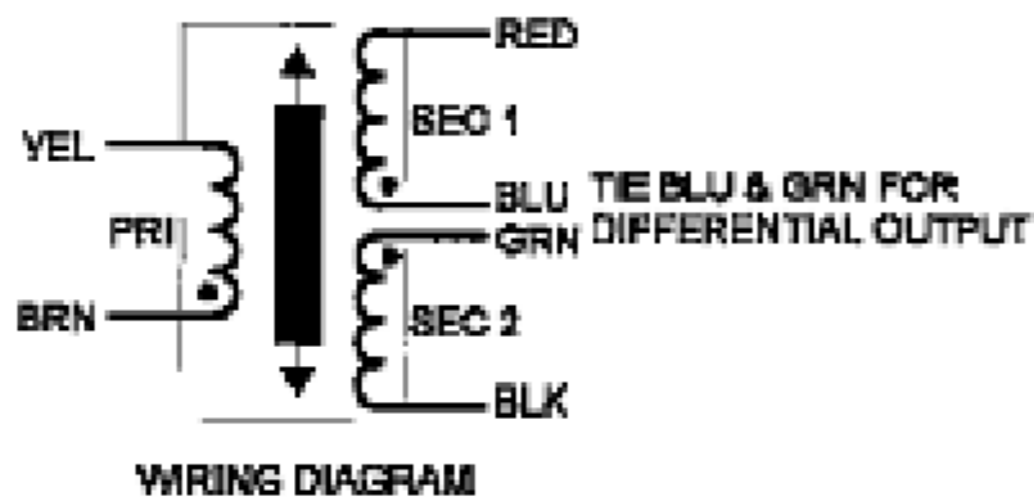
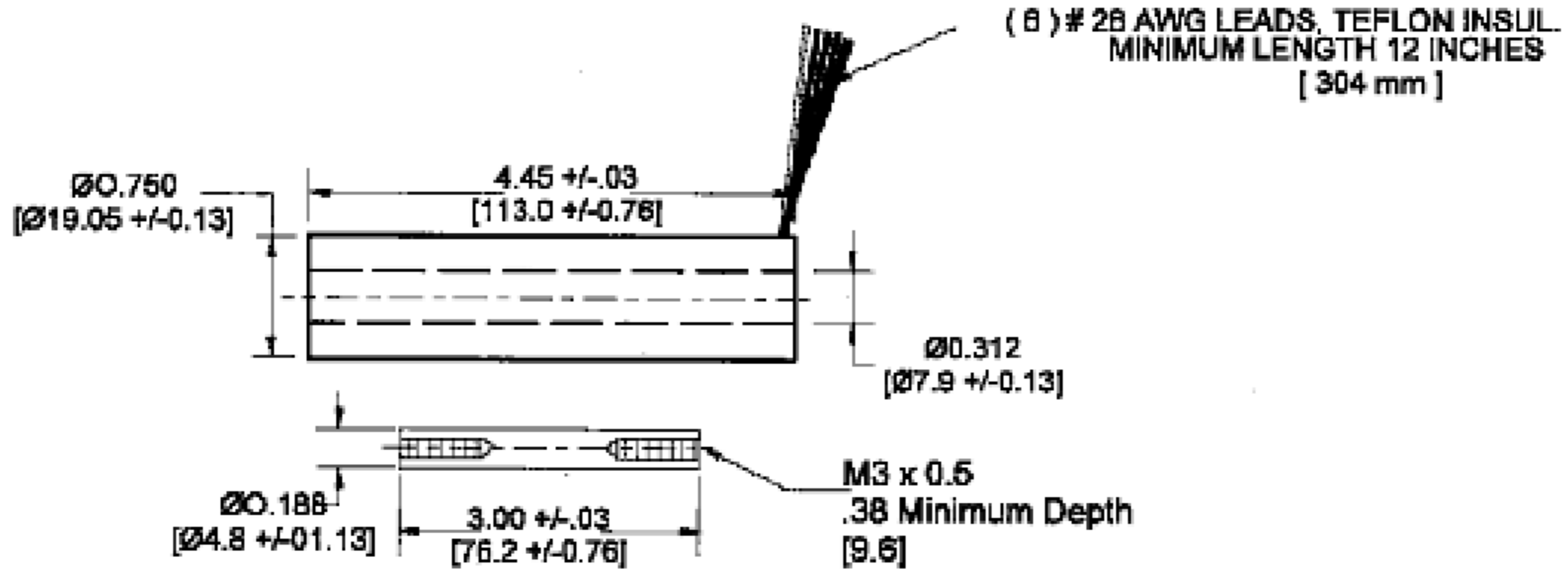


REVISIONS					
P	LTR	DESCRIPTION	DATE	DWN	APVD
	A	-	-	-	-

SPECIFICATIONS

INPUT VOLTAGE: 3.0
 INPUT FREQUENCY: 2.5 kHz
 ELECTRICAL STROKE: ± 0.500" [12.52]
 SENSITIVITY: 0.70 mV / VOLT / 001"
 SENSITIVITY: 27.5 mV / VOLT / m m
 LINEARITY: 0.50% OF FULL RANGE
 PHASE SHIFT: +4.0 DEGREES
 PRIMARY IMPEDANCE: 755 OHMS
 SECONDARY IMPEDANCE: 330 OHMS

REVISIONS			
REV.	DESCRIPTION	DATE:	APPR.
A	REQUIRED LENGTH PER MICRORCA # 001	01/02/02	R.E.A.



[] DENOTES MILLIMETER

UNLESS OTHERWISE SPECIFIED ALL DIMENSIONS ARE IN INCHES TOLERANCES ARE: ANGLES: ± 0.5 DEG. DECIMAL: .001 FRACTIONS: 1/32 .001-1/32 .001-1/16	DRAFTSMAN: R.E.A. DATE: 01/02/02	Macro Sensors Div. of Howard A. Schwartz Technologies, Inc.		
	CHECKER: DATE:	TITLE PR 750 500-0512 OUTLINE		
	APPROVED: DATE:	A	D.A.G.E. No. 06WV0	DRAWING No. 015912556000
	FINISH:	APPROVED: DATE:	SCALE: NCHB	SHEET No. 1 of 1

MATERIAL:

THIS DRAWING IS A CONTROLLED DOCUMENT.		DWN	-		
DIMENSIONS: INCHES		CHK	-		
TOLERANCES UNLESS OTHERWISE SPECIFIED:		APVD	-	NAME	
0 PLC ± -		PRODUCT SPEC	-	PR 750 500-0512	
1 PLC ± -		APPLICATION SPEC	-	OUTLINE	
2 PLC ± -		SCALE	NTS	SIZE	A2
3 PLC ± -		WEIGHT	-	CAGE CODE	00779
4 PLC ± -		CUSTOMER DRAWING	-	DRAWING NO.	015912556000
ANGLES ± -		RESTRICTED TO	-	REV	A
FINISH		SCALE	NTS	SHEET	1 of 1