

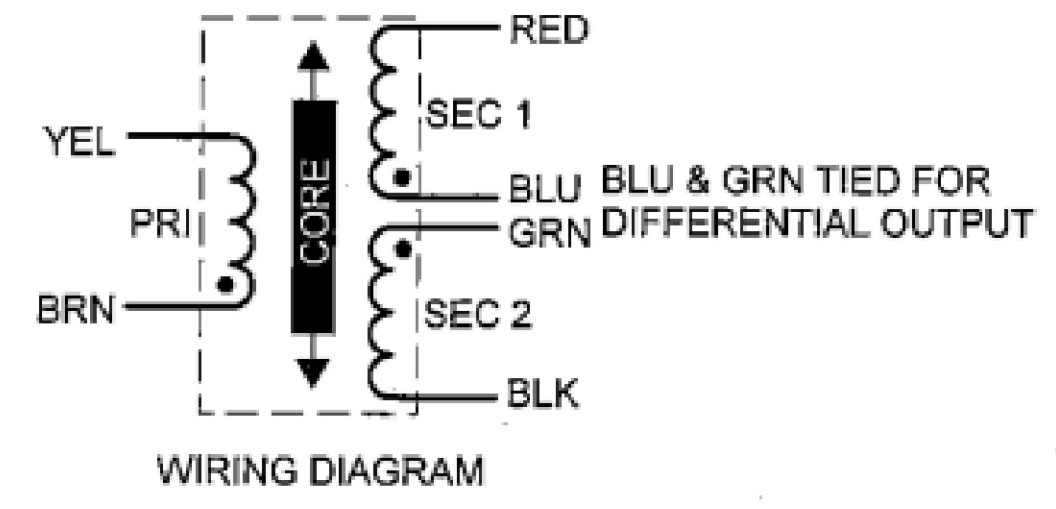
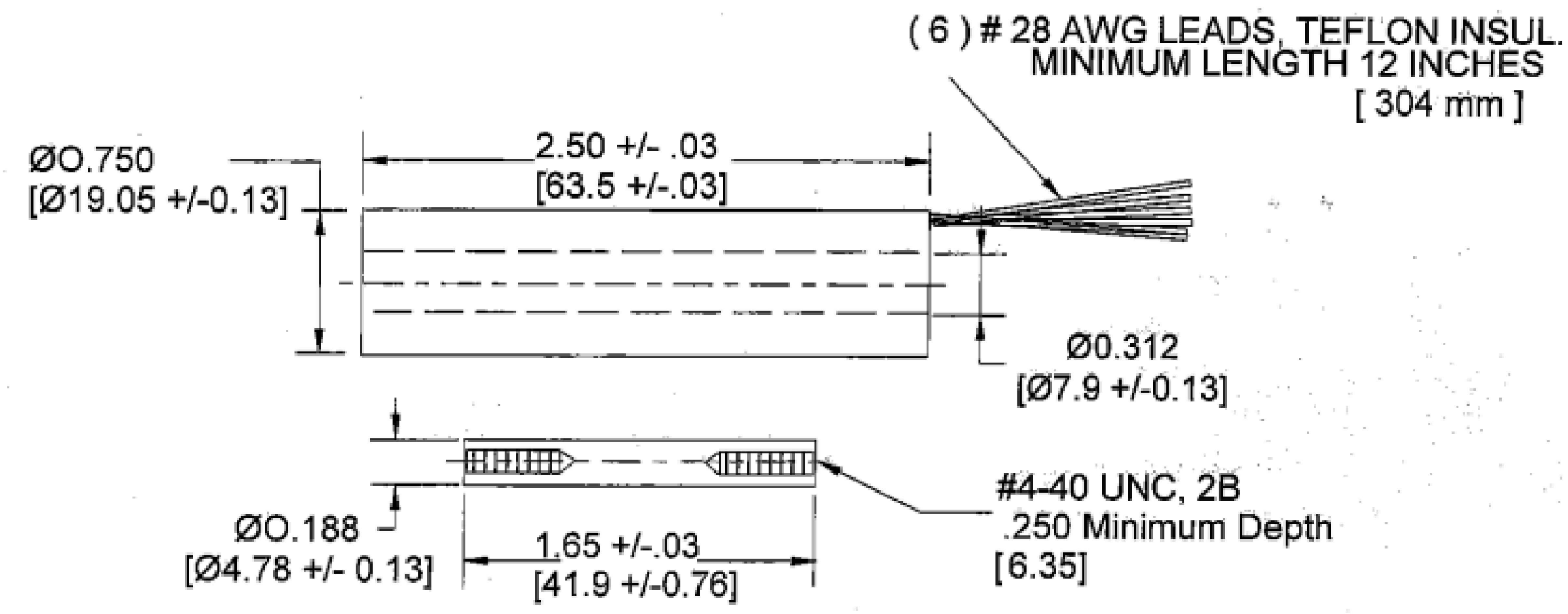
P	LTR	DESCRIPTION	DATE	DWN	APVD
-	-	-	-	-	-

SPECIFICATIONS

INPUT VOLTAGE : 3.0 Vrms
 INPUT FREQUENCY : 2.5 KHz
 ELECTRICAL STROKE : ± 0.200 INCH [5.08 mm]
 SENSITIVITY : 2.4 mV / VOLT / .001 INCH
 SENSITIVITY : 94.5 mV / VOLT / mm
 NON-LINEARITY : ± 0.25% OF FULL RANGE
 PHASE SHIFT : - 8.0 DEG
 PRIMARY IMPEDANCE : 1110 OHMS
 SECONDARY IMPEDANCE : 3645 OHMS

REVISIONS

REV.	DESCRIPTION	DATE:	APPR.
-	INITIAL RELEASE	-	-
A	REVISED PER ECN # 798	10-01-2006	M.F.G.



UNLESS OTHERWISE SPECIFIED
 ALL DIMENSIONS ARE IN INCHES
 TOLERANCES ARE:
 ANGLES: +/- 0.5 DEG. FRACTIONS: +/- 1/64.
 DECIMAL:
 .XX = +/- .01
 .XXX = +/- .005

This Drawing and Specifications are the property of
 Macro Sensors,
 Div. of Howard A. Schaeffler Technologies, Inc.
 DO NOT COPY
 without the written approval of Macro Sensors.

FINISH:

DRAWN BY: M.F.G.
 DATE: AUG 21 - 2006
 CHECKER:
 DATE:
 APPROVED: [Signature]
 DATE: Aug 21 - 06
 APPROVED:
 DATE:
 APPROVED:
 DATE:

Macro Sensors
 Div. of Howard A. Schaeffler Technologies, Inc.

TITLE: **OUTLINE**
 PR 750 200 - 0759

C.A.G.E. No. **A 06WWD** DRAWING No. **015912520759**

SCALE: NONE SHEET No. 1 of 1

MATERIAL:

THIS DRAWING IS A CONTROLLED DOCUMENT.

DIMENSIONS:	TOLERANCES UNLESS OTHERWISE SPECIFIED:
INCHES	0 PLC ± -
	1 PLC ± -
	2 PLC ± -
	3 PLC ± -
	4 PLC ± -
	ANGLES ± -
MATERIAL	FINISH

TE Connectivity

NAME: OUTLINE PR 750 200-0759

SIZE: A2 CAGE CODE: 00779 DRAWING NO: C=015912520759 RESTRICTED TO: -

CUSTOMER DRAWING SCALE: NTS SHEET: 1 of 1 REV: A