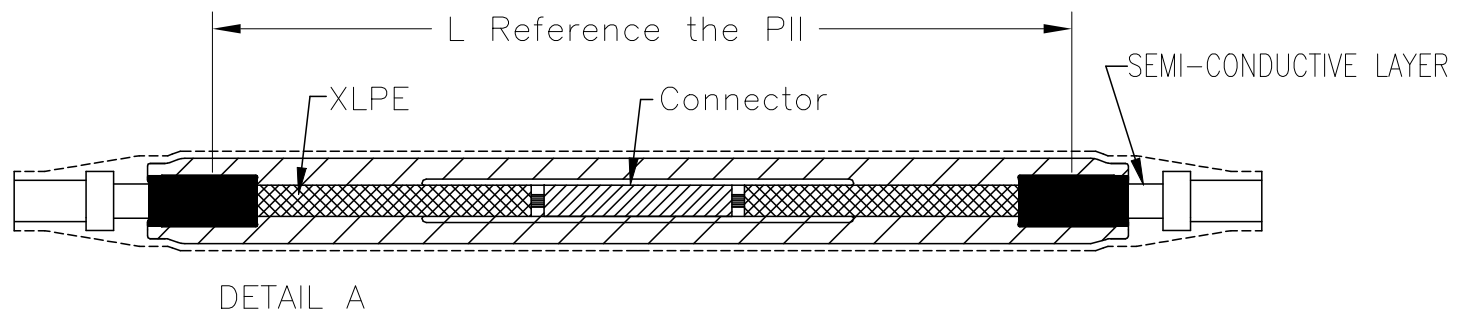
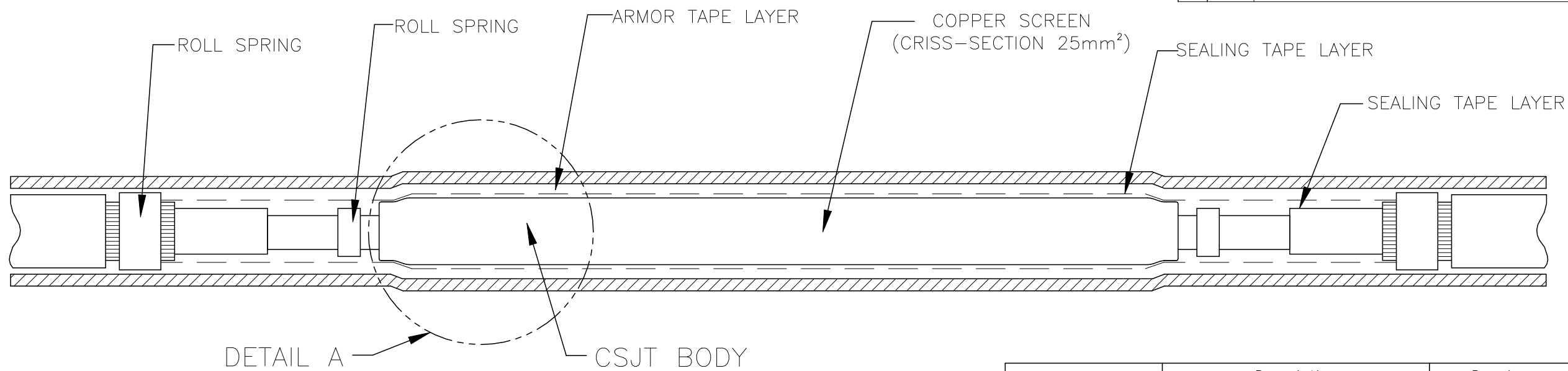


P	LTR	DESCRIPTION	DATE	DWN	APVD
1		NEW DRAWING	14MAR2022	GSK	RS



Part No.	Description	Drawing	Cable	Voltage(kV)
2084948-1	CSJT-10-5015-SC	EPP-2293	1-core	8.7/15/(17.5)
2084948-2	CSJT-10-1830-SC	EPP-2293	1-core	8.7/15/(17.5)
2084948-6	CSJT-10-4063-SC	EPP-2293	1-core	8.7/15/(17.5)
2084948-4	CSJT-10-400-SC	EPP-2293	1-core	8.7/15/(17.5)
2084948-5	CSJT-10-500-SC	EPP-2293	1-core	8.7/15/(17.5)
CP7063-000	CSJT-24-3595-SC	EPP-2293	1-core	12/20/(24)
CP7064-000	CSJT-24-1230-SC	EPP-2293	1-core	12/20/(24)
CP7065-000	CSJT-24-4063-SC	EPP-2293	1-core	12/20/(24)
CP7066-000	CSJT-24-500-SC	EPP-2293	1-core	12/20/(24)
2197671-3	CSJT-35-630-SC-CN	EPP-2293	1-core	26/35/(40.5)
2197671-6	CSJT-35-400-SC-CN	EPP-2293	1-core	26/35/(40.5)
2197671-7	CSJT-35-500-SC-CN	EPP-2293	1-core	26/35/(40.5)
2197861-1	CSJT-35-9515-SC-CN	EPP-2293	1-core	26/35/(40.5)
2197861-2	CSJT-35-3570-SC-CN	EPP-2293	1-core	26/35/(40.5)
2197862-1	CSJT-35-1830-SC-CN	EPP-2293	1-core	26/35/(40.5)
2259751-1	CSJT-27.5-150-SC	EPP-2293	1-core	27.5/52
2259751-2	CSJT-27.5-185-SC	EPP-2293	1-core	27.5/52
2259751-3	CSJT-27.5-240-SC	EPP-2293	1-core	27.5/52
2259751-4	CSJT-27.5-300-SC	EPP-2293	1-core	27.5/52
2259751-5	CSJT-27.5-400-SC	EPP-2293	1-core	27.5/52

VOLTAGE(KV)
8.7/15/(17.5)
12/20/(24)
26/35/(40.5)
27.5/52

THIS DRAWING IS A CONTROLLED DOCUMENT.

DIMENSIONS: mm	TOLERANCES UNLESS OTHERWISE SPECIFIED: 0 PLC ± - 1 PLC ± - 2 PLC ± - 3 PLC ± - 4 PLC ± - ANGLES ± -	DWN 14MAR2022 SATHISH KUMAR G CHK 14MAR2022 RAMÓN SÁNCHEZ APVD 14MAR2022 RAMÓN SÁNCHEZ PRODUCT SPEC APPLICATION SPEC WEIGHT		
MATERIAL	FINISH	NAME One Core Cold Shrink Joint		RESTRICTED TO
		SIZE A3 CAGE CODE 00779 DRAWING NO C-0150-CSJT-1CORE		
		CUSTOMER DRAWING		SCALE NTS SHEET 1 OF 1 REV 1