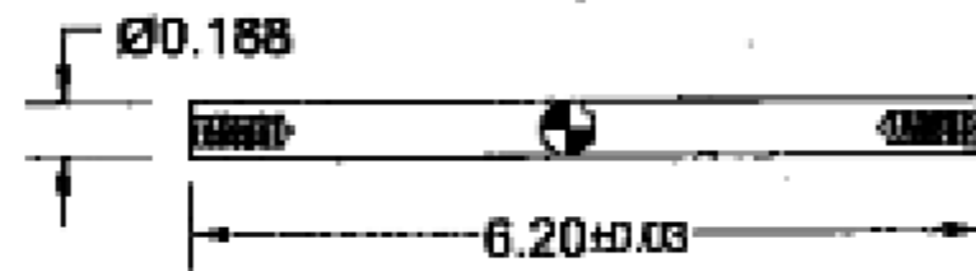
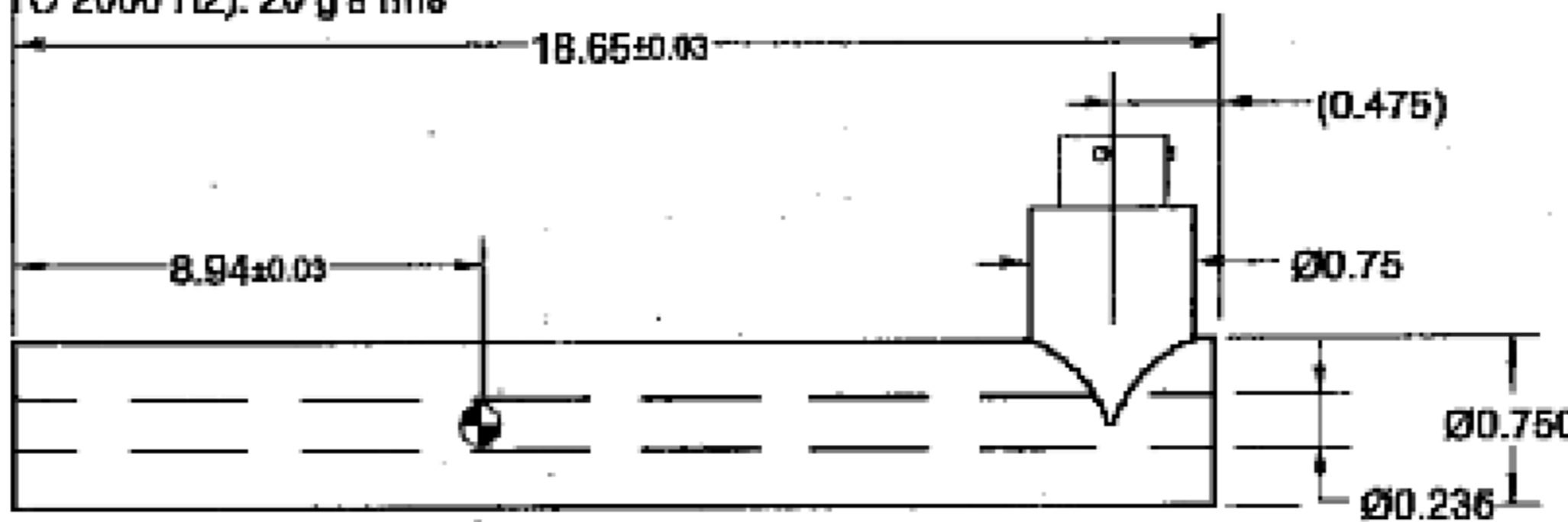


P	LTR	DESCRIPTION	DATE	DWN	APVD
	A				

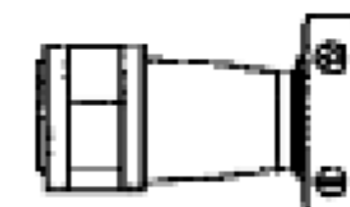
SPECIFICATIONS

- INPUT VOLTAGE: 3.0 V rms (NOM)
- INPUT FREQUENCY: 2.5 KHz (NOM)
- ELECTRICAL STROKE: +/- 5.00 INCHES
- SENSITIVITY: .11 mV/VOLT/.001 INCH
- NON-LINEARITY: ± 0.25 % OF FULL RANGE (MAX)
- PHASE SHIFT: 0°
- IMPEDANCE:
 - PRIMARY: 600 OHMS (NOM)
 - SECONDARY: 550 OHMS (NOM)
- OPERATING TEMPERATURE: -20° TO 300° F
- SHOCK SURVIVAL: 1000 g's, 11ms
- VIBRATION (20 TO 2000 Hz): 20 g's rms

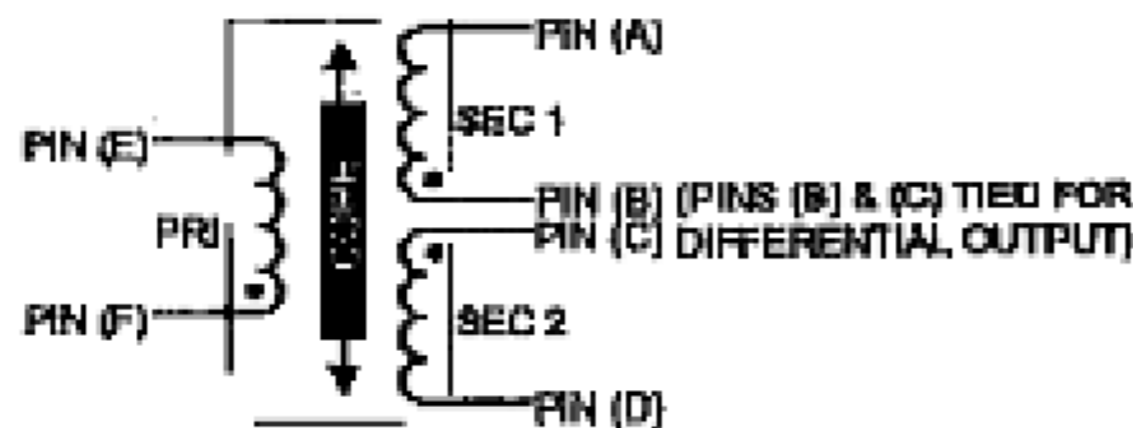
REVISIONS			
REV.	DESCRIPTION	DATE	APPR.
A	REMOVED PER EMISSION UNIT	11/20/11	REA



4-40 UNC, 2B
 .38 Dp MIN.
 BOTH ENDS MATING CONNECTOR SUPPLIED



⊙ DENOTES CENTER OF CORE AT ELECTRICAL MID POINT



WIRING DIAGRAM

<small>UNLESS OTHERWISE SPECIFIED ALL DIMENSIONS ARE IN INCHES TOLERANCES ARE AS FOLLOWS: ANGLES: FRACTIONS: ±.01 DEC. ±.004.</small> <small>UNC FINISH: EX: ±.01 XCC: ±.004</small> <small>Material specifications and property of this product, its use and its application are the responsibility of the user. The manufacturer is not responsible for any damage or loss resulting from the use of this product in any application.</small>	<small>DESIGNED BY</small> L.H.P.	<small>DATE:</small> 21 JUL 11	Macro Sensors <small>Div. of Howard A. Schwab Technologies, Inc.</small>	
	<small>CHECKED BY</small> .	<small>DATE:</small>		
	<small>APPROVED BY</small>	<small>DATE:</small>	<small>CAGE NO.</small> A 08VWQ	<small>DRAWING NO.</small> 010915080000
	<small>APPROVED BY</small>	<small>DATE:</small>	<small>SCALE: NTS</small>	

THIS DRAWING IS A CONTROLLED DOCUMENT.		DWN	-		NAME			
DIMENSIONS: INCHES		CHK	-		HSAR 750 5000 OUTLINE			
TOLERANCES UNLESS OTHERWISE SPECIFIED: 0 PLC ± - 1 PLC ± - 2 PLC ± - 3 PLC ± - 4 PLC ± - ANGLES ± - FINISH		APVD	-		SIZE	CAGE CODE	DRAWING NO	RESTRICTED TO
MATERIAL		PRODUCT SPEC	-		A2	00779	C=010915080000	-
		APPLICATION SPEC	-	CUSTOMER DRAWING		SCALE	SHEET	REV
		WEIGHT	-	NTS		1	1	A