

SPECIFICATIONS

INPUT VOLTAGE: 3.0 V rms (NOM)
 INPUT FREQUENCY: 2.5 KHz(NOM)
 ELECTRICAL STROKE(IN): ±0.50 INCHES (STD,-010 OPTIONS)
 SENSITIVITY(IN): 0.627 mV/V/.001 INCH NOM(STD,-010)
 ELECTRICAL STROKE(mm): ±12.50mm (-006,-016 OPTIONS)
 SENSITIVITY(mm): 24.6 Mv/V/mm NOM (-006,-016)
 LINEARITY ERROR: ±0.25% OF FULL RANGE (MAX)
 PHASE SHIFT: -1°
 IMPEDANCE;
 PRIMARY: 1200 OHM (NOM)
 SECONDARY: 650 OHM (NOM)
 OPERATING TEMP: -65° TO 400°F (-55° TO 200°C)
 SHOCK SURVIVAL: 1000 G's, 11ms
 VIBRATION: 20 G UP TO 2 KHz

NOTES:

1. IDENTIFY UNIT (APPROX AREA AS SHOWN) WITH THE FOLLOWING;

TE CONNECTIVITY
HERMOSILLO MEXICO
HSTAR-750-500-XXX
SN XXXXXX

2. LAST 3 DIGITS OF MODEL DESIGNATION SPECIFIES A OPTION. OMIT LAST 3 DIGITS AND DASH FOR STANDARD (STD) INCH MODEL, SEE TABLE.
3. TEF BLNR = TEFLON BORELINER (SEE TABLE, OPTIONS -010 & -016).

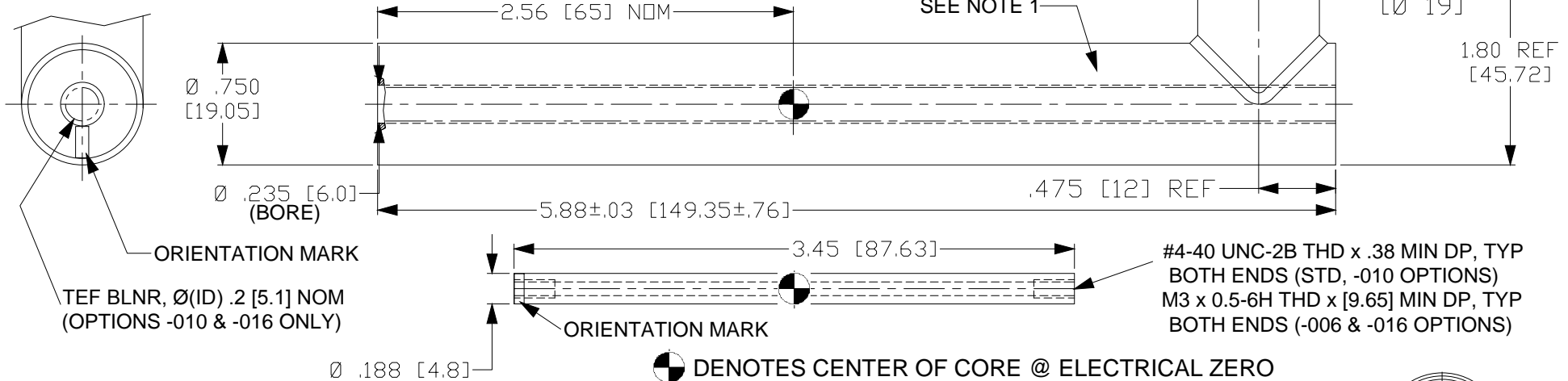
REVISIONS

ZONE	REV	DESCRIPTION	DATE	APPROVED
--	--	INITIAL RELEASE	02-MAY-2012	
--	A	REDRAWN WITH NO CHANGES	12-NOV-2020	

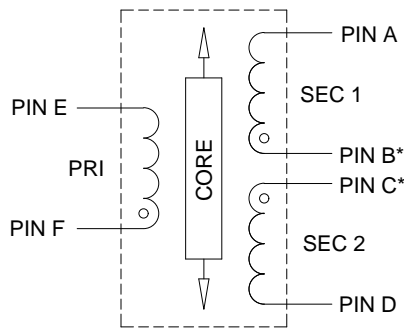
DWG NO.

010914530000

[] DENOTES MILLIMETER

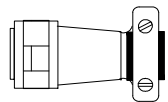


WIRING DIAGRAM



* TIE PIN "B" & "C" FOR DIFFERENTIAL OUTPUT

MODEL DESIGNATION	PART NUMBER	MODEL DESCRIPTION (OPTION REF)
HSTAR-750-500	010314530000	±0.50 INCH STROKE/#4-40 THD CORE (STD, SEE NOTE 2)
HSTAR-750-500-006	010314530006	±12.50mm STROKE/M3 THD CORE (-006)
HSTAR-750-500-010	010314530010	±0.50 INCH STROKE/TEF BLNR/#4-40 THD CORE (-010)
HSTAR-750-500-016	010314530016	±12.50mm STROKE/TEF BLNR/M3 THD CORE (-016)



MATING CONNECTOR & BACK SHELL SUPPLIED (SCALE 1/2)

This Drawing & Specifications are the property of TE Connectivity, Div of Howard A. Schaevitz Technologies, Inc. DO NOT COPY without the written approval of TE Connectivity.

UNLESS OTHERWISE SPECIFIED, DIMENSIONS ARE IN INCHES. TOLERANCES ARE :

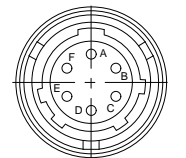
ANGLES : ± 2° FRACTIONS : ± 1/64
 DECIMALS : .XX ± .010
 .XXX ± .005

MATERIAL : FINISH :

DRAFTER: DSC	DATE: 02-MAY-2012
CHECKER:	DATE:
APPROVED: DSC	DATE: 02-MAY-2012
APPROVED:	DATE:

TITLE: OUTLINE, HSTAR-750-500 SERIES OPTIONS,(STANDARD),-006,-010,-016

SIZE: A	FSCM NO.: 06WW0	DWG NO.: 010914530000	REV: A
SCALE: NTS (1/1)		TurboCAD	SHEET NO: 1 OF 1



CONNECTOR (TOP VIEW)



TE CONNECTIVITY