

SPECIFICATIONS

INPUT VOLTAGE: 3.0 V rms (NOM)
INPUT FREQUENCY: 2.5 KHz(NOM)
ELECTRICAL STROKE(IN): ±7.50 INCHES (STD,-010 OPTIONS)
SENSITIVITY(IN): 0.105 mV/V/.001 INCH NOM(STD,-010)
ELECTRICAL STROKE(mm): ±190.00mm (-006,-016 OPTIONS)
SENSITIVITY(mm): 4.30 Mv/V/mm NOM (-006,-016)
LINEARITY ERROR: ±0.25% OF FULL RANGE (MAX)
PHASE SHIFT: -3°
IMPEDANCE;
PRIMARY: 650 OHM (NOM)
SECONDARY: 730 OHM (NOM)
OPERATING TEMP: -65° TO 220°F (-55° TO 105°C)

NOTES:

- ELECTRO-ETCH UNIT (APPROX AREA AS SHOWN) WITH THE FOLLOWING;

TE CONNECTIVITY
HERMOSILLO, MEXICO
HSA-750-7500-XXX
SN XXXXXX

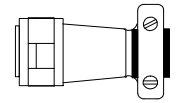
MODEL OPTION, SEE TABLE & NOTE 2
- LAST 3 DIGITS OF MODEL DESIGNATION SPECIFIES A OPTION. OMIT LAST 3 DIGITS & DASH FOR STANDARD (STD) INCH MODEL, SEE TABLE.
- TEF BLNR = TEFLON BORELINER (SEE TABLE, OPTIONS -010 & -016).

REVISIONS

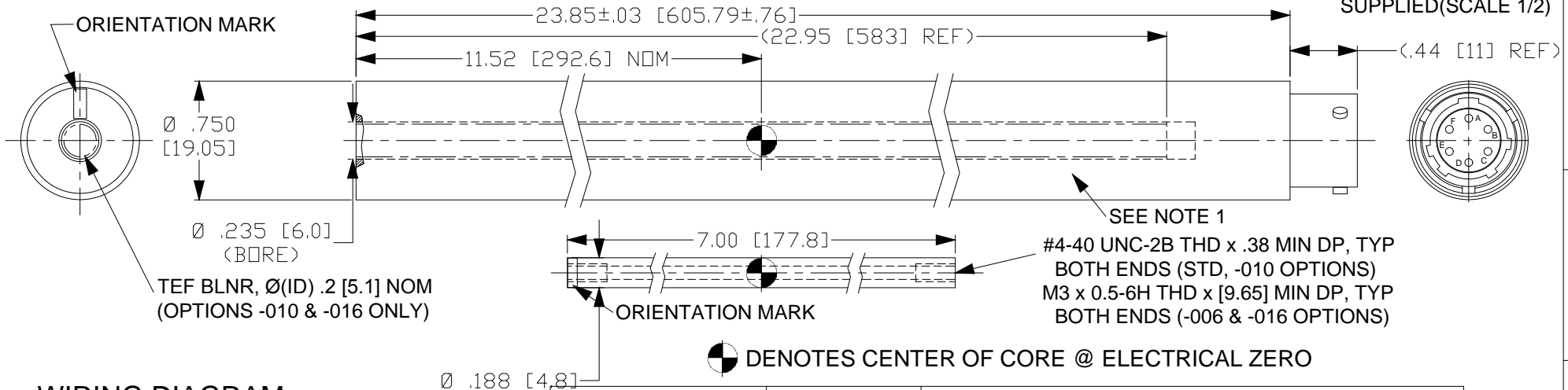
DWG NO.

010914120000

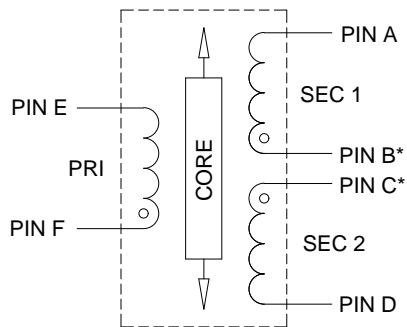
ZONE	REV	DESCRIPTION	DATE	APPROVED
--	--	INITIAL RELEASE	30-DEC-1999	REA
	A	REVISED PER ECN# 0535	06-AUG-2002	REA
	B	REVISED/REDRAWN, SEE ECN# 1861	18-MAR-2013	
	B1	REDRAWN WITH NO CHANGES	16-OCT-2020	



MATING CONNECTOR SUPPLIED(SCALE 1/2)



WIRING DIAGRAM



[] DENOTES MILLIMETER

This Drawing & Specifications are the property of TE Connectivity. DO NOT COPY without the written approval of TE Connectivity.

MODEL DESIGNATION	PART NUMBER	MODEL DESCRIPTION (OPTION REF)
HSA-750-7500	010314120000	±7.50 INCH STROKE/#4-40 THD CORE (STD, SEE NOTE 2)
HSA-750-7500-006	010314120006	±190.00mm STROKE/M3 THD CORE (-006)
HSA-750-7500-010	010314120010	±7.50 INCH STROKE/TEF BLNR/#4-40 THD CORE (-010)
HSA-750-7500-016	010314120016	±190.00mm STROKE/TEF BLNR/M3 THD CORE (-016)

UNLESS OTHERWISE SPECIFIED, DIMENSIONS ARE IN INCHES.

TOLERANCES ARE :

ANGLES : ± 2° FRACTIONS : ± 1/64

DECIMALS : .XX ± .010
.XXX ± .005

MATERIAL :

FINISH :

DRAFTER: REA
DATE: 30-DEC-1999

CHECKER: DATE:

APPROVED: DATE:

APPROVED: DATE:

APPROVED: DATE:



TITLE:
OUTLINE, HSA-750-7500 SERIES
OPTIONS, (STD), -006, -010, -016

SIZE: A FSCM NO. 06WWO DWG NO. 010914120000 REV B1

SCALE: NTS (1/1) ZWCAD SHEET NO: 1 OF 1