

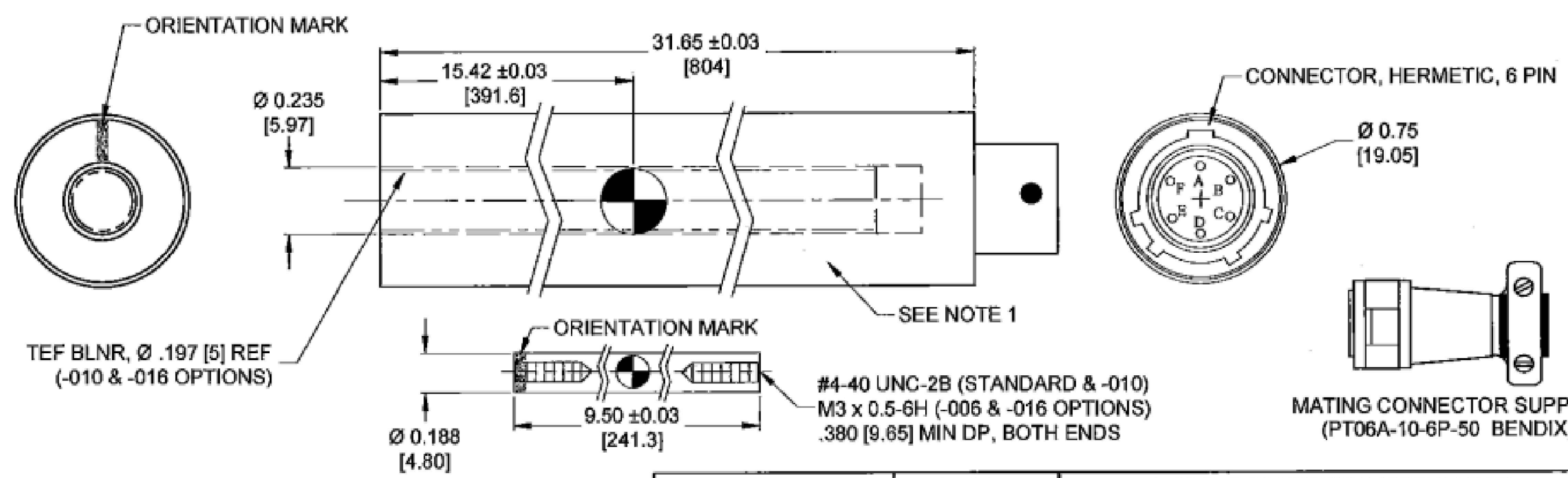
P	LTR	DESCRIPTION	DATE	DWN	APVD
-	-	-	-	-	-

**SPECIFICATIONS**  
 INPUT VOLTAGE: 3.0  
 INPUT FREQUENCY: 2.5 KHZ  
 ELECTRICAL STROKE: ±10.00 INCHES(STD,-010)  
 [±250.00 mm] (-006,-016)  
 SENSITIVITY: 0.075 mV/VOLT/0.01inch(STD,-010)  
 [2.9 mV/VOLT/mm] (-006,-016)  
 LINEARITY: ±0.25% OF FULL RANGE  
 PHASE SHIFT: -2°  
 IMPEDANCE:  
 PRIMARY: 620 OHM  
 SECONDARY: 760 OHM  
 OPERATING TEMP: -65°F TO +220°F  
 [-55°C TO +105°]

**NOTES:**  
 1. ELECTRO-ETCH UNIT (APPROX AREA AS SHOWN) WITH THE FOLLOWING; MACRO SENSORS PENNSAUKEN, NJ HSA-750-10000-XXX SN XXXXXX  
 2. TEF BLNR = TEFLON BORELINER (SEE TABLE, OPTIONS -010 & -016).  
 3. LAST 3 DIGITS OF MODEL DESIGNATION SPECIFIES AN OPTION, OMIT LAST 3 DIGITS & DASH FOR STANDARD INCH MODEL, SEE TABLE.

REVISIONS		DWG NO. 010914100000		
ZONE	REV	DESCRIPTION	DATE	APPROVED
--	--	INITIAL RELEASE	29-OCT-1996	REA
	A	REVISED PER ECN# 0078	30-JUL-1999	REA
	B	REVISED/REDRAWN PER ECN# 1785	16-JUL-2012	DSC

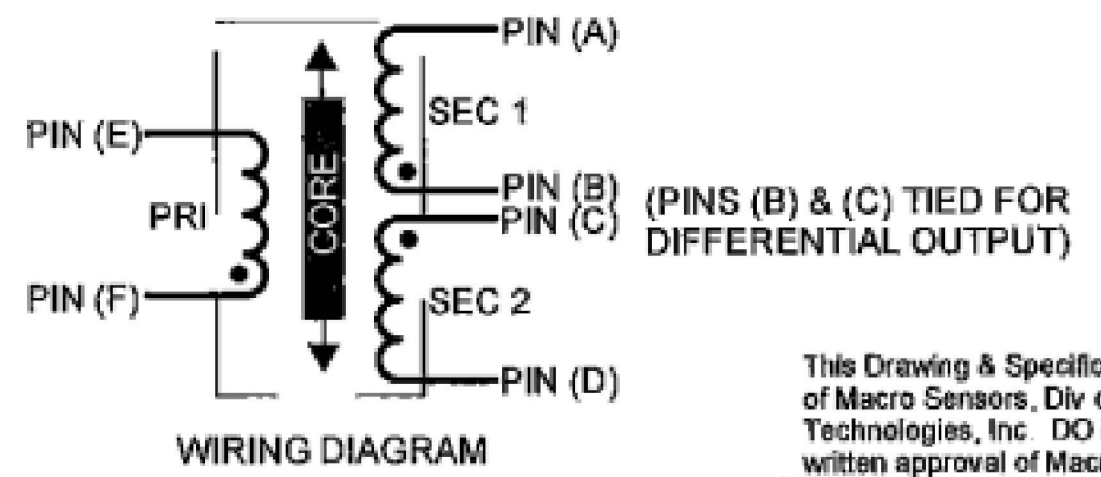
MODEL OPTION, SEE TABLE & NOTE 3



TEF BLNR, Ø .197 [5] REF (-010 & -016 OPTIONS)

⊙ DENOTES CENTER OF CORE AT ELECTRICAL MID POINT  
 [ ] DENOTES MILLIMETER

MODEL DESIGNATION	PART NUMBER	MODEL DESCRIPTION (OPTION REF)
HSA-750-10000	010314100000	±10.0 INCH STROKE/#4-40 THD CORE (SEE NOTE 3)
HSA-750-10000-006	010314100006	±250.00 mm STROKE/M3 THD CORE (-006)
HSA-750-10000-010	010314100010	±10.0 INCH STROKE/TEF BLNR/#4-40 THD CORE (-010)
HSA-750-10000-016	010314100016	±250.00 mm STROKE/TEF BLNR/M3 THD CORE (-016)



This Drawing & Specifications are the property of Macro Sensors, Div of Howard A. Schaevitz Technologies, Inc. DO NOT COPY without the written approval of Macro Sensors.

UNLESS OTHERWISE SPECIFIED, DIMENSIONS ARE IN INCHES. TOLERANCES ARE: ANGLES: ±2° FRACTIONS: ±1/64 DECIMALS: .XX ±.010 .XXX ±.005	DRAFTER: REA	DATE: 29-OCT-1996	<b>MACRO SENSORS</b> A DIVISION OF HOWARD A. SCHAEVITZ TECHNOLOGIES, INC. 196 - 662 - 8000 www.macrosensors.com			
	CHECKER:	DATE:				
	MATERIAL:	APPROVED:	DATE:	TITLE: OUTLINE, HSA-750-10000 SERIES (STANDARD,-006,-010,& -016 MODELS)		
	FINISH:	APPROVED:	DATE:	SIZE: A	FSCM NO.: 06WW0	DWG NO.: 010914100000
			SCALE: NTS (1/1)	SHEET NO: 1 OF 1		

THIS DRAWING IS A CONTROLLED DOCUMENT.		DWN	-		NAME		OUTLINE, HSA-750-10000 SERIES (STANDARD, -006, -010, & -016 MODELS)	
DIMENSIONS: INCHES		CHK	-		PRODUCT SPEC		-	
TOLERANCES UNLESS OTHERWISE SPECIFIED:		APVD	-		APPLICATION SPEC		-	
0 PLC ± - 1 PLC ± - 2 PLC ± - 3 PLC ± - 4 PLC ± - ANGLES ± -		WEIGHT	-		SIZE: A2	CAGE CODE: 00779	DRAWING NO: C=010914100000	RESTRICTED TO: -
MATERIAL: -		FINISH: -	CUSTOMER DRAWING		SCALE: NTS	SHEET: 1 of 1	REV: B	