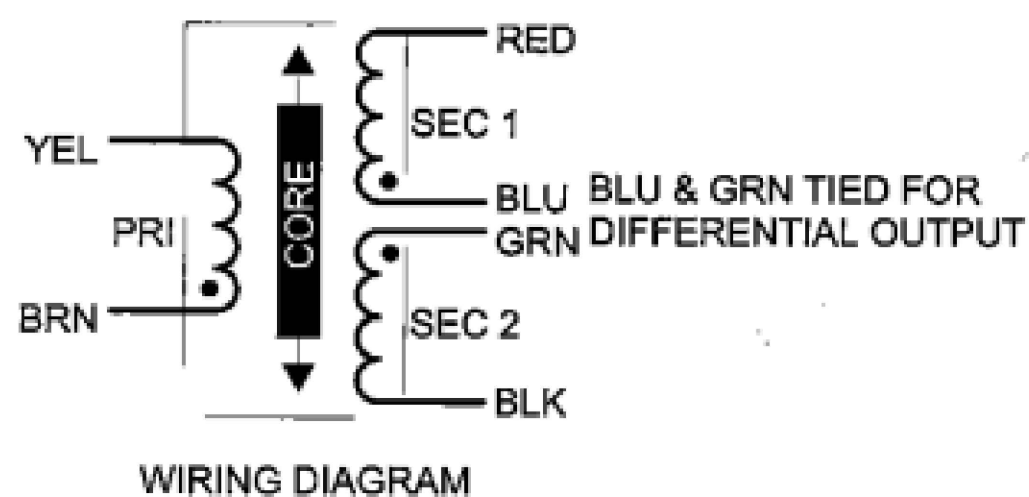
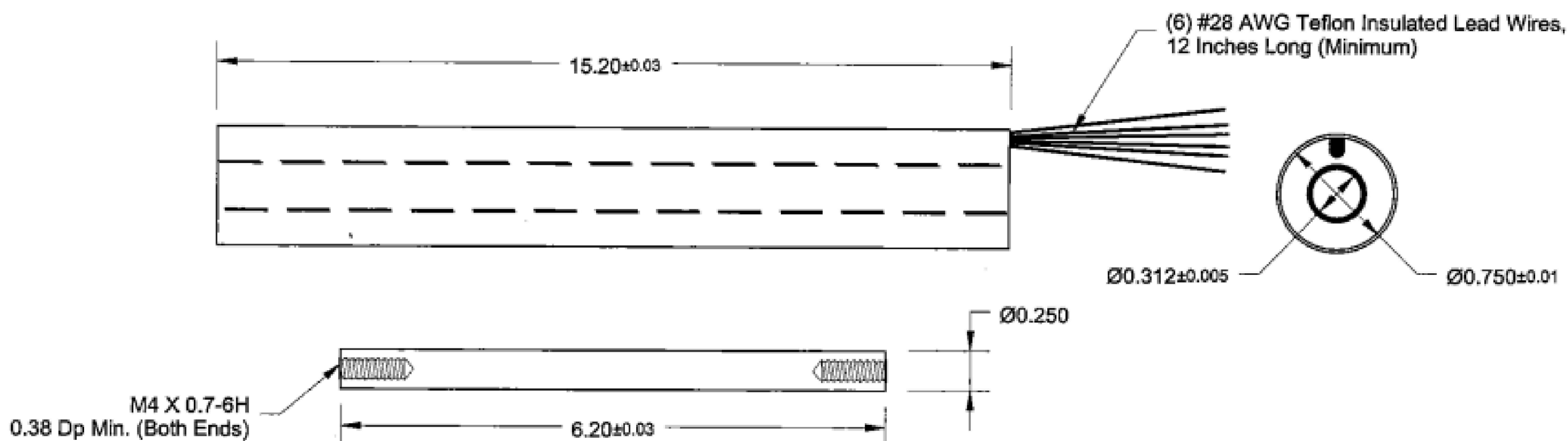


REVISIONS				
P	LTR	DESCRIPTION	DATE	APVD
-	-	-	-	-

SPECIFICATIONS

INPUT VOLTAGE: 3.0
 INPUT FREQUENCY: 2.5 KHz
 ELECTRICAL STROKE: +/- 4.000" [102.0]
 SENSITIVITY: .18 mv / VOLT / .001"
 SENSITIVITY: 7.1 mv / VOLT / m m
 LINEARITY: 0.25% OF FULL RANGE
 PHASE SHIFT: - 2 DEGREES
 PRIMARY IMPEDANCE: 430 OHMS
 SECONDARY IMPEDANCE: 470 OHMS

REVISIONS			
REV.	DESCRIPTION	DATE	APPR.



UNLESS OTHERWISE SPECIFIED ALL DIMENSIONS ARE IN INCHES
 TOLERANCES ARE:
 ANGLES: FRACTIONS:
 +/- 0.5 DEG. +/- 1/64.
 DECIMAL:
 .XX= +/- .01
 .XXX= +/- .005

This Drawing and Specifications are the property of Macro Sensors, Div. of Howard A. Schaeffler Technologies, Inc. DO NOT COPY without the written approval of Macro Sensors.

DRAFTSMAN: R.E.A.	DATE: 08 MAR 00
CHECKER:	DATE:
APPROVED:	DATE:
APPROVED:	DATE:
APPROVED:	DATE:

Macro Sensors Div. of Howard A. Schaeffler Technologies, Inc.	
TITLE PR 750 4000-0006 OUTLINE	
C.A.G.E. No. A 06WW0	DRAWING No. 010912580006
SCALE: NONE	SHEET No. 1 of 1

MATERIAL:

THIS DRAWING IS A CONTROLLED DOCUMENT.	
DIMENSIONS: INCHES	TOLERANCES UNLESS OTHERWISE SPECIFIED:
	0 PLC ± -
	1 PLC ± -
	2 PLC ± -
	3 PLC ± -
	4 PLC ± -
ANGLES	± -
MATERIAL	FINISH

DWN	-	TE TE Connectivity
CHK	-	
APVD	-	
PRODUCT SPEC	-	
APPLICATION SPEC	-	NAME PR 750 4000-0006 OUTLINE
WEIGHT	A2 00779	SIZE CAGE CODE DRAWING NO RESTRICTED TO A2 00779 C=010912580006 -
CUSTOMER DRAWING	SCALE NTS	SHEET 1 of 1 REV -