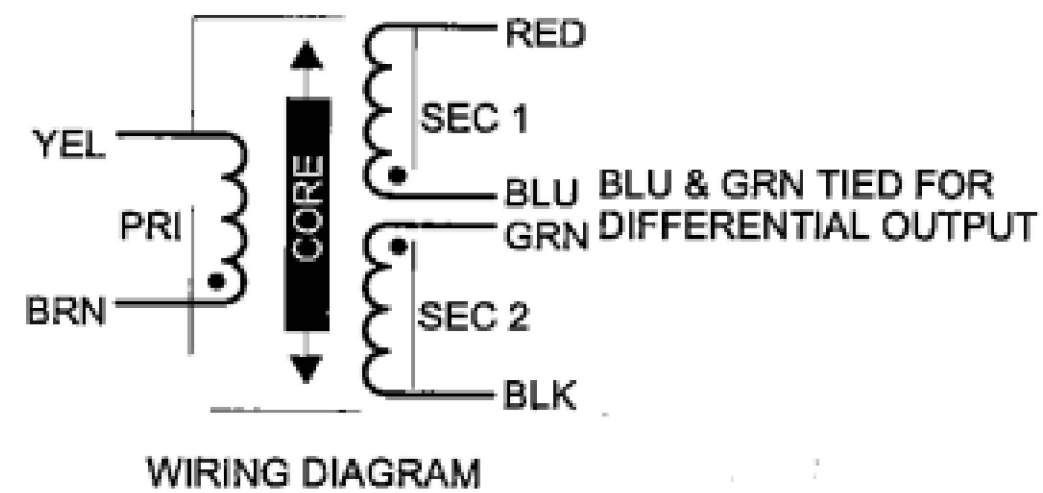
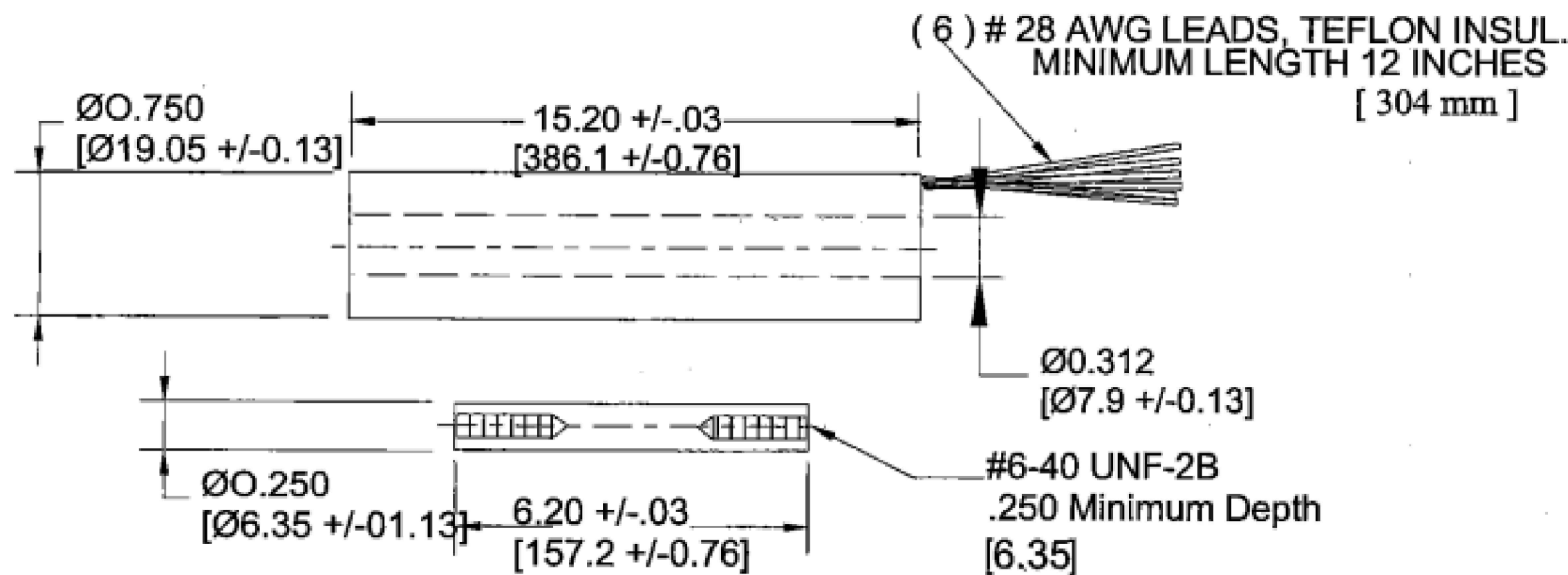


P	LTR	DESCRIPTION	DATE	DWN	APVD
B	-			-	-

**SPECIFICATIONS**

INPUT VOLTAGE: 3.0  
 INPUT FREQUENCY: 2.5 KHz  
 ELECTRICAL STROKE: +/- 4.000" [ 102.0 ]  
 SENSITIVITY: .18 mv / VOLT / .001"  
 SENSITIVITY: 7.1 mv / VOLT / m m  
 LINEARITY: 0.25% OF FULL RANGE  
 PHASE SHIFT: - 2 DEGREES  
 PRIMARY IMPEDANCE: 430 OHMS  
 SECONDARY IMPEDANCE: 470 OHMS

REVISIONS			
REV.	DESCRIPTION	DATE	APPR.
A	LENGTH WAS 15.17 [385.3]	11/19/97	R.E.A.
B	REDRAWN WITHOUT CHANGE	7/17/98	R.E.A.



[ 1 ] DENOTES MILLIMETER

UNLESS OTHERWISE SPECIFIED ALL DIMENSIONS ARE IN INCHES  
 TOLERANCES ARE:  
 ANGLES: +/- 0.5 DEG.      FRACTIONS: +/- 1/64.  
 DECIMAL:  
 .XX = +/- .01  
 .XXX = +/- .005

This Drawing and Specifications are the property of Macro Sensors, Div. of Howard A. Schaevitz Technologies, Inc. DO NOT COPY without the written approval of Macro Sensors.

FINISH:

DRAFTSMAN: R.E.A.	DATE: 2.OCT.98
CHECKER:	DATE:
APPROVED:	DATE:
APPROVED:	DATE:
APPROVED:	DATE:

**Macro Sensors**  
 Div. of Howard A. Schaevitz Technologies, Inc.

TITLE: PR 750 4000 OUTLINE

C.A.G.E. No. **A 06WW0**      DRAWING No. **010912580000**

SCALE: NONE      SHEET No. 1 of 1

MATERIAL:

THIS DRAWING IS A CONTROLLED DOCUMENT.		DWN	-		TE Connectivity		
DIMENSIONS: INCHES		CHK	-		PR 750 4000 OUTLINE		
TOLERANCES UNLESS OTHERWISE SPECIFIED:		APVD	-		NAME		
0 PLC ± - 1 PLC ± - 2 PLC ± - 3 PLC ± - 4 PLC ± - ANGLES ± -		PRODUCT SPEC	-		RESTRICTED TO		
MATERIAL	FINISH	APPLICATION SPEC	-	SIZE	CAGE CODE	DRAWING NO.	
-	-	WEIGHT	-	A2	00779	C=010912580000	
CUSTOMER DRAWING			SCALE	NTS	SHEET	1 of 1	
			REV	B			