

REVISIONS				
P	LTR	DESCRIPTION	DATE	APVD
B	-			

SPECIFICATIONS

INPUT VOLTAGE: 3.0 V rms (NOM)
 INPUT FREQUENCY: 2.5 KHz (NOM)
 ELECTRICAL STROKE: +/- 0.250"
 SENSITIVITY: 2.2 mv/VOLT/.001"
 LINEARITY: 0.25% OF FULL RANGE (MAX)
 PHASE SHIFT: +7 DEG.
 IMPEDANCE:
 PRIMARY: 550 OHMS (NOM)
 SECONDARY: 1100 OHMS (NOM)
 OPERATING TEMPERATURE: 0 TO 221 DEG. F
 SOCK SURVIVAL: 1000 G's, 11ms
 VIBRATION (DC TO 2000 Hz): 30 G's rms

REVISIONS			
REV.	DESCRIPTION	DATE:	APPR.
A	REDRAWN AND UP DATED SPECIFICATIONS	8/12/98	R.E.A.
B	CHANGED THD DEPTH TO .25	9/24/99	R.E.A.

ORIENTATION MARK

Ø0.134
[Ø3.4]

Ø0.375
[Ø9.5]

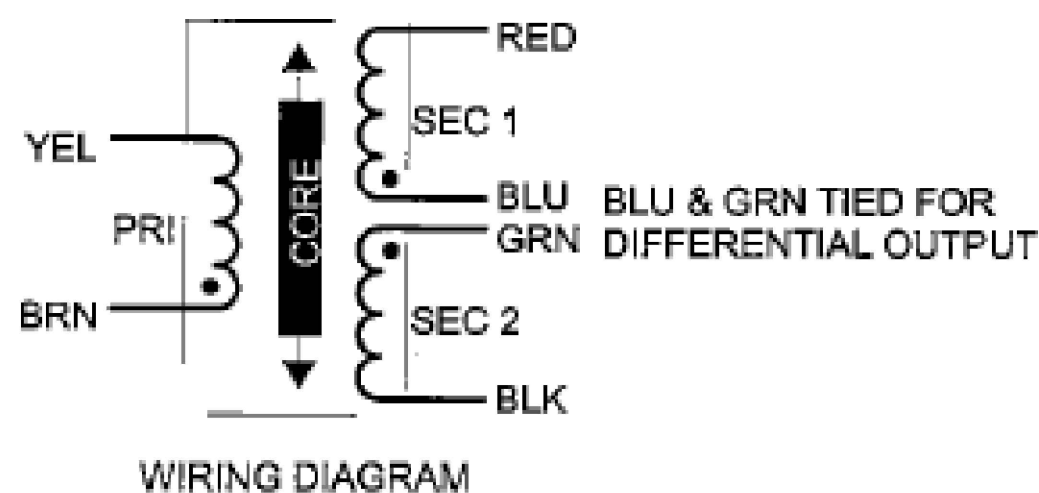
1.75 ±0.03
[44.5]

(6) #32 AWG LEADS, TEFLON INSUL.
MINIMUM LENGTH 12 INCHES
[304]

Ø0.110
[Ø2.8]

1.13 ±0.03
[28.6]

#1-72 UNF-2B THD
.25 MIN. DEPTH BOTH ENDS
[6.3]



MATERIAL:

UNLESS OTHERWISE SPECIFIED ALL DIMENSIONS ARE IN INCHES
 TOLERANCES ARE:
 ANGLES: +/- 0.5 DEG.
 FRACTIONS: +/- 1/64
 DECIMAL:
 XX= +/- .01
 XXX= +/- .005
 THIS DRAWING AND SPECIFICATIONS ARE THE PROPERTY OF Macro Sensors, Div. of Howard A. Schaeffler Technologies, Inc. DO NOT COPY WITHOUT THE WRITTEN APPROVAL OF Macro Sensors.
 FINISH:

DRAFTSMAN: R.E.A.	DATE: 3 FEB 95
CHECKER:	DATE:
APPROVED:	DATE:
APPROVED:	DATE:
APPROVED:	DATE:

Macro Sensors Div. of Howard A. Schaeffler Technologies, Inc.	
TITLE CD 375 250 OUTLINE	
C.A.G.E. No. A 06WW0	DRAWING No. 010912370000
SCALE: NONE	SHEET No. 1 of 1

THIS DRAWING IS A CONTROLLED DOCUMENT.

DIMENSIONS: INCHES	TOLERANCES UNLESS OTHERWISE SPECIFIED:
0 PLC ± -	1 PLC ± -
1 PLC ± -	2 PLC ± -
2 PLC ± -	3 PLC ± -
3 PLC ± -	4 PLC ± -
4 PLC ± -	ANGLES ± -
MATERIAL	FINISH

DWN	-		TE Connectivity		
CHK	-		NAME		
APVD	-		CD 375 250 OUTLINE		
PRODUCT SPEC	-		RESTRICTED TO		
APPLICATION SPEC	-	SIZE	CAGE CODE	DRAWING NO	RESTRICTED TO
WEIGHT	-	A2	00779	C=010912370000	-
CUSTOMER DRAWING	-	SCALE	SHEET	1 of 1	REV
	-	NTS			B