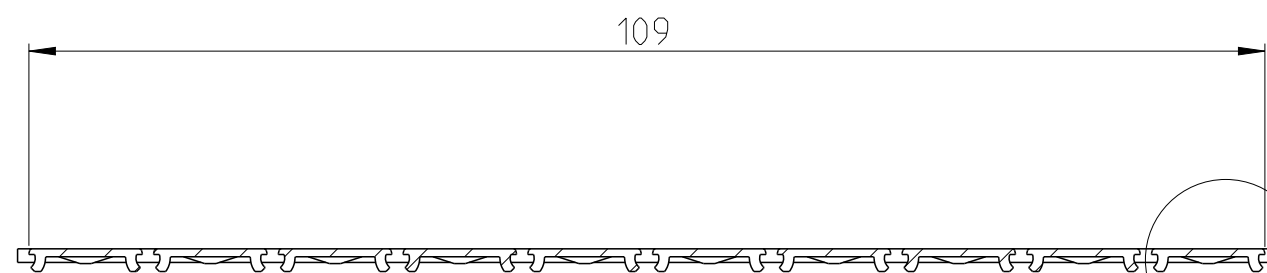
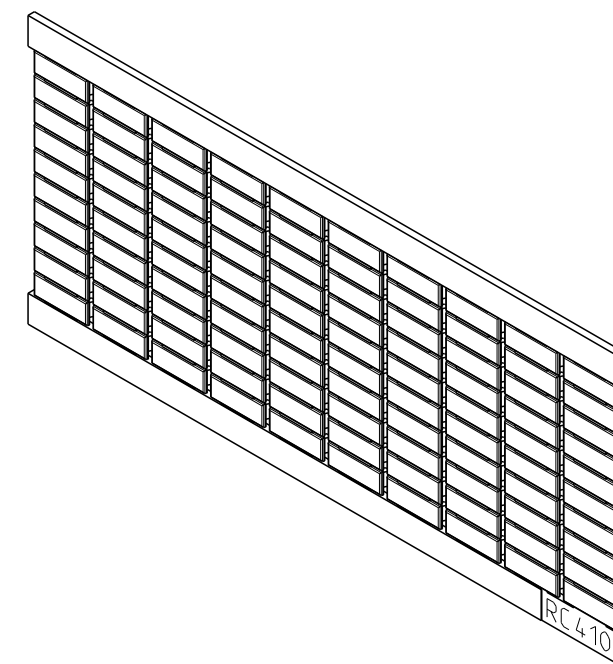
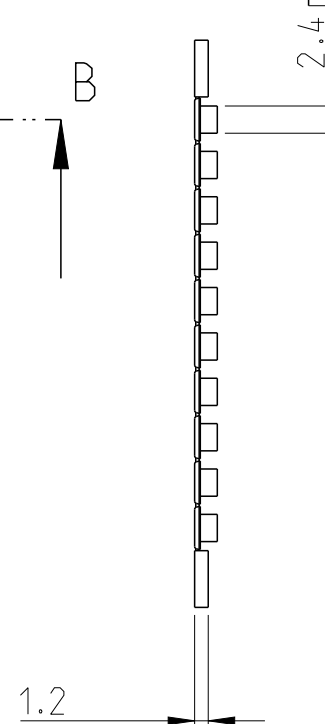
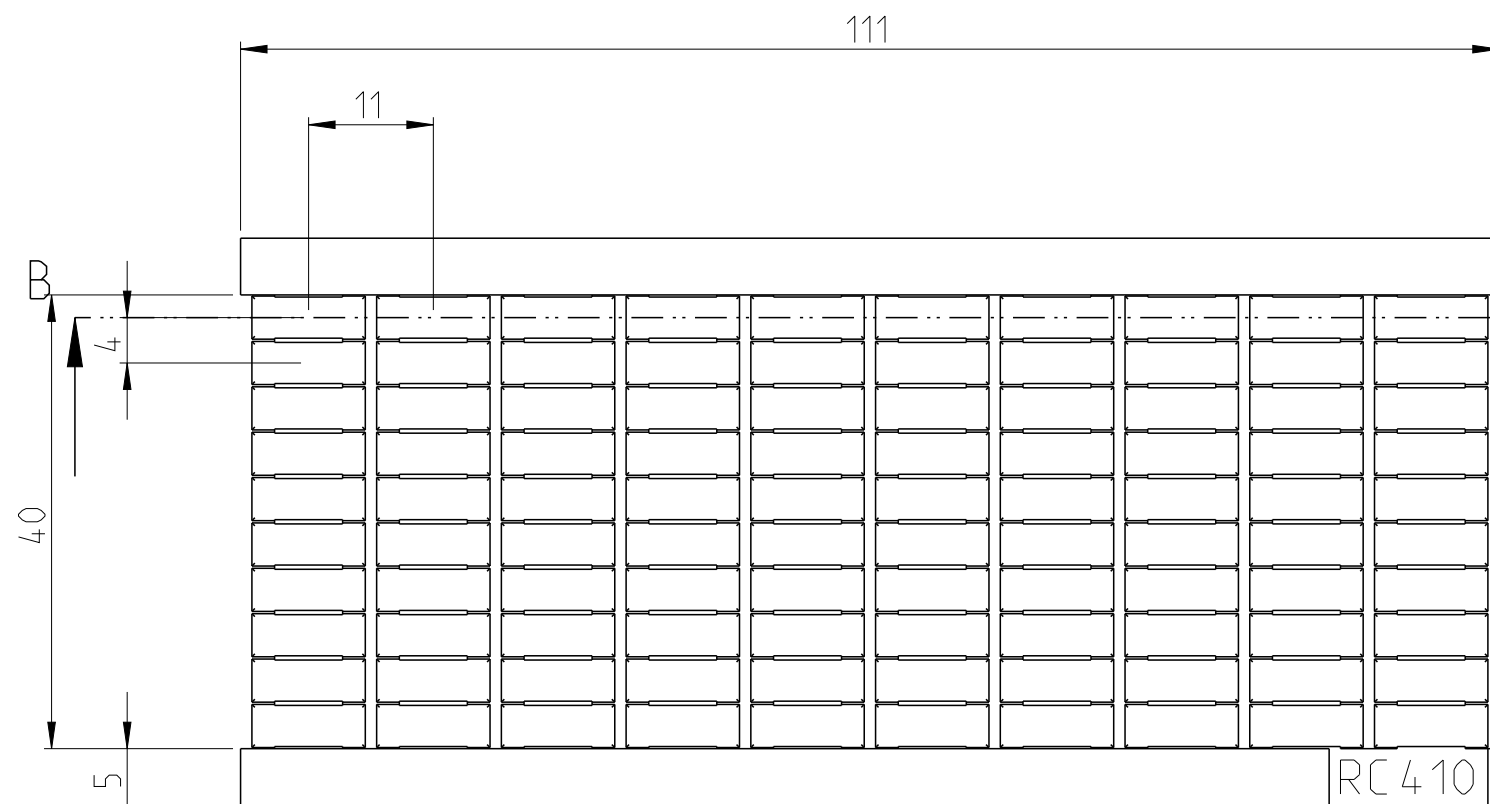
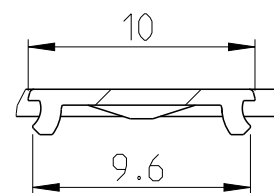


P	LTR	DESCRIPTION	DATE	DWN	APVD
	A	First Released	08JAN2021	NN	VR



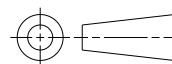
SECTION B-B

Detail A  
3:1



THIS DRAWING IS A CONTROLLED DOCUMENT.

DIMENSIONS:  
mm



TOLERANCES UNLESS OTHERWISE SPECIFIED:

- 0 PLC ±
- 1 PLC ±0.1
- 2 PLC ±0.01
- 3 PLC ±0.001
- 4 PLC ±0.0001
- ANGLES ±

MATERIAL

FINISH

DWN 16DEC2020  
Dyara Silva

CHK -

APVD -

PRODUCT SPEC -

APPLICATION SPEC -

WEIGHT -

CUSTOMER DRAWING

-	-	1SNA229000R1500
FINISH	MATERIAL	PART NO



NAME  
RC 410  
RC 410 VIERGE BLANC

SIZE CAGE CODE DRAWING NO RESTRICTED TO


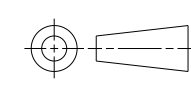
A3 00779 C=000077538-0100 -

SCALE 5:1 SHEET 1 OF 3 REV A

SL NO	PART NO	DESCRIPTION
1	1SNA229001R0200	RC410 0->9 (x10) Horizontal
2	1SNA229002R0300	RC410 1->10 (x10) Horizontal
3	1SNA229003R0400	RC410 11->20 (x10) Horizontal
4	1SNA229004R0500	RC410 21->30 (x10) Horizontal
5	1SNA229005R0600	RC410 31->40 (x10) Horizontal
6	1SNA229006R0700	RC410 41->50 (x10) Horizontal
7	1SNA229007R0000	RC410 51->60 (x10) Horizontal
8	1SNA229008R1100	RC410 61->70 (x10) Horizontal
9	1SNA229009R1200	RC410 71->80 (x10) Horizontal
10	1SNA229010R0600	RC410 81->90 (x10) Horizontal
11	1SNA229011R2300	RC410 91->100 (x10) Horizontal
12	1SNA229030R0200	RC410 1->100 Horizontal
13	1SNA229040R1400	RC410 0->9 (x10) Vertical
14	1SNA229042R0200	RC410 11->20 (x10) Vertical
15	1SNA229043R0300	RC410 21->30 (x10) Vertical
16	1SNA229044R0400	RC410 31->40 (x10) Vertical
17	1SNA229045R0500	RC410 41->50 (x10) Vertical
18	1SNA229046R0600	RC410 51->60 (x10) Vertical
19	1SNA229060R1000	RC410 1->100 Vertical
20	1SNA229061R0500	RC410 101->200 Vertical
21	1SNA229062R0600	RC410 201->300 Vertical
22	1SNA229063R0700	RC410 301->400 Vertical
23	1SNA229064R0000	RC410 401->500 Vertical
24	1SNA229065R0100	RC410 501->600 Vertical
25	1SNA229066R0200	RC410 601->700 Vertical
26	1SNA229111R2400	RC410 + (x100) Horizontal
27	1SNA229112R2500	RC410 - (x100) Horizontal
28	1SNA229152R0500	RC410 C (x100) Horizontal
29	1SNA229211R0000	RC410 1 (x100) Horizontal
30	1SNA229212R0100	RC410 2 (x100) Horizontal
31	1SNA229213R0200	RC410 3 (x100) Horizontal
32	1SNA229047R0700	RC410 61->70 (x10) Vertical
33	1SNA229048R1000	RC410 71->80 (x10) Vertical
34	1SNA229049R1100	RC410 81->90 (x10) Vertical
35	1SNA229050R1600	RC410 91->100 (x10) Vertical
36	1SNA229051R0300	RC410 101->110 (x10) Vertical
37	1SNA229052R0400	RC410 111->120 (x10) Vertical
38	1SNA229053R0500	RC410 121->130 (x10) Vertical
39	1SNA229054R0600	RC410 131->140 (x10) Vertical
40	1SNA229055R0700	RC410 141->150 (x10) Vertical
41	1SNA229056R0000	RC410 151->160 (x10) Vertical
42	1SNA229057R0100	RC410 161->170 (x10) Vertical
43	1SNA229058R1200	RC410 171->180 (x10) Vertical

P	LTR	DESCRIPTION	DATE	DWN	APVD
		SEE SHEET 1			

SL NO	PART NO	DESCRIPTION
44	1SNA229059R1300	RC410 181->190 (x10) Vertical
45	1SNA229067R0300	RC410 701->800 Vertical
46	1SNA229068R1400	RC410 801->900 Vertical
47	1SNA229069R1500	RC410 901->1000 Vertical
48	1SNA229072R0000	RC410 191->200 (x10) Vertical
49	1SNA229113R2600	RC410 = (x100) Horizontal
50	1SNA229114R2700	RC410 (x100) Horizontal
51	1SNA229115R2000	RC410 ground symbol (x100) Horizontal
52	1SNA229150R1700	RC410 A (x100) Horizontal
53	1SNA229151R0400	RC410 B (x100) Horizontal
54	1SNA229153R0600	RC410 D (x100) Horizontal
55	1SNA229154R0700	RC410 E (x100) Horizontal
56	1SNA229155R0000	RC410 F (x100) Horizontal
57	1SNA229156R0100	RC410 G (x100) Horizontal
58	1SNA229157R0200	RC410 H (x100) Horizontal
59	1SNA229158R1300	RC410 I (x100) Horizontal
60	1SNA229159R1400	RC410 J (x100) Horizontal
61	1SNA229160R1100	RC410 K (x100) Horizontal
62	1SNA229161R0600	RC410 L (x100) Horizontal
63	1SNA229162R0700	RC410 M (x100) Horizontal
64	1SNA229163R0000	RC410 N (x100) Horizontal
65	1SNA229164R0100	RC410 O (x100) Horizontal
66	1SNA229165R0200	RC410 P (x100) Horizontal
67	1SNA229166R0300	RC410 Q (x100) Horizontal
68	1SNA229167R0400	RC410 R (x100) Horizontal
69	1SNA229168R1500	RC410 S (x100) Horizontal
70	1SNA229169R1600	RC410 T (x100) Horizontal
71	1SNA229170R1300	RC410 U (x100) Horizontal
72	1SNA229171R0000	RC410 V (x100) Horizontal
73	1SNA229172R0100	RC410 W (x100) Horizontal
74	1SNA229173R0200	RC410 X (x100) Horizontal


THIS DRAWING IS A CONTROLLED DOCUMENT.		DWN 16DEC2020 Dyara Silva	 TE Connectivity	
DIMENSIONS: mm		CHK -		
		TOLERANCES UNLESS OTHERWISE SPECIFIED:		NAME RC410 RC410 VIERGE BLANC
MATERIAL -		0 PLC ±	PRODUCT SPEC -	APPLICATION SPEC -
FINISH -		1 PLC ±0.1	WEIGHT -	SIZE A3
		2 PLC ±0.01	CAGE CODE 00779	DRAWING NO C=000077538-0100
		3 PLC ±0.001	CUSTOMER DRAWING	RESTRICTED TO -
		4 PLC ±0.0001	SCALE 5:1	SHEET 2 OF 3
		ANGLES ±	REV A	

REVISIONS

SL NO	PART NO	DESCRIPTION
75	1SNA229174R0300	RC 410 Y (x100) Horizontal
76	1SNA229175R0400	RC 410 Z (x100) Horizontal
77	1SNA229180R0600	RC 410 A (x100) Vertical
78	1SNA229181R2300	RC 410 B (x100) Vertical
79	1SNA229182R2400	RC 410 C (x100) Vertical
80	1SNA229183R2500	RC 410 D (x100) Vertical
81	1SNA229184R2600	RC 410 E (x100) Vertical
82	1SNA229185R2700	RC 410 F (x100) Vertical
83	1SNA229186R2000	RC 410 G (x100) Vertical
84	1SNA229187R2100	RC 410 H (x100) Vertical
85	1SNA229188R0200	RC 410 I (x100) Vertical
86	1SNA229189R0300	RC 410 J (x100) Vertical
87	1SNA229190R0000	RC 410 K (x100) Vertical
88	1SNA229191R2500	RC 410 L (x100) Vertical
89	1SNA229192R2600	RC 410 M (x100) Vertical
90	1SNA229193R2700	RC 410 N (x100) Vertical
91	1SNA229194R2000	RC 410 O (x100) Vertical
92	1SNA229195R2100	RC 410 P (x100) Vertical
93	1SNA229196R2200	RC 410 Q (x100) Vertical
94	1SNA229197R2300	RC 410 R (x100) Vertical
95	1SNA229198R0400	RC 410 S (x100) Vertical
96	1SNA229199R0500	RC 410 T (x100) Vertical
97	1SNA229200R2200	RC 410 U (x100) Vertical
98	1SNA229201R1700	RC 410 V (x100) Vertical
99	1SNA229202R1000	RC 410 W (x100) Vertical
100	1SNA229203R1100	RC 410 X (x100) Vertical
101	1SNA229204R1200	RC 410 Y (x100) Vertical
102	1SNA229205R1300	RC 410 Z (x100) Vertical
103	1SNA229210R1300	RC 410 0 (x100) Horizontal
104	1SNA229214R0300	RC 410 4 (x100) Horizontal
105	1SNA229215R0400	RC 410 5 (x100) Horizontal
106	1SNA229216R0500	RC 410 6 (x100) / 9 (x100) Horizontal
107	1SNA229217R0600	RC 410 7 (x100) Horizontal
108	1SNA229218R1700	RC 410 8 (x100) Horizontal
109	1SNA229220R1500	RC 410 10 (x100) Horizontal
110	1SNA229221R0200	RC 410 11 (x100) Horizontal
111	1SNA229222R0300	RC 410 12 (x100) Horizontal
112	1SNA229223R0400	RC 410 13 (x100) Horizontal
113	1SNA229224R0500	RC 410 14 (x100) Horizontal
114	1SNA229225R0600	RC 410 15 (x100) Horizontal
115	1SNA229226R0700	RC 410 16 (x100) Horizontal
116	1SNA229227R0000	RC 410 17 (x100) Horizontal

P	LTR	DESCRIPTION	DATE	DWN	APVD
		SEE SHEET 1			

SL NO	PART NO	DESCRIPTION
117	1SNA229228R1100	RC 410 18 (x100) Horizontal
118	1SNA229229R1200	RC 410 19 (x100) Horizontal
119	1SNA229230R1700	RC 410 20 (x100) Horizontal

THIS DRAWING IS A CONTROLLED DOCUMENT.		DWN 16DEC2020 Dyaraal Silva	 TE Connectivity				
DIMENSIONS: mm		CHK -			APVD -		
TOLERANCES UNLESS OTHERWISE SPECIFIED: 0 PLC ± 1 PLC ±0.1 2 PLC ±0.01 3 PLC ±0.001 4 PLC ±0.0001 ANGLES ±		PRODUCT SPEC -	NAME RC 410 RC 410 VIERGE BLANC				
MATERIAL -		APPLICATION SPEC -	SIZE A3	CAGE CODE 00779	DRAWING NO C=000077538-0100	RESTRICTED TO -	
FINISH -		WEIGHT -	CUSTOMER DRAWING		SCALE 5:1	SHEET 3 OF 3	REV A