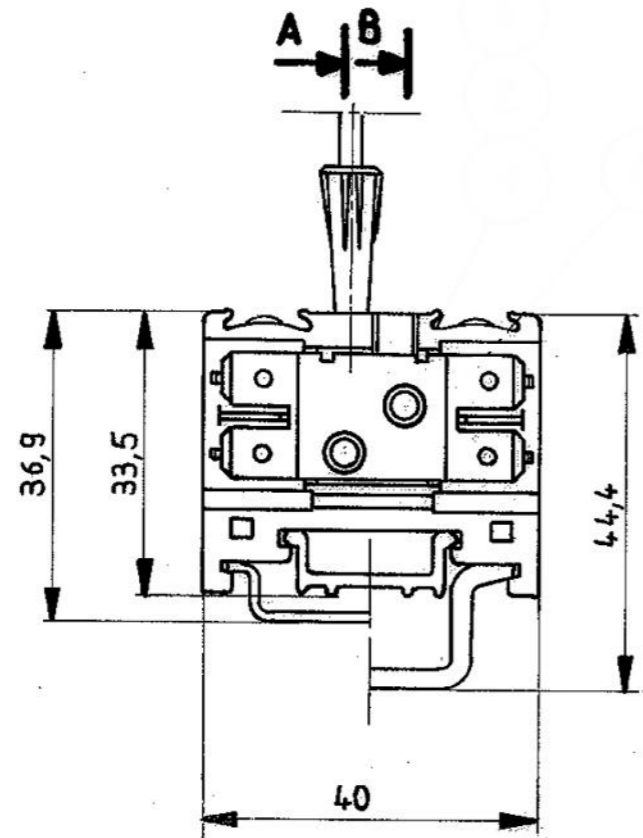


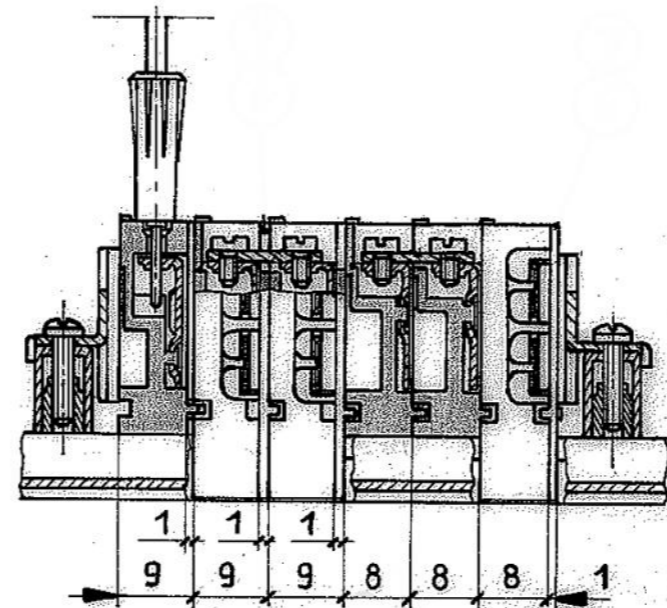
REVISIONS

P	LTR	DESCRIPTION	DATE	DWN	APVD



SECTION A-A

SECTION B-B



-	-	1SNA160606R1400
FINISH	MATERIAL	PART NO

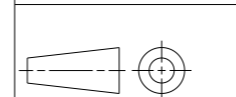
THIS DRAWING IS A CONTROLLED DOCUMENT.

DWN 25MAY2021
DYARAL SILVA



DIMENSIONS:
mm

TOLERANCES UNLESS OTHERWISE SPECIFIED:



- 0 PLC ±
- 1 PLC ±0.1
- 2 PLC ±0.01
- 3 PLC ±0.001
- 4 PLC ±0.0001
- ANGLES ±

MATERIAL

FINISH

CHK	-
APVD	-
PRODUCT SPEC	-
APPLICATION SPEC	-
WEIGHT	-

NAME
HD6/8.2G.2G.1

SIZE	CAGE CODE	DRAWING NO	RESTRICTED TO
A3	00779	©=000058889-0100	-

CUSTOMER DRAWING	SCALE	SHEET 1 OF 1	REV A
------------------	-------	--------------	-------