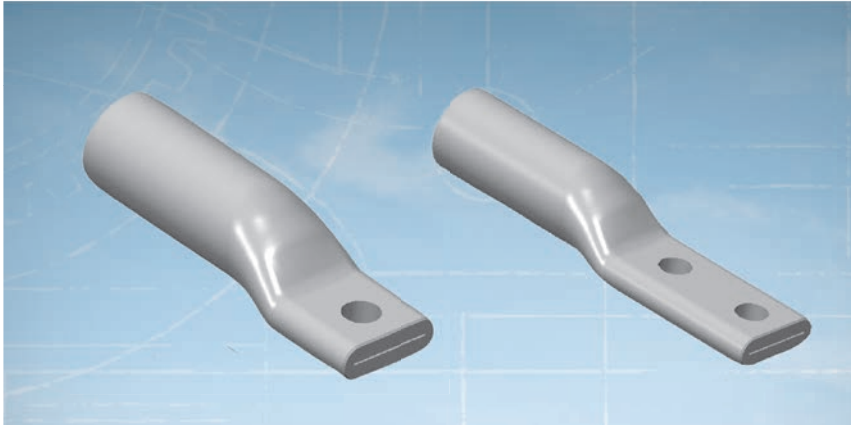


ALUMINUM COMPRESSION TERMINAL LUGS

(CSA dies)

Aluminum Compression Terminal Lugs (CSA dies)



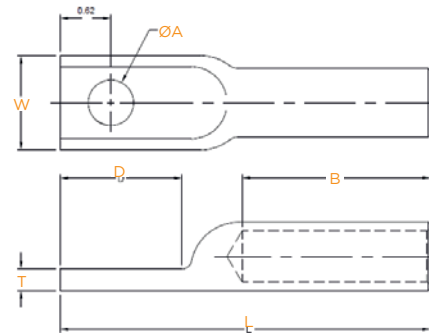
Key Features

- Easy to install using industry standard tools with CSA dies
- High conductivity aluminum Alloy
- 1 and 2 hole pad available
- Seamless design
- Heavy wall design
- Factory filled with inhibitor joint compound and capped
- Scribe line on connector body to identify the cable strip length and the start crimp line
- Non-tension application
- Conductor and die sizes marked on each terminal
- Barrel length allows for multiple crimps
- Tin plated/non plated versions available

TE Connectivity's (TE) compression lug terminal connectors are ideal for secondary distribution and overhead applications up to 35 kV. TE's aluminum compression connectors accommodate a range of cable sizes from #2 AWG solid to 1000 kcmil compact. Use for terminating solid, compact, compressed and concentric stranded class B conductors.

Compression of the terminal barrel creates a highly reliable connection between the conductor and the pad of the terminal resulting in excellent conductivity and low temperature performance during operation.

Connectors meet the requirement of ANSI C119.4, class A electrical and class 3 mechanical.

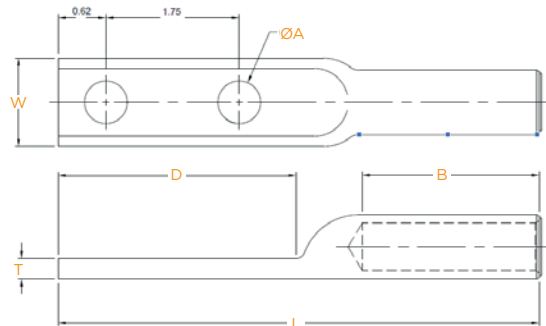


Aluminum Lug 1 Hole											
Catalog Number	Part Number	Conductor	Tin Plated	Dimensions						DIE index	Solid Oil Stop
				W	T	D	B	L	A		
KL6TN	4-1200025-5	#6 AWG - AL/CU - STD STR, COMPT	Yes	22.8 (0.90)	8.1 (.032)	31.7 (1.25)	40.6 (1.60)	81.0 (3.19)	14.2 (0.56)	CSA 22	No
KL4TN	6-1199154-2	#4 & #3 AWG - AL/CU - STD STR, COMPT, SOL	Yes	25.4 (1.00)	6.4 (.25)	31.7 (1.25)	44.4 (1.75)	91.9 (3.62)	14.2 (0.56)	CSA 22	No
KL4AB10TN	1099771-1	#4 & #3 AWG - AL/CU - STD STR, COMPT, SOL	Yes	25.4 (1.00)	6.4 (.25)	31.7 (1.25)	44.4 (1.75)	88.90 (3.5)	11.2 (0.44)	CSA 22	No
KL4X1	1710670-1	#4 & #3 AWG - AL/CU - STD STR, COMPT, SOL	No	25.4 (1.00)	6.4 (.25)	31.7 (1.25)	44.4 (1.75)	88.90 (3.5)	11.2 (0.44)	CSA 22	No
KL4ATN	2-1199018-2	#4 & #3 AWG - AL/CU - STD STR, COMPT, SOL	Yes	25.4 (1.00)	6.4 (.25)	31.7 (1.25)	44.4 (1.75)	91.9 (3.62)	14.2 (0.56)	CSA 22	No
KLE2	3-1199905-1	#2 Extra Flex CU	No	24.1 (0.95)	6.4 (.25)	38.1 (1.5)	35.0 (1.38)	88.90 (3.5)	14.2 (0.56)	CSA 22	No
KL2TN	9-1200024-2	#2 AWG -AL/CU - STD STR, COMPT, SOL	Yes	22.8 (0.90)	6.4 (.25)	31.7 (1.25)	35.0 (1.38)	81.8 (3.22)	14.2 (0.56)	CSA 22	No
KL2TN-3/8	1099529-1	#2 AWG - AL/CU - STD STR, COMPT, SOL	Yes	22.8 (0.90)	6.4 (.25)	31.7 (1.25)	35.0 (1.38)	81.8 (3.22)	11.2 (0.44)	CSA 22	No
KL1TN	9-1200024-1	#1 AWG - AL/CU - STD STR, COMPT, SOL	Yes	25.4 (1.00)	6.4 (.25)	32.5 (1.28)	34.5 (1.36)	82.5 (3.25)	14.2 (0.56)	CSA 22	No
KL10	1098065-1	1/0 AWG - AL ONLY - STD STR, COMPT, SOL	No	19.5 (0.77)	5.3 (0.21)	31.7 (1.25)	49.8 (1.96)	101.60 (4.00)	14.2 (0.56)	CSA 22	No
KL10TN	6-1199020-0	1/0 AWG - AL/CU - STD STR, COMPT, SOL	Yes	25.4 (1.00)	6.4 (0.25)	31.7 (1.25)	49.8 (1.96)	99.0 (3.90)	14.2 (0.56)	CSA 22	No

Aluminum Compression Terminal Lugs (CSA dies)

Aluminum Lug 1 Hole											
Catalog Number	Part Number	Conductor	Tin Plated	Dimensions						DIE index	Solid Oil Stop
				W	T	D	B	L	A		
KL10TN-3/8	1099908-1	1/0 AWG - AL/CU - STD STR, COMPT, SOL	Yes	25.4 (1.00)	6.4 (0.25)	31.7 (1.25)	49.8 (1.96)	99.0 (3.90)	11.0 (0.435)	CSA 22	No
KL10TNX1	1200027-1	1/0 AWG - AL/CU - STD STR, COMPT, SOL	Yes	22.8 (0.90)	5.6 (0.22)	31.7 (1.25)	34.5 (1.36)	82.5 (3.25)	11.2 (0.44)	CSA 22	No
KL20TN	3-1199019-9	2/0 AWG - AL/CU - COMPT, SOL	Yes	25.4 (1.00)	6.4 (0.25)	31.7 (1.25)	50.8 (2.00)	100.1 (3.94)	14.2 (0.56)	CSA 22	No
KL20	1099639-1	2/0 AWG - AL - COMPT, SOL	No	25.4 (1.00)	6.4 (0.25)	31.7 (1.25)	50.8 (2.00)	100.1 (3.94)	14.2 (0.56)	CSA 22	No
KL20A-L1	3-1199651-0	2/0 AWG - AL/CU - COMPT, SOL	Yes	25.4 (1.00)	6.4 (0.25)	31.7 (1.25)	50.8 (2.00)	100.1 (3.94)	14.2 (0.56)	CSA 22	No
KL30TN	1199020-9	3/0 AWG - AL/CU - STD STR, COMPT, SOL	Yes	29.2 (1.15)	7.6 (0.30)	31.7 (1.25)	49.3 (1.94)	103.9 (4.09)	14.2 (0.56)	CSA 24	No
KL30TN-S	1-1199357-5	3/0 AWG - AL/CU - STD STR, COMPT, SOL	Yes	29.2 (1.15)	7.9 (0.31)	32.5 (1.28)	34.5 (1.36)	82.5 (3.25)	14.2 (0.56)	CSA 24	No
KL40	1098066-1	4/0 AWG - AL/CU - STD STR, COMPT, SOL	No	29.2 (1.15)	7.1 (0.28)	31.7 (1.25)	49.3 (1.94)	101.60 (4.00)	14.2 (0.56)	CSA 24	No
KL40TN	6-1199020-1	4/0 AWG - AL/CU - STD STR, COMPT, SOL	Yes	29.2 (1.15)	7.1 (0.28)	31.7 (1.25)	49.3 (1.94)	101.60 (4.00)	14.2 (0.56)	CSA 24	No
KL40NTN-3/8	2182626-1	4/0 AWG - AL/CU - STD STR, COMPT, SOL	Yes	29.2 (1.15)	7.1 (0.28)	31.7 (1.25)	49.3 (1.94)	101.60 (4.00)	11.2 (0.44)	CSA 24	Yes
KL025AL1	1099770-1	250 & 266.8 KCMIL - AL/CU - STD STR, COMPT	Yes	35 (1.38)	9.6 (0.38)	31.7 (1.25)	51.0 (2.00)	103.9 (4.09)	14.2 (0.56)	CSA 26	No
KL025TN	1099979-1	251 & 266.8 KCMIL - AL/CU - STD STR, COMPT	Yes	38.1 (1.50)	9.6 (0.38)	33.5 (1.32)	51.0 (2.00)	107.9 (4.25)	14.2 (0.56)	CSA 26	No
KL025TN-S	1099979-2	252 & 266.8 KCMIL - AL/CU - STD STR, COMPT	Yes	38.1 (1.50)	9.6 (0.38)	33.5 (1.32)	34.80 (1.37)	91.4 (3.6)	14.2 (0.56)	CSA 26	No
KL030TN	1099997-1	300 KCMIL - AL/CU - STD STR, COMPT, SOL	Yes	35.5 (1.40)	10.1 (0.40)	31.7 (1.25)	57.0 (2.25)	117.3 (4.62)	14.2 (0.56)	CSA 26	No
KL035TN	8-1200024-6	350 KCMIL - AL/CU - STD STR, COMPT, SOL	Yes	42.9 (1.69)	11.9 (0.47)	38.1 (1.5)	63.5 (2.50)	132.1 (5.2)	14.2 (0.56)	CSA 28	No
KL040NTN	1099526-1	400 KCMIL - AL/CU - STD STR, COMPT, SOL	Yes	42.9 (1.69)	11.9 (0.47)	31.7 (1.25)	69.8 (2.75)	136.6 (5.38)	14.2 (0.56)	CSA 28	No
KL040NTN-5/8	2182626-2	400 KCMIL - AL/CU - STD STR, COMPT, SOL	Yes	42.9 (1.69)	11.9 (0.47)	31.7 (1.25)	69.8 (2.75)	136.6 (5.38)	17.40 (0.685)	CSA 28	Yes
KL045TN	1-1199649-0	450 KCMIL - AL/CU - STD STR	Yes	42.9 (1.69)	11.4 (0.45)	38.1 (1.5)	76.20 (3.00)	133.3 (5.25)	14.2 (0.56)	CSA 28	No
KL050CTNS	2182349-1	500 KCMIL - AL/CU - COMPT	Yes	37.8 (1.49)	10.7 (0.42)	34.3 (1.35)	41.40 (1.63)	96.5 (3.8)	14.2 (0.56)	CSA 28	No
KL050TN	1-1199155-7	500 KCMIL - AL(AAC) - STD STR, COMPT, SOL	Yes	42.9 (1.69)	14.2 (0.56)	38.1 (1.5)	76.20 (3.00)	142.7 (5.62)	14.2 (0.56)	CSA 30	No
KL075CNTN	1098100-1	750 KCMIL - AL(AAC) - COMPT	Yes	42.9 (1.69)	14.5 (0.57)	35.0 (1.38)	76.20 (3.00)	149.8 (5.9)	14.2 (0.56)	CSA 30	No
KL075NSTN	1099527-1	750 KCMIL - AL/CU - STD STR, COMPT, SOL	Yes	42.9 (1.69)	12.7 (0.50)	38.1 (1.5)	88.90 (3.50)	178.5 (7.03)	14.2 (0.56)	CSA 30	Yes

Suffix S means solid stop type connector.
3/8 inch Studs hole available: use suffix -3/8



Aluminum Lug 1 Hole											
Catalog Number	Part Number	Conductor	Tin Plated	Dimensions						DIE index	
				W	T	D	B	L	A		
KL62NTN	1099529-1	#6 AWG - AL/CU - STD STR, COMPT	Yes	22.8 (0.90)	6.4 (.25)	31.7 (1.25)	35.0 (1.38)	81.8 (3.22)	CSA 30	CSA 22	
KL42NTN	9-1200024-1	#4 & #3 AWG - AL/CU - STD STR, COMPT, SOL	Yes	25.4 (1.00)	6.4 (.25)	32.5 (1.28)	34.5 (1.36)	82.5 (3.25)	CSA 30	CSA 22	
KL22NTN	1098065-1	#2 AWG - AL/CU - STD STR, COMPT, SOL	Yes	19.5 (0.77)	5.3 (0.21)	31.7 (1.25)	49.8 (1.96)	101.60 (4.00)	CSA 30	CSA 22	
KL102N	6-1199020-0	#1/0 AWG - AL - STD STR, COMPT, SOL	No	25.4 (1.00)	6.4 (0.25)	31.7 (1.25)	49.8 (1.96)	99.0 (3.90)	CSA 30	CSA 22	

Aluminum Compression Terminal Lugs (CSA dies)

Aluminum Lug 2 Holes											
Catalog Number	Part Number	Conductor	Tin Plated	Dimensions						DIE index	
				W	T	D	B	L	A		
KL102NTN	5-1199020-0	#1/0 AWG - AL/CU - STD STR, COMPT, SOL	Yes	23.6 (0.93)	5.3 (0.21)	82.5 (3.25)	28.5 (1.12)	129.5 (5.10)	CSA 30	CSA 22	
KL202NTN	3-1199155-9	#2/0 AWG - AL/CU - STD STR, COMPT, SOL	Yes	23.9 (0.94)	5.2 (0.20)	82.5 (3.25)	49.3 (1.94)	151.1 (5.95)	CSA 30	CSA 22	
KL302NTN	3-1199657-4	#3/0 AWG - AL/CU - STD STR, COMPT, SOL	Yes	29.2 (1.15)	9.1 (0.36)	82.5 (3.25)	49.3 (1.94)	154.9 (6.10)	CSA 30	CSA 24	
KL402NTN	9-1199190-0	#4/0 AWG - AL/CU - STD STR, COMPT, SOL	Yes	29.2 (1.15)	6.9 (0.27)	82.5 (3.25)	49.3 (1.94)	157.2 (6.19)	CSA 30	CSA 24	
KL0252NTN	9-1199020-0	250 KCMIL - AL/CU - STD STR, COMPT	Yes	36.8 (1.45)	10.2 (0.40)	82.5 (3.25)	50.8 (2.0)	152.4 (6.0)	CSA 30	CSA 26	
KL0302N	1099644-1	300 KCMIL - AL/CU - STD STR, COMPT, SOL	No	35.6 (1.40)	10.2 (0.40)	82.5 (3.25)	57.0 (2.25)	161.8 (6.37)	CSA 30	CSA 26	
KL0352N	8-1200361-3	350 KCMIL - AL - STD STR, COMPT, SOL	No	42.7 (1.68)	13.2 (0.52)	82.5 (3.25)	63.5 (2.50)	170.2 (6.70)	CSA 30	CSA 28	
KL0352NTN	5-1199020-8	350 KCMIL - AL/CU - STD STR, COMPT, SOL	Yes	41.1 (1.62)	13.7 (0.54)	82.5 (3.25)	63.5 (2.50)	170.2 (6.70)	CSA 30	CSA 28	
KL0452NTN	2-1199190-3	450 KCMIL - AL/CU - STD STR	Yes	42.9 (1.69)	11.4 (0.45)	82.5 (3.25)	76.2 (3.00)	182.6 (7.19)	CSA 30	CSA 28	
KL050C2NTN	1098096-1	500 KCMIL - AL/CU - COMPT	Yes	37.8 (1.49)	10.7 (0.42)	79.2 (3.12)	66.5 (2.62)	168.1 (6.62)	CSA 30	CSA 28	
KL050C2NS	1098070-1	500 KCMIL - AL/CU - COMPT	Yes	37.8 (1.49)	10.7 (0.42)	79.2 (3.12)	66.5 (2.62)	178.3 (7.02)	CSA 30	CSA 28	
KL050CS2NTN	2182472-2	500 KCMIL - AL/CU - COMPT	Yes	39.6 (1.56)	11.7 (0.46)	79.2 (3.12)	66.5 (2.62)	187.9 (7.4)	CSA 30	CSA 28	
KL0502NTN	1199021-5	500 KCMIL - AL/CU - STD STR, COMPT, SOL	Yes	42.9 (1.69)	14.2 (0.56)	82.5 (3.25)	76.2 (3.00)	187.9 (7.4)	CSA 30	CSA 30	
KL050A2NTN	2-1199020-7	500 KCMIL - AL/CU - STD STR, COMPT, SOL	Yes	42.9 (1.69)	14.2 (0.56)	82.5 (3.25)	76.2 (3.00)	187.2 (7.37)	CSA 30	CSA 30	
KL0502NSTN	1099658-1	500 KCMIL - AL/CU - STD STR, COMPT, SOL	Yes	42.9 (1.69)	14.2 (0.56)	82.5 (3.25)	77.7 (3.06)	205.7 (8.10)	CSA 30	CSA 30	
KL0552NTN	6-1200027-8	550 KCMIL (61 STD STR) - 556.5 KCMIL (19 and 37 STD STR) - 477 KCMIL (26/7 STD STR) AL/CU	Yes	53.3 (2.1)	14.2 (0.56)	82.5 (3.25)	82.5 (3.25)	190.5 (7.5)	CSA 30	CSA 30	
KL060C2NTN	1710707-1	600 KCMIL - AL/CU - COMPT	Yes	42.9 (1.69)	14.2 (0.56)	82.5 (3.25)	82.5 (3.25)	187.4 (7.38)	CSA 30	CSA 30	
KL0602NTN	2182183-2	600 KCMIL - AL/CU - STD STR, COMPT, SOL	Yes	42.9 (1.69)	14.2 (0.56)	82.5 (3.25)	82.5 (3.25)	187.4 (7.38)	CSA 30	CSA 30	
KL0652NTN	1-1200027-7	650 KCMIL - AL/CU - STD STR, COMPT, SOL	Yes	42.9 (1.69)	14.5 (0.57)	79.5 (3.12)	82.5 (3.50)	200.6 (7.90)	CSA 30	CSA 30	
KL075C2NTN	1098088-1	650 KCMIL - AL/CU - COMPT	Yes	42.9 (1.69)	14.5 (0.57)	82.5 (3.25)	76.2 (3.00)	193.0 (7.60)	CSA 30	CSA 30	
KL0752NTN	5-1199018-2	750 KCMIL - AL/CU - STD STR, COMPT, ASC	Yes	42.9 (1.69)	14.5 (0.57)	79.2 (3.12)	82.5 (3.50)	205.7 (8.10)	CSA 30	CSA 30	
KL075C2NS	1098071-1	750 KCMIL - AL/CU - COMPT	Yes	41.9 (1.65)	13.2 (0.52)	82.5 (3.25)	73.1 (2.88)	189.5 (7.46)	CSA 30	CSA 30	
KL0752NS	9-1199380-0	750 KCMIL - AL - COMPT	No	50.8 (2.0)	12.7 (0.50)	82.5 (3.25)	82.5 (3.50)	223.0 (8.78)	CSA 30	CSA 30	
KL0752NSTN	1099781-1	750 KCMIL - AL/CU - COMPT	Yes	50.8 (2.0)	12.7 (0.50)	82.5 (3.25)	82.5 (3.50)	223.0 (8.78)	CSA 30	CSA 30	
KL075C2NSX	2182489-1	750 KCMIL - AL - COMPT	No	42.9 (1.69)	12.7 (0.50)	82.5 (3.25)	94.7 (3.73)	189.5 (7.46)	CSA 30	CSA 30	
KL100C2NSTN	1099775-1	1000 KCMIL - AL/CU - COMPT	Yes	55.9 (2.20)	15.2 (0.60)	82.5 (3.25)	82.5 (3.50)	231.1 (9.1)	CSA 30	CSA 32	
KL100C2NTN	4-1199020-2	1000 KCMIL - AL/CU - COMPT	Yes	55.9 (2.20)	15.2 (0.60)	82.5 (3.25)	82.5 (3.50)	205.7 (8.1)	CSA 30	CSA 32	
KL100C2NSX	2182491-1	1000 KCMIL - AL - COMPT	No	42.9 (1.69)	14.2 (0.56)	82.5 (3.25)	93.7 (3.69)	189.5 (7.46)	CSA 30	CSA 32	
KL100C2NSTNX	2182491-2	1000 KCMIL - AL/CU - COMPT	Yes	42.9 (1.69)	14.2 (0.56)	82.5 (3.25)	93.7 (3.69)	189.5 (7.46)	CSA 30	CSA 32	
KL1002NTN	3-1199190-9	1000 KCMIL - AL/CU - STD STR, COMPT, SOL	Yes	68.1 (2.68)	17.3 (0.68)	82.5 (3.25)	82.5 (3.50)	206.2 (8.12)	CSA 30	CSA 34	

FOR MORE INFORMATION: TE Technical Support Centers

USA:	+ 1 800 327 6996
France:	+ 33 380 583 200
UK:	+ 44 0870 870 7500
Germany:	+ 49 896 089 903
Spain:	+ 34 916 630 400
Italy:	+ 39 333 250 0915
Benelux:	+ 32 16 508 695
Canada:	+ 1 (905) 475-6222
Mexico:	+ 52 (0) 55-1106-0800
Latin/S. America:	+ 54 (0) 11-4733-2200
China:	+ 86 (0) 400-820-6015

te.com/energy

© 2018 TE Connectivity. All Rights Reserved. EPP-3014-E835-9/18

TE Connectivity and TE connectivity (logo) are trademarks. Other logos, product and/or company names might be trademarks of their respective owners. While TE has made every reasonable effort to ensure the accuracy of the information in this brochure, TE does not guarantee that it is error-free, nor does TE make any other representation, warranty or guarantee that the information is accurate, correct, reliable or current. TE reserves the right to make any adjustments to the information contained herein at any time without notice. TE expressly disclaims all implied warranties regarding the information contained herein, including, but not limited to, any implied warranties of merchantability or fitness for a particular purpose. The dimensions in this catalog are for reference purposes only and are subject to change without notice. Specifications are subject to change without notice. Consult TE for the latest dimensions and design specifications.