

NEMA TERMINAL BLOCKS

BUCHANAN Terminal Blocks

Buchanan NEMA Terminal Blocks offer a wide range of quality features and configurations to solve virtually any wiring need. Buchanan Terminal Blocks make wiring jobs simpler and easier, as they provide a ready hook-up of wires from different components or from different areas throughout a structure.

BUCHANAN - NEMA Terminal blocks

<u>BUCHANAN - NEMA Overview</u>	<u>2</u>
<u>Catalog Numbering Code</u>	<u>4</u>
<u>900 Series, Medium Duty</u>	<u>5</u>
Terminal blocks	6
Accessories	7
Mounting instructions	8
<u>200 Series, Heavy Duty</u>	<u>11</u>
Terminal blocks	12
Accessories	13
Specifications	14
Mounting instructions	15
<u>200 Series, Heavy Duty Phenolic Blocks</u>	<u>17</u>
Terminal blocks	18
Accessories	19
Specifications	20
Mounting instructions	21
<u>B100, #B100 Series, One-Piece Phenolic Blocks</u>	<u>23</u>
Terminal blocks and Accessory	24
Mounting instructions	25
<u>Pre-Printed Marking Strips</u>	<u>26</u>
<u>Technical Summary</u>	<u>27</u>
<u>Index</u>	<u>28</u>




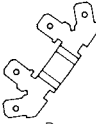

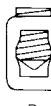
BUCHANAN Terminal Blocks

NEMA Overview

Series 900, Medium Duty

Series 200, Heavy Duty



	Medium Duty				Nylon	
Mounting	Direct Mount Standard, Miniature & Breakaway Channels				Direct Mount or: Flat Base fits Miniature Channel. Dovetail Base fits Standard & Breakaway Channels	
AWG Wire Range	#22-8	#22-8	10*, #22-14	—	#18-6 smaller	#18-4
Contact Types	Tubular Clamp	Tubular Screw	Strap Screw	Quick Connect	Tubular Clamp	Tubular Screw
R =Shipped with screws raised B =Shipped with screws bottomed	 B	 B	 B	 B	 B	 R
Ampacity	30A	50A	35A*, 15A	20A	65A	85A
Voltage	600 V	600 V	600 V	300 V	600 V	
Center-to-Center Spacing	.375" [9.53]	.375" [9.53]	.375" [9.53]	.375" [9.53]	.50" [12.70]	
Housing Material	PCT	PCT	PCT	PCT	Nylon	
Flammability Rating	UL94V-0	UL94V-0	UL94V-0	UL94V-0	UL94V-2	
Max. Service Temperature	150°C (302°F)	150°C (302°F)	150°C (302°F)	150°C (302°F)	125°C (257°F)	

*Acceptable for 35A max. factory wiring only when used with 10AWG wire preterminated with suitable ring tongue terminals.



Note: All part numbers are RoHS Compliant.






Dimensions are in millimeters and inches unless otherwise specified

Dimensions are shown for reference purposes only. Specifications subject to change.

Series 200, Heavy Duty

B100, #B100 Series, One-Piece

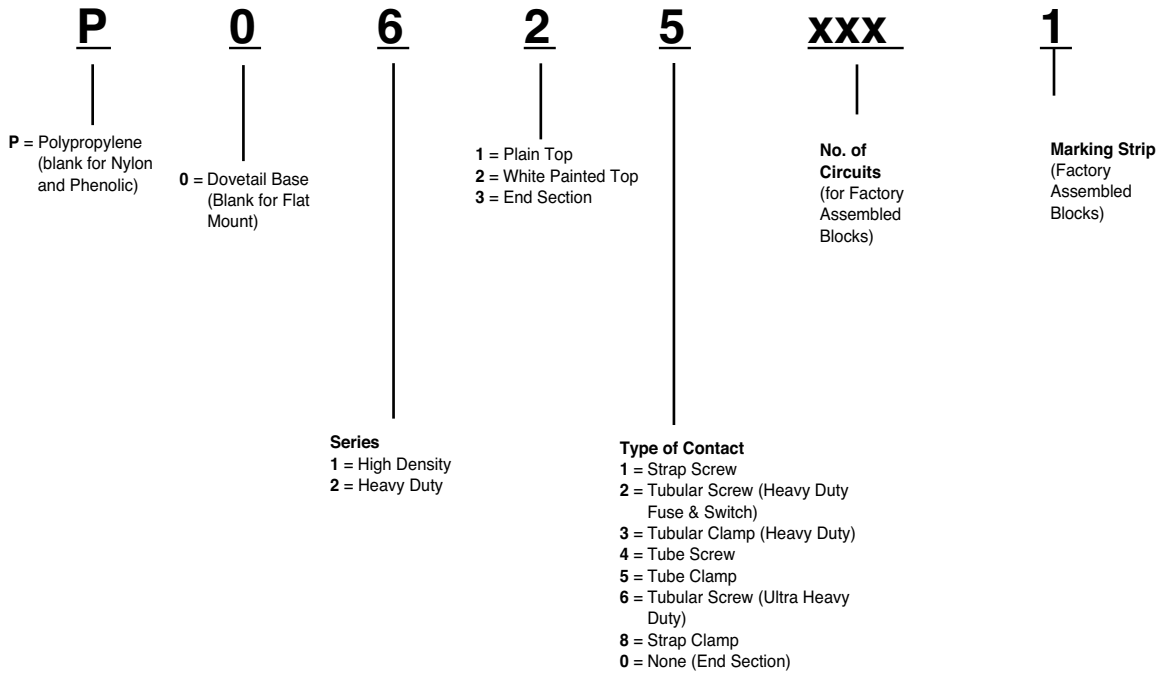


	Phenolic			Phenolic	
Mounting	Direct Mount or Standard & Breakaway Channels			Direct Mount	
AWG Wire Range	#18-6	#18-4	#10 & smaller	#8	#8
Contact Types	Tubular Clamp	Tubular Screw	Strap Screw	Strap Clamp	Strap Screw
R =Shipped with screws raised B =Shipped with screws bottomed	 B	 R	 B	 B	 B
Ampacity	65A	85A	35A	50A	50A
Voltage	600 V			600 V	
Center-to-Center Spacing	.56" [14.22]			.63" [16.00]	
Housing Material	Phenolic			Phenolic	
Flammability Rating	UL94V-1			UL94V-1	
Max. Service Temperature	150°C (302°F)			150°C (302°F)	



Note: All part numbers are RoHS Compliant.
 Dimensions are in millimeters and inches unless otherwise specified
 Dimensions are shown for reference purposes only. Specifications subject to change.

Catalog Numbering Code



Note: Some catalog number combinations are not valid.
Check appropriate catalog pages before ordering.

Note: All part numbers are RoHS Compliant.

Dimensions are in millimeters and inches unless otherwise specified

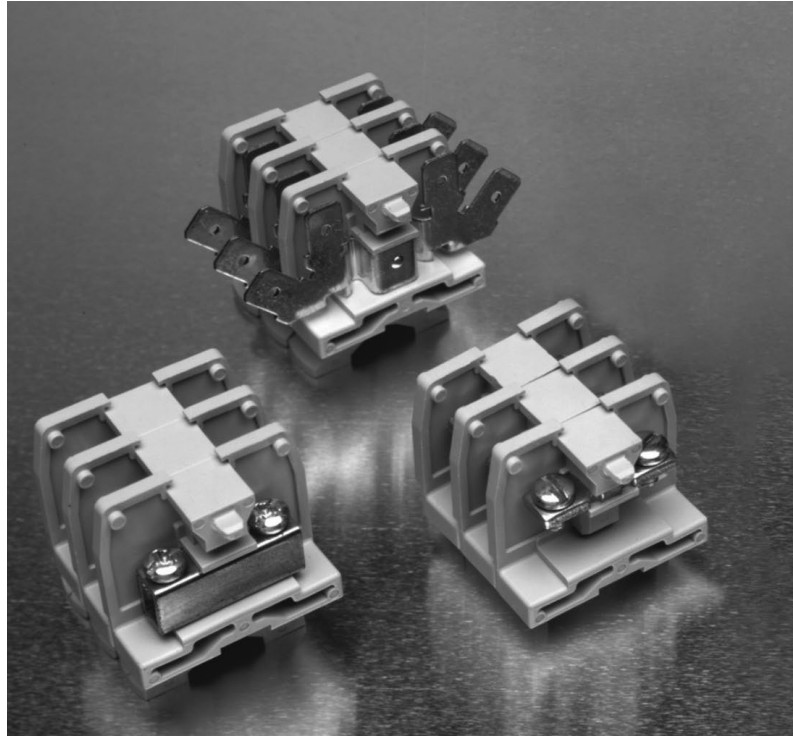
Dimensions are shown for reference purposes only. Specifications subject to change.

900 Series, Medium Duty

Presentation

Product Facts

- High circuit density - 183 circuits per 6-foot length, 3/8 inch pitch.
- Choice of 4 contact styles - tubular clamp, tubular screw, strap screw, quick connect.
- Readily identify circuits - mark directly on block sections or use removable marking strip. Preprinted marking strips also available.
- Rated up to 50 amperes per circuit.
- Flat base models mount directly to surfaces or on miniature channel. Dovetail base mounts on standard size channel.
- Packaged for rapid handling and assembly - 100 per carton.
- Only one end section needed per block assembly.
- Fanning strips - interlocking sectional fanning strips allow entire circuit groups to be connected and disconnected as a single unit.
- Factory assembled blocks available, including marking strips and different contact sections.



NEMA 900 Series is available in .375" [9.53] centerline, in direct or channel mount, tubular or strap versions, and screw, clamp or quick connect configurations. Corrosion-resistant versions are also available.



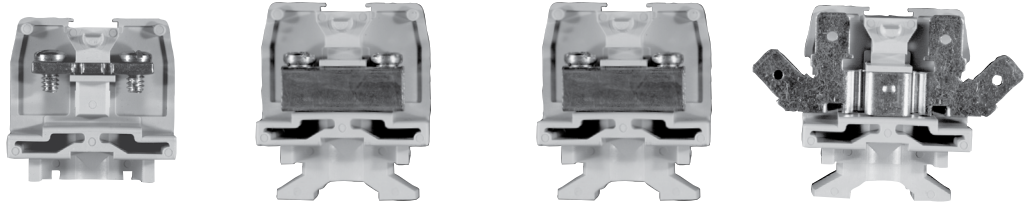
Note: All part numbers are RoHS Compliant.

Dimensions are in millimeters and inches unless otherwise specified

Dimensions are shown for reference purposes only. Specifications subject to change.

900 Series, Medium Duty

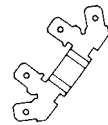
Terminal blocks



Characteristics

Type of Block	Strap Screw		Tubular Screw		Tubular Clamp		Quick Connect	
	Model	Part Number	Model	Part Number	Model	Part Number	Model	Part Number
Direct Mount (Flat Base)								
Standard	921	1546143-1	924	1546147-1	925	1546234-1	927	1546149-1
Corrosion Resistant (Duramax)		—		—	D925	1546234-2		—
Channel Mount (Dovetail Base)								
Standard	0921	1546144-1	0924	1546148-1	0925	1546235-1		—

Contact Type



Specifications

	Strap Screw	Tubular Screw	Tubular Clamp	Quick Connect
Wire Range (AWG)	10*, 22-14	22-8	22-8	—
Solid & Stranded	—	—	—	—
Wire Strip Length (in.)	—	11/32	11/32	—
Screw Type	6-32 Binding Head	10-32 Pan Head	10-32 Slotted Pan Head	—
Pitch	0.375" [9.53 mm]	0.375" [9.53 mm]	0.375" [9.53 mm]	0.375" [9.53 mm]
Ampacity	35 A*, 15 A	50 A	30 A	20 A
Voltage	600 V	600 V	600 V	300 V

End Sections

	Strap Screw	Tubular Screw	Tubular Clamp	Quick Connect
Direct Mount	930 1546163-1	930 1546163-1	930 1546163-1	930 1546163-1
Channel Mount	0930 1546164-1	0930 1546164-1	0930 1546164-1	0930 1546164-1

*Acceptable for 35A max. factory wiring only when used with 10AWG wire preterminated with suitable ring tongue terminals.

Note: Standard package is 100 pieces for contact, 25 pieces for end section.

Independent Testing Service Listing and Recognition

WIRE SIZES, Solid or Stranded

Strap Clamp

1 #22 AWG to 1 #10 AWG

Tubular Screw

1 #18 AWG to 1 #8 AWG,

2 or 3 #12 AWG, 2 to 4 #14 AWG,

2 or 4 #16 AWG, 2 to 5 #18 AWG,

Tubular Clamp

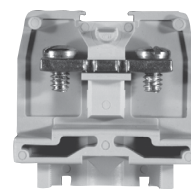
1 #22 AWG to 1 #10 AWG,

2 #12 AWG, 2 or 3 #14 AWG,

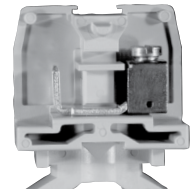
2 to 4 #16 AWG, 2 to 5 #18 AWG,

2 to 8 #20 AWG, 2 to 10 #22 AWG,

Comparison (Type of Block)



Direct Mount
(Flat Base)



Channel Mount
(Dovetail Base)



Note: All part numbers are RoHS Compliant.

Dimensions are in millimeters and inches unless otherwise specified

Dimensions are shown for reference purposes only. Specifications subject to change.

900 Series, Medium Duty

Accessories

Mounting Channel



Miniature		Steel Channel		Pre-punched Aluminum Channel	
Model	Part Number	Model	Part Number	Model	Part Number
12	1437381-8	60 63-BU	9-1437381-1 9-1437381-8	64 67	9-1437381-9 1437382-2
Standard Length					
3 feet		6 feet 3 feet		6 feet 3 feet	

Channel Clamps



Screw Channel Clamps		Universal Clamps		Miniature for #12 Channel	
Model	Part Number	Model	Part Number	Model	Part Number
61	9-1437381-5	68	1437382-3	11	1437381-4

Marking Accessory



Nylon Holding Plug	
Model	Part Number
65-BU	4-1437393-0

Jumper



Jumper for tubular Contacts	
Model	Part Number
70	1437382-6

Note: All part numbers are RoHS Compliant.

Dimensions are in millimeters and inches unless otherwise specified

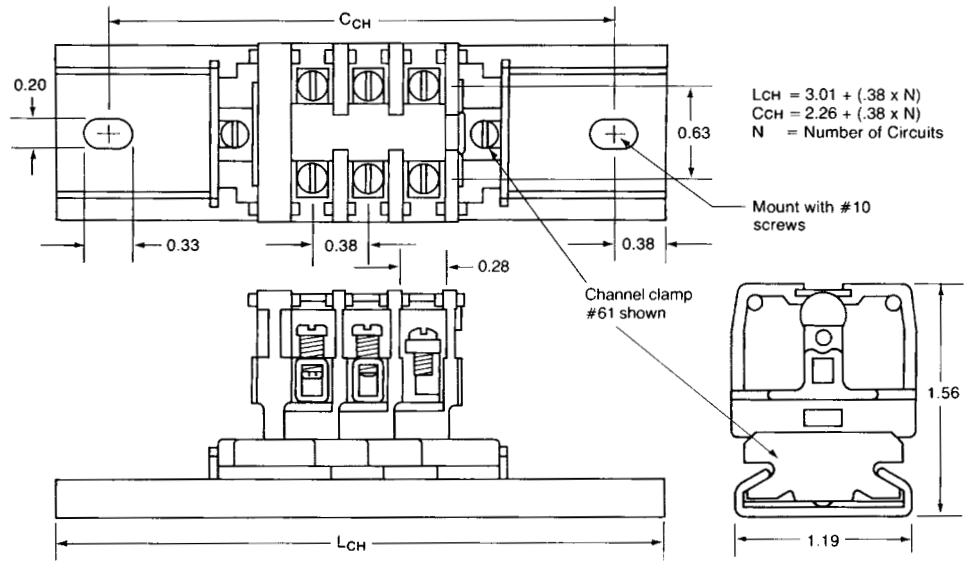
Dimensions are shown for reference purposes only. Specifications subject to change.

900 Series, Medium Duty

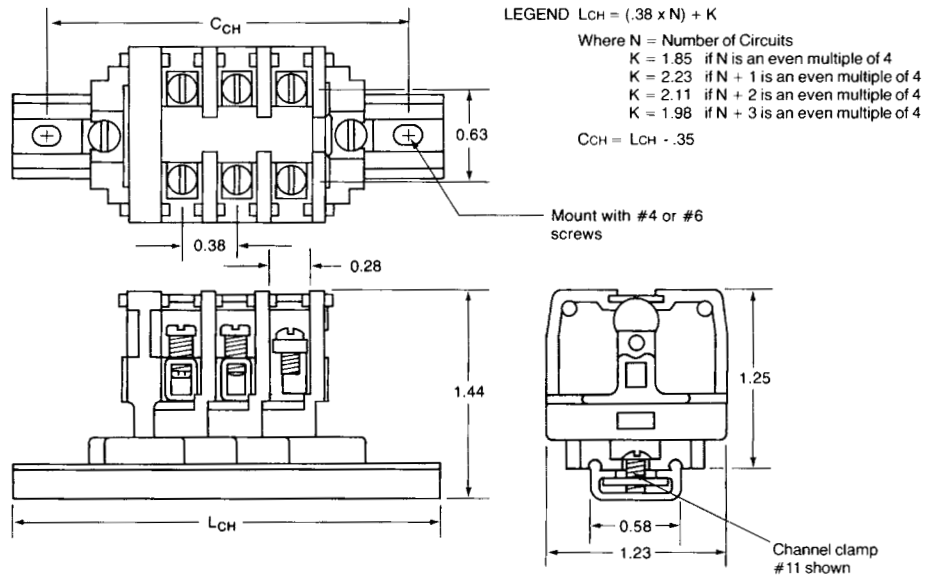
Mounting instructions

Channel Mount

Dovetail Base Mounted On Standard #60 Channel



Flat Base Mounted On Miniature #12 Channel



Note: All part numbers are RoHS Compliant.

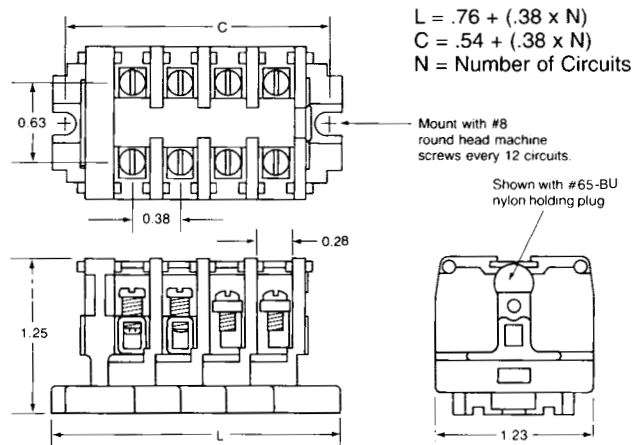
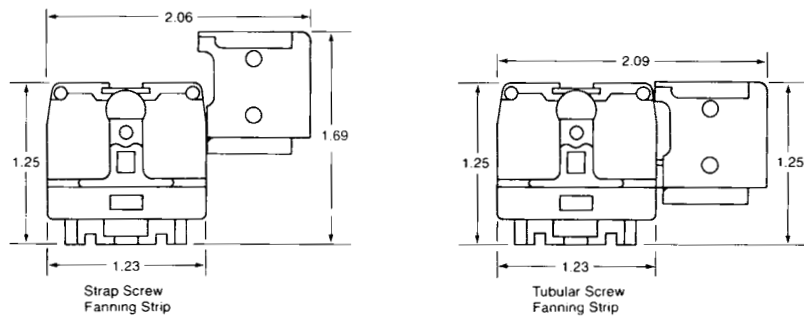
Dimensions are in millimeters and inches unless otherwise specified

Dimensions are shown for reference purposes only. Specifications subject to change.

900 Series, Medium Duty

Mounting instructions

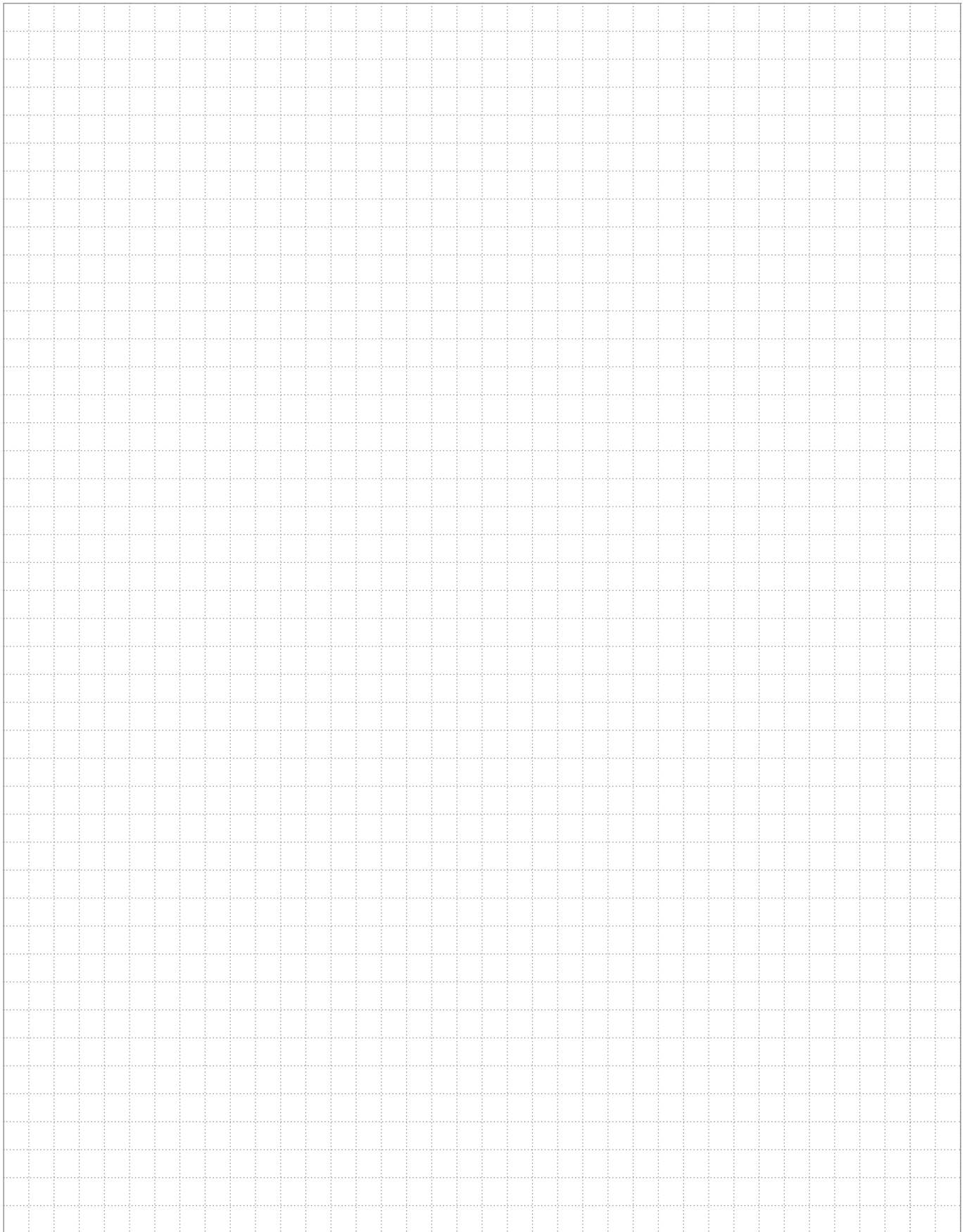
Flat Base Mount



Note: All part numbers are RoHS Compliant.

Dimensions are in millimeters and inches unless otherwise specified

Dimensions are shown for reference purposes only. Specifications subject to change.

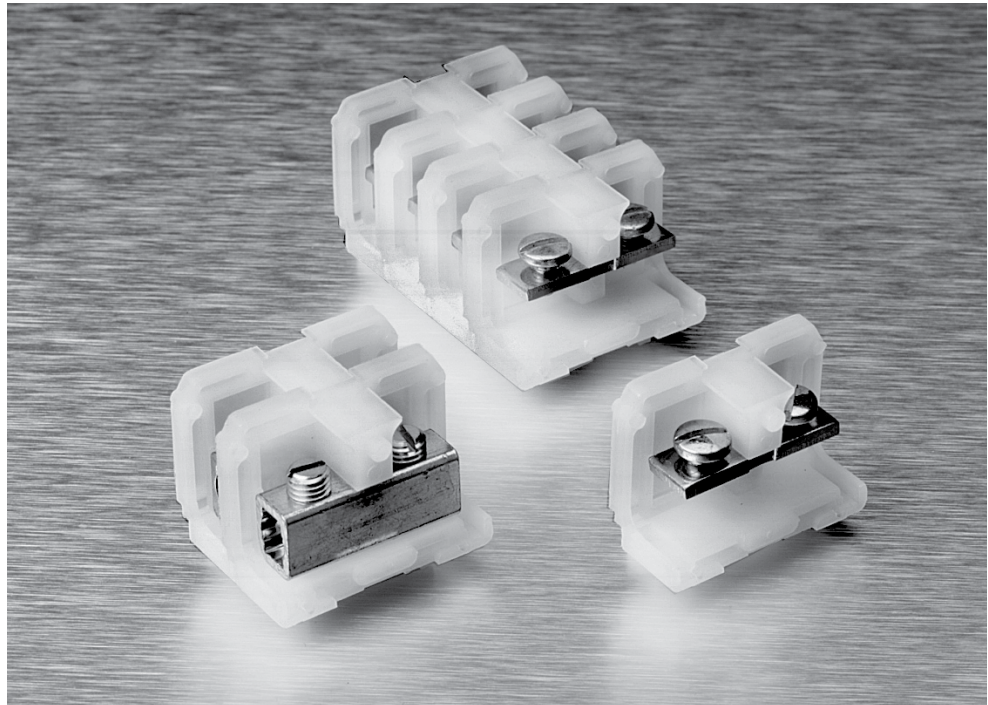


200 Series, Heavy Duty

Presentation

Product Facts

- Choose from 5 different contact styles.
- 600 volt UL and NEMA rating.
- Conservatively rated from 50 to 90 amperes per circuit, depending on which contact style is selected.
- Choose any of three mounting methods — two-way flat base models surface mount directly to the panel or snap-on miniature channel. Dovetail base models mount on standard channel.
- Packaged for rapid handling and assembly — snap-fit sections are packed 10 per carton.
- Only one end section needed per block assembly.
- Readily identify circuits — mark directly on block sections or use removable marking strip. Pre-printed marking strips are also available.



This compact, heavy duty block line accepts single or combination wires up to #4 AWG, solid or stranded. The compact design allows at least 138 circuits per 6-foot length to be mounted. The pitch of this 600 volt block is 0.50" [12.70] (centerline spacing).



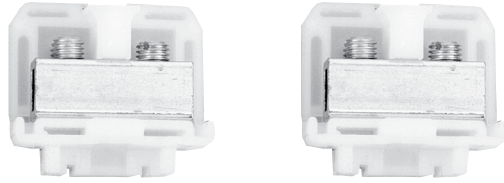
Note: All part numbers are RoHS Compliant.

Dimensions are in millimeters and inches unless otherwise specified

Dimensions are shown for reference purposes only. Specifications subject to change.

200 Series, Heavy Duty

Terminal blocks



Characteristics

Tubular Screw

Tubular Clamp

Type of Block	Model	Part Number	Model	Part Number
Direct Mount (Flat Base) Nylon, Unpainted	242	4-1437390-0	243	4-1437390-1
Channel Mount (Dovetail Base) Nylon, Painted	0242	2-1437390-0	0243	2-1437390-1

Contact Type



Specifications

Wire Range (AWG) Solid & Stranded	18-4	18-6
Wire Strip Length (in.)	1/2	1/2
Screw Type	1/4-28 set screw	1/4-28 set screw
Pitch	0.50" [12.7 mm]	0.50" [12.7 mm]
Ampacity	85 A	65 A
Voltage	600 V	600 V

End Sections

Direct Mount, Nylon	250	4-1437390-3	250	4-1437390-3
Channel Mount, Nylon	0250	2-1437390-5	0250	2-1437390-5

Comparison (Type of Block)



Direct Mount
(Flat Base)



Channel Mount
(Dovetail Base)



LR25557



E63810

Note: All part numbers are RoHS Compliant.

Dimensions are in millimeters and inches unless otherwise specified

Dimensions are shown for reference purposes only. Specifications subject to change.

200 Series, Heavy Duty

Accessories

Mounting Channel



Miniature		Steel Channel		Pre-punched Aluminum Channel	
Model	Part Number	Model	Part Number	Model	Part Number
12	1437381-8	60 63-BU	9-1437381-1 9-1437381-8	64 67	9-1437381-9 1437382-2
Standard Length					
3 feet		6 feet 3 feet		6 feet 3 feet	

Channel Clamps



Screw Channel Clamps		Universal Clamps		Miniature for #12 Channel	
Model	Part Number	Model	Part Number	Model	Part Number
61	9-1437381-5	68	1437382-3	11	1437381-4

Marking Accessory



Nylon Holding Plug	
Model	Part Number
65-BU	4-1437393-0



Note: All part numbers are RoHS Compliant.

Dimensions are in millimeters and inches unless otherwise specified

Dimensions are shown for reference purposes only. Specifications subject to change.

200 Series, Heavy Duty

Specifications

Material & Finish

Voltage Rating: Blocks meet 600 volt creepage and clearance requirements of NEMA, UL and CSA for general industrial control equipment and panelboards. Withstand voltages greatly in excess of IEEE switchgear standards for 750 volts.

Ampacity: For a single #4 AWG wire the maximum amperage recommended is 85 amps.

Standard Contacts:

Material: Electrical grade copper or copper alloy conductor. Steel Screws plated to resist corrosion in most industrial applications

AL-CU Tubular Screw: Aluminum compatibility with aluminum or copper conductors. AL-CU is tin-plated brass.

Nylon Housing:

Material—Nylon; Unfilled Type 6/6

Max. Continuous Temperature—125°C [257°F]

Breakdown Voltage (AC, 60 Hz)—

Contact-to-Contact: 7000V

Contact-to-Ground: 7800V

Dielectric Strength (RH 40% at Sea Level)—470-385 Volts/mil thickness Per ASTM D149

UL High Voltage Arc Tracking (inches/min.)—0.1-.35

Water Absorption (24 hrs. % wt. gain)—1.5%

Flammability—UL94V-2

Chemical Resistance—Resistant to aromatic hydrocarbons, strong alkalies Per ASTM D543

Radiation Resistance (ergs g-1 (C))—8 x 10⁷

Color—Translucent White

Independent Testing Service Listing and Recognition

WIRE SIZES, Solid or Stranded

Tubular Screw

1 #4 AWG, 1 #6 AWG,

1 or 2 #8 AWG, 1 to 4 #10 AWG,

1 or 5 #12 AWG, 1 to 4 #14 AWG,

1 or 6 #16 AWG, 1 to 8 #18 AWG,

Tubular Clamp

1 #6 AWG, 1 or 2 #8 AWG,

1 to 3 #10 AWG, 1 to 4 #12 AWG,

1 or 4 #14 AWG, 1 to 6 #16 AWG,

1 or 8 #18 AWG



LR25557



E63810

Note: All part numbers are RoHS Compliant.

Dimensions are in millimeters and inches unless otherwise specified

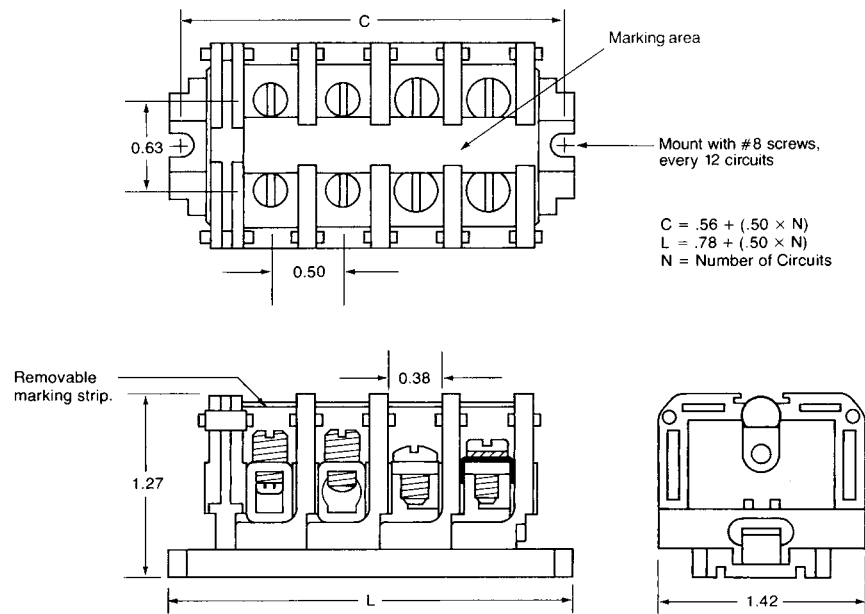
Dimensions are shown for reference purposes only. Specifications subject to change.

200 Series, Heavy Duty

Mounting instructions

Direct Mount

Flat Base



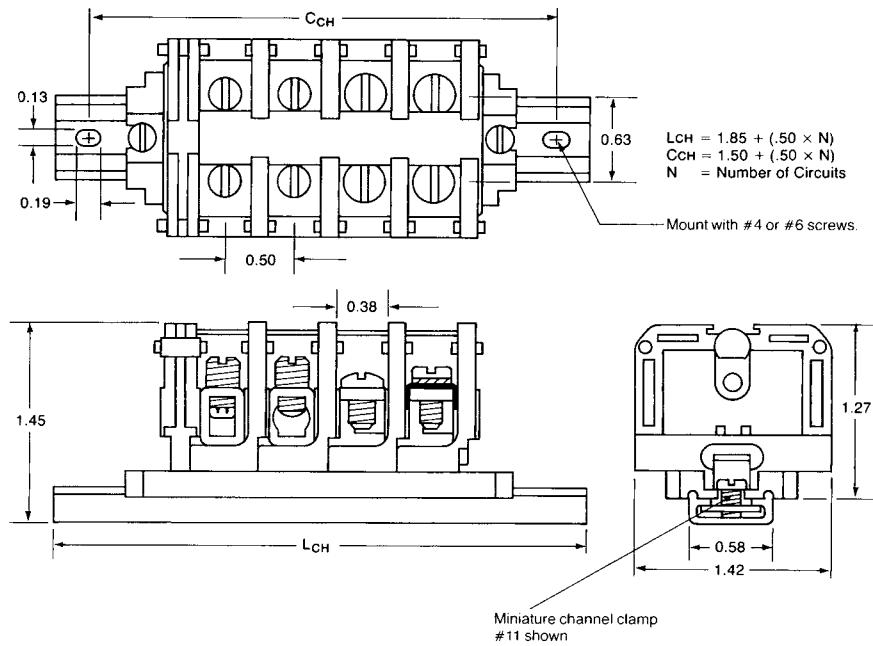
Note: All part numbers are RoHS Compliant.

Dimensions are in millimeters and inches unless otherwise specified

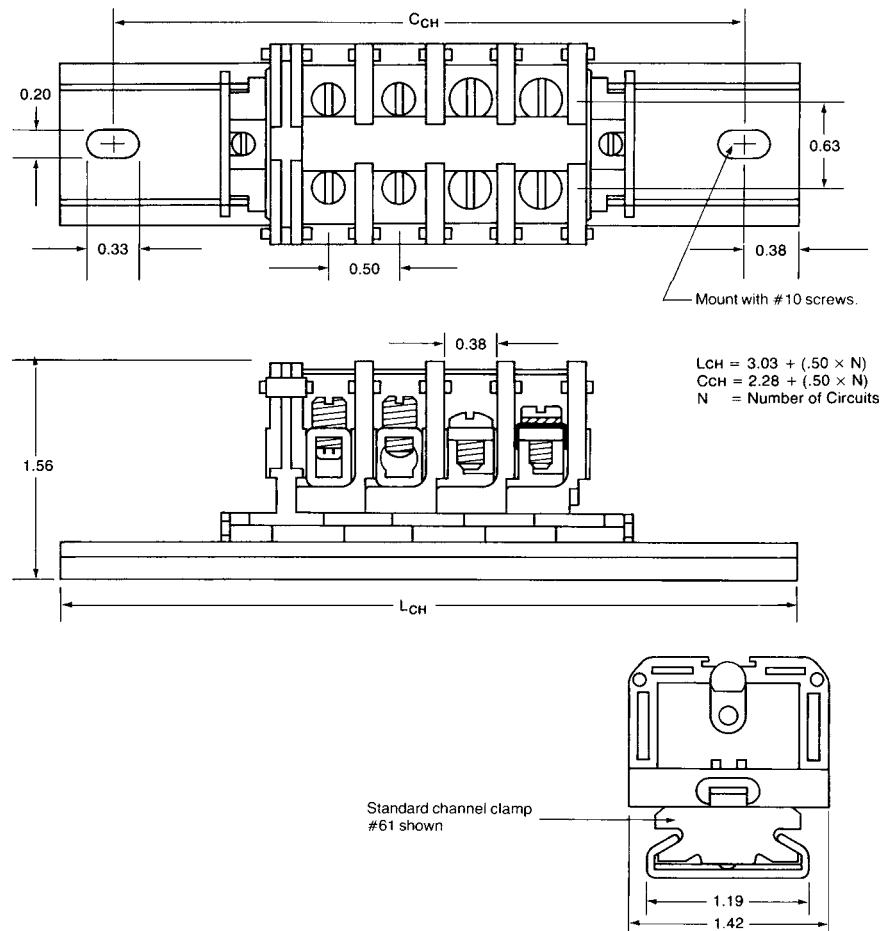
Dimensions are shown for reference purposes only. Specifications subject to change.

Chanel Mount

Flat Base Mounted On #12 Miniature Channel



Dovetail Base Mounted On Standard #60 Channel



Note: All part numbers are RoHS Compliant.

Dimensions are in millimeters and inches unless otherwise specified

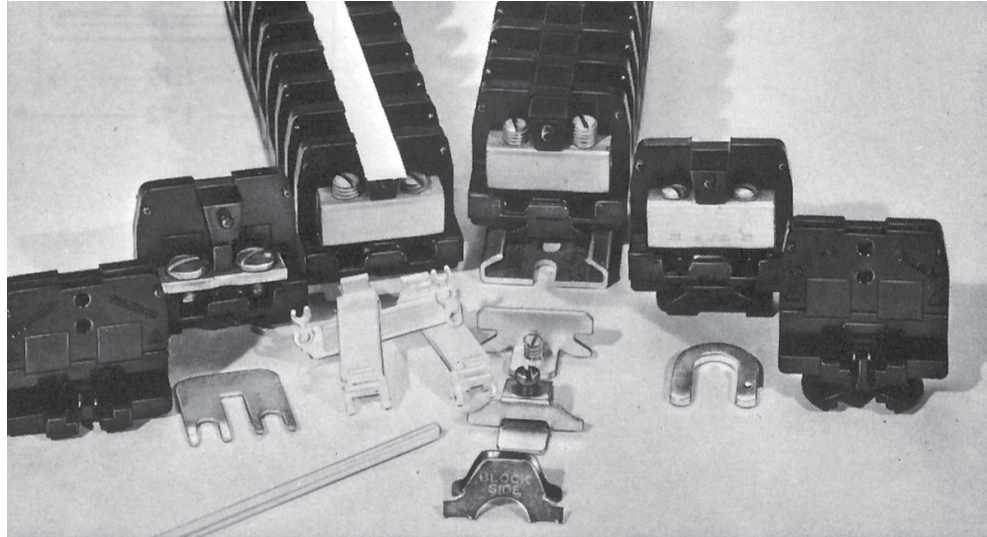
Dimensions are shown for reference purposes only. Specifications subject to change.

200 Series, Heavy Duty Phenolic Blocks

Presentation

Product Facts

- **Sturdy Heavy Duty block** accepts single or combinations of wire up to #4 AWG solid or stranded — at least 122 circuits per 6-foot length, 9/16" center-to-center spacing.
- **Choose from four different contact styles conservatively rated up to 90 amperes.**
- **600 volt UL and NEMA rating.**
- **Surface mounted flat base and channel mounted dovetail base models available.**
- **Only one end section needed per block assembly.**
- **Interlocking sectional fanning strips allow entire circuit groups to be connected and disconnected as a single unit.**
- **Readily identify circuits — available with painted marking surface or use removable marking strip. Pre-printed strips are also available.**
- **Factory assembled blocks available.**
- **Heavy Duty Phenolic Block Sections Snap-fit with 300 & 600 volt, medium duty phenolic, heavy duty nylon and polypropylene, and Fuse and Switch blocks.**



This family of phenolic heavy duty blocks is ideal for high temperature, high current applications. The rugged material withstands temperatures up to 302°F [150°C].

 
LR25557 E63810

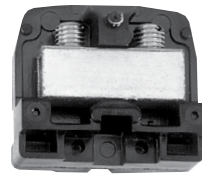
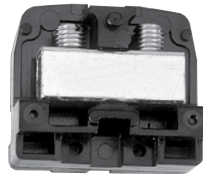
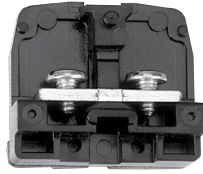
Note: All part numbers are RoHS Compliant.

Dimensions are in millimeters and inches unless otherwise specified

Dimensions are shown for reference purposes only. Specifications subject to change.

200 Series, Heavy Duty Phenolic Blocks

Terminal blocks



Characteristics

Strap Screw

Tubular Screw

Tubular Clamp

Type of Block	Strap Screw		Tubular Screw		Tubular Clamp	
	Model	Part Number	Model	Part Number	Model	Part Number
Direct Mount (Flat Base)						
Painted	221	3-1437390-1	222-BU	3-1437390-3	223-BU	3-1437390-6
Unpainted	211	2-1437390-7	212	2-1437390-8		—
Channel Mount (Dovetail Base)						
Painted	0221	1437390-8	0222	1437390-9	0223	1-1437390-2
Unpainted		—	0212	1437390-3		—
Contact Type						



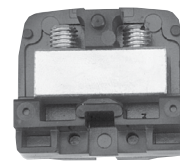
Specifications

	Strap Screw	Tubular Screw	Tubular Clamp
Wire Range (AWG) Solid & Stranded	22-10	18-4	18-6
Wire Strip Length (in.)	—	1/2	1/2
Screw Type	10-32 binding head	1/4-28 set screw	1/4-28 set screw
Pitch	0.56" [14.24 mm]	0.56" [14.24 mm]	0.56" [14.24 mm]
Ampacity	35 A	85 A	65 A
Voltage	600 V	600 V	600 V

End Sections

	Strap Screw	Tubular Screw	Tubular Clamp
Direct Mount	230-BU 1-1437381-7	230-BU 1-1437381-7	230-BU 1-1437381-7
Channel Mount	0230 1-1437390-4	0230 1-1437390-4	0230 1-1437390-4

Comparison (Type of Block)



Direct Mount
(Flat Base)



Channel Mount
(Dovetail Base)



Note: All part numbers are RoHS Compliant.

Dimensions are in millimeters and inches unless otherwise specified

Dimensions are shown for reference purposes only. Specifications subject to change.

200 Series, Heavy Duty Phenolic Blocks

Accessories

Mounting Channel



Steel Channel		Pre-punched Aluminum Channel	
Model	Part Number	Model	Part Number
60	9-1437381-1	64	9-1437381-9
63-BU	9-1437381-8	67	1437382-2
Standard Length			
	6 feet		6 feet
	3 feet		3 feet

Channel Clamps



Screw Channel Clamps		Universal Clamps	
Model	Part Number	Model	Part Number
61	9-1437381-5	68	1437382-3

Marking Accessory



Nylon Holding Plug	
Model	Part Number
65-BU	4-1437393-0

Jumper



Jumper for Strap Contacts	
Model	Part Number
41-BU	2-1437393-3

Note: All part numbers are RoHS Compliant.

Dimensions are in millimeters and inches unless otherwise specified

Dimensions are shown for reference purposes only. Specifications subject to change.

200 Series, Heavy Duty Phenolic Blocks

Specifications

Material & Finish

Standard Contacts

Material: Electrical grade copper or copper alloy conductor. Steel Screws plated to resist corrosion in most industrial applications.

Wire Range:

Strap Screw: #22-10AWG max., solid or stranded with crimp terminals

Tubular Screw: #18-4 AWG, solid or stranded

Tubular Clamp: #18-6 AWG, solid or stranded

Wire Strip Length:

Strap Screw: As needed for lugging

Tubular Screw: 1/2 in. [12.7]

Tubular Clamp: 1/2 in. [12.7]

Screw Type:

Strap Screw: 10-32 slotted binding head

Tubular Screw: 1/4-28 slotted headless

Tubular Clamp: 1/4-28 slotted headless

Strap Screw: Maximum width of lugs: 11/32 in. [8.73]

Independent Testing Service Listing and Recognition

WIRE SIZES, Solid or Stranded Tubular Screw

Strap Clamp

1 #18 to 1 #8 AWG

Tubular Screw

1 #4 AWG, 1 #6 AWG,

1 or 2 #8 AWG, 1 to 4 #10 AWG,

1 or 5 #12 AWG, 1 to 6 #14 AWG,

1 or 6 #16 AWG, 1 to 8 #18 AWG,

Tubular Clamp

1 #6 AWG, 1 or 2 #8 AWG,

1 to 3 #10 AWG, 1 to 4 #12 AWG,

1 or 4 #14 AWG, 1 to 6 #16 AWG,

1 or 8 #18 AWG

Nylon Housing

Material—Phenolic, Filled Flame Retardant

Max. Continuous Temperature—150°C, [302°F]

Breakdown Voltage

Contact-to-Contact: 7800V

Contact-to-Ground: 9400V

Dielectric Strength (RH 40% at Sea Level)—300 Volts/mil thickness per ASTM #D149

UL High Voltage Arc Tracking (Inches/min.)—49-.58 [12.45-14.73]

Water Absorption (24 hrs. % wt. gain)—0.45% per ASTM D570

Flammability—UL94V-1

Chemical Resistance—Resistant to acids, alkalis, and aliphatic hydrocarbons and ketones, per ASTM D543.

Radiation Resistance (ergs g-1 (C))—2.7 x 10⁸ min.

Color—Black



Note: All part numbers are RoHS Compliant.

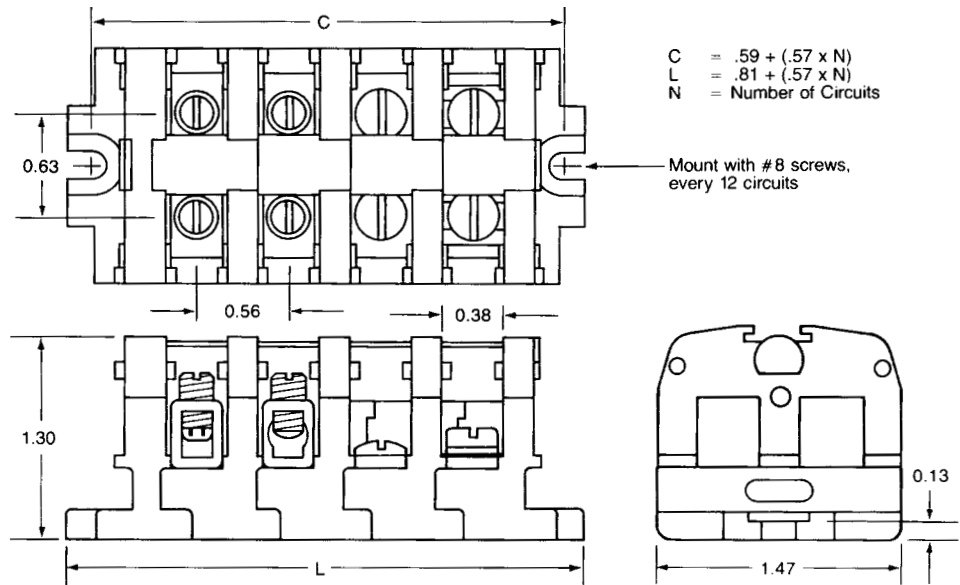
Dimensions are in millimeters and inches unless otherwise specified

Dimensions are shown for reference purposes only. Specifications subject to change.

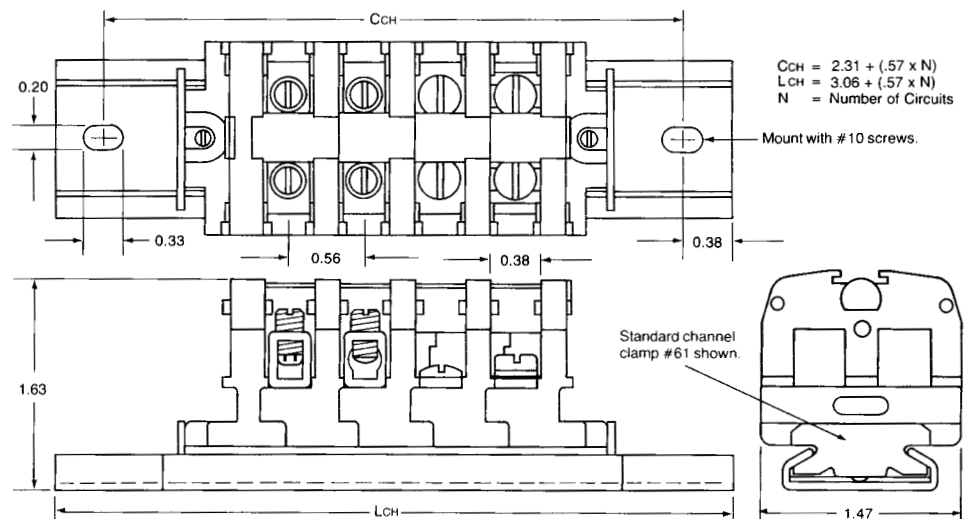
200 Series, Heavy Duty Phenolic Blocks

Mounting instructions

Flat Base



Dovetail Base Mounted On Standard #60 Channel



Note: All part numbers are RoHS Compliant.

Dimensions are in millimeters and inches unless otherwise specified

Dimensions are shown for reference purposes only. Specifications subject to change.

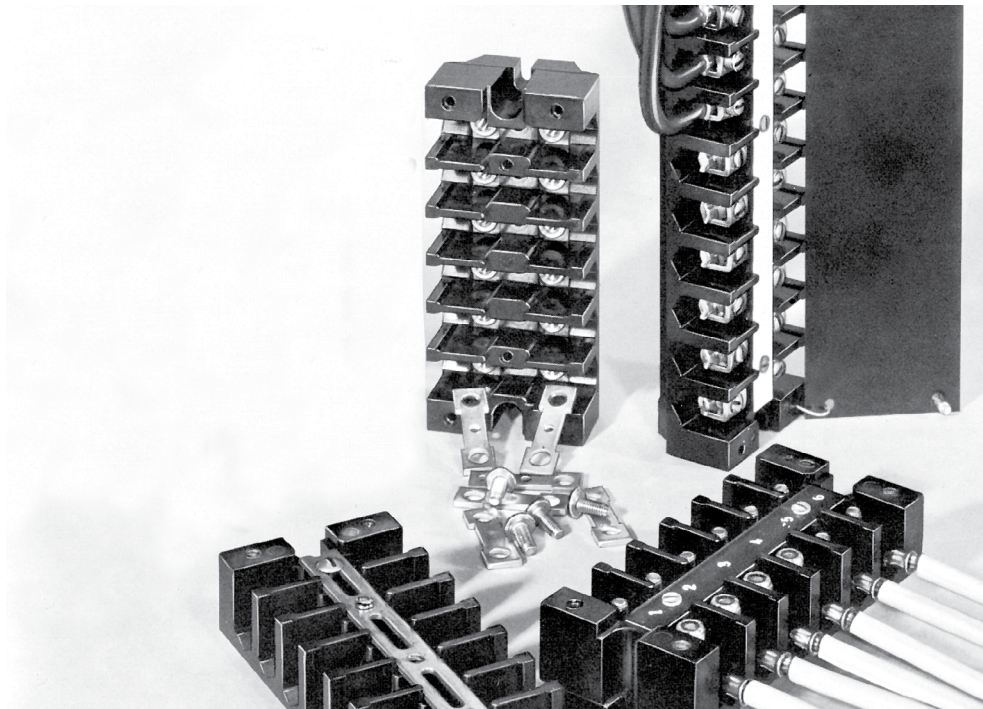
A large rectangular area filled with a grid of small, evenly spaced dotted lines, intended for taking handwritten notes.

B100, #B100 Series, One-Piece Phenolic Blocks

Presentation

Product Facts

- Two, four, six, eight, and twelve circuit models available — 5/8" [15.88] center-to-center contact spacing.
- No assembly required — each is a single, easily installed unit.
- Three contact styles available — strap screw, captive strap clamp, and moving tubular contact.
- Use wire up to #6 AWG with tubular contact. Strap screw and strap clamp contacts are available for #8 and smaller.
- Withstand voltages in excess of IEEE standards for 750 volts. Meet clearance and creepage spacings specified in UL, CSA, and NEMA Industrial Control Standards for 600 Volts.
- Strap contacts rated at 50 amperes — tubular contact conservatively rated at 70 amperes.
- Pilot point screws supplied with strap screw and clamp contacts — speeds installation time.
- Plain white marking strip supplied with each block — circuits are easily identified.
- Special purpose blocks available—choose from blocks with solder posts, printed circuit board pins, or nuts on screw posts, removable circuit links, and a shorting bar.



Traditionally, these rugged One-Piece Blocks are the standard means of connection for heavy industrial applications like rail transport, utility, and traffic control industries. Ideal for dirty and vibration prone environments.



Note: All part numbers are RoHS Compliant.

Dimensions are in millimeters and inches unless otherwise specified

Dimensions are shown for reference purposes only. Specifications subject to change.

B100, #B100 Series, One-Piece Phenolic Blocks

Terminal blocks and accessory

Material & Finish

Housing Material—Phenolic, filled flame retardant

Flammability—UL94V-1

Color—Black

Contacts

Standard Material—Electrical grade copper or copper alloy conductor. Steel screws plated to resist corrosion in most industrial applications.

Brass Material—For Corrosive Environment (2B100, 4B100 Series) Nickel plated brass straps and screws. Meets specification QQ-N-290A Class 1, Grade G

Wire Range—Strap Screw: #18-8 AWG solid or stranded

Screw Type—Strap Screw: #10-32 Binding Head

Strap Screw—7/16" [11.11] max. lug width

Mechanical Properties

Pitch (terminal spacing)— .63" [16.00]

Wire Strip Length—Strap Screw: as needed for lugging

Electrical Properties

Maximum Current—70A for a single #6 AWG wire

Operating Voltage—Blocks meet 600V creepage and clearance requirements for general industrial control equipment and panelboards; greatly exceeds IEEE switchgear standards for 750 volts.

Dielectric Strength (RH 40% @ sea level)—300 Volts/mil thickness per ASTM D149

UL High Voltage Arc Tracking (in./min.)— .49-.58 [12.45-14.73]

Environmental Properties

Max. Continuous Temperature— 150°C (302°F)

Water Absorption (24hrs. % wt. gain)— .45% per ASTM D570

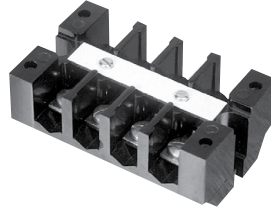
Chemical Resistance—Resistant to acids, alkalis, and aliphatic hydrocarbons and ketones per ASTM D543

Radiation Resistance (ergs G⁻¹ (C))—2.7 x 10⁸ min



UL Independent Testing Service Recognitions

Wire Sizes—Solid or Stranded, Tubular Clamp

1—#6 AWG, 1—#8 AWG, 1 or 2— #10 AWG, 1 or 2—#12 AWG, 1 to 3— #14 AWG, 1—#10 & 1—#12 AWG
1— #12 & 1— #14 AWG



Circuits Steel Screw w/Strap Brass Screw w/Strap

Type of circuit	Model	Part Number	Model	Part Number
Contact Type				
				
Specifications				
Ampacity	50 A		50 A	
Voltage	600 V		600 V	
Standard				
2	—		2B102	2-1437381-0
4	B104	3-1437382-0	2B104	2-1437381-2
6	B106-BU	4-1437382-0	—	
12	B112-BU	5-1437382-9	2B112	3-1437381-3
Shorting*				
6	—		4B106P	5-1437381-8

Notes:

For prenumbered marking strip, add suffix "N" to Catalog Number. Cannot be used on 3B or 4B series.

For factory assembled hinged cover, add suffix "H" to Catalog Number. Cannot be used on 3B or 4B series.

For factory assembled thumbscrew-fastened cover, add suffix "T" to Catalog Number. Cannot be used on 3B or 4B series.

*Shorting blocks are supplied with 2 shorting screws each.

Marking Accessory



Circuits	White Marking Strip	
	Model	Part Number
12	S112	1-1437383-9

Except for 3B and 4B Series



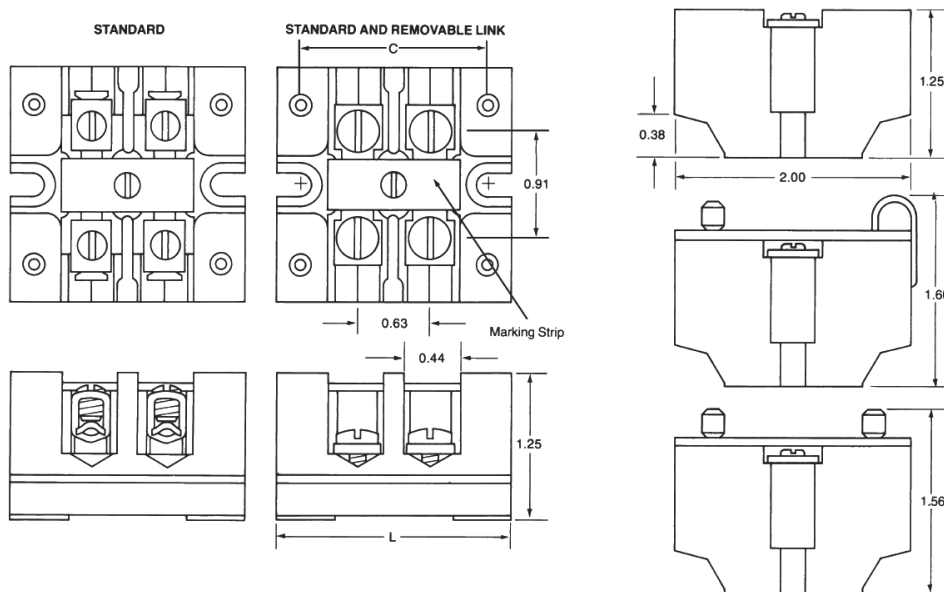
Note: All part numbers are RoHS Compliant.

Dimensions are in millimeters and inches unless otherwise specified

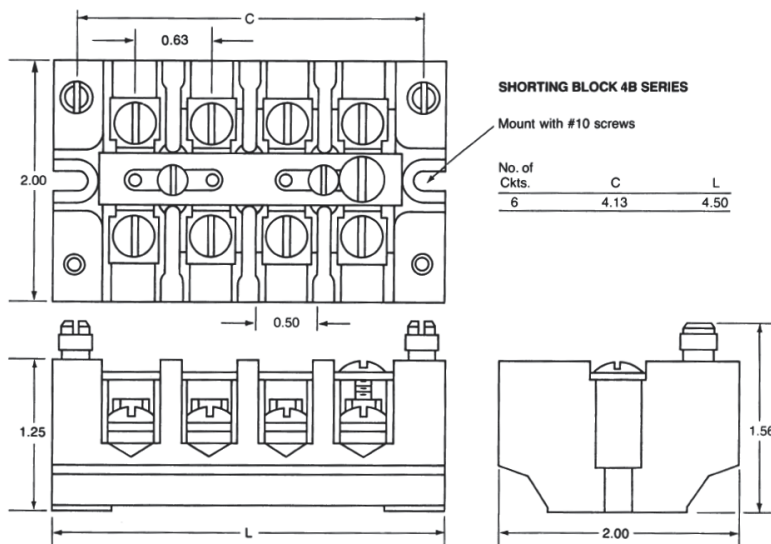
Dimensions are shown for reference purposes only. Specifications subject to change.

B100, #B100 Series, One-Piece Phenolic Blocks

Mounting instructions



No. of Ckts.	C	L
2	1.63	2.00
4	2.88	3.25
6	4.13	4.50
12	7.88	8.25



Note: All part numbers are RoHS Compliant.

Dimensions are in millimeters and inches unless otherwise specified

Dimensions are shown for reference purposes only. Specifications subject to change.

Circuit identification is greatly simplified with the use of pre-printed strips for BUCHANAN terminal blocks. These hot-stamped strips are available for all snap-assembled sections (except Fuse, Switch, and Circuit Breaker models which are marked individually). The strips can be ordered separately or pre-installed on factory assembled sectional block units.

Unlike painted or screened letters, hot-stamped letters are designed to not rub or flake off during industrial use so that they will retain their legibility.

Marking strips are stamped with consecutive numbers that can be ordered to read from left-to-right or right-to-left, and in vertical or horizontal positions. Number sequences can begin with any number. This allows circuits to be identified in a manner most consistent with the terminal block application.

M 50 005 13 G

A B C D E

- A** M = Hot-Stamped Marking Strip
- B** Terminal Block Series and Designator
 - 10 = Miniature or Single Tier
 - 12 = Double Tier
 - 67 = 900 Series Medium Duty
 - 24 = Nylon Heavy Duty
 - 21 = Phenolic Heavy Duty
 - 80 = Intermediate Heavy Duty
 - 40 = Ultra Heavy Duty
 - T2 = TSB230
 - T5 = TSB500
 - T6 = TSB1000
 - T7 = TSB2000
- C** Number of Circuits to be Consecutively Numbered
(Use three digits: Ex.: 005 = 5, 055 = 55, etc.)
- D** Marking Style Options
 - 11 = 1 2 3 4 5...
 - 12 = ...5 4 3 2 1
 - 13 = ... ၁ ၂ ၃ ၄ ၅
 - 14 = ... ၅ ၄ ၃ ၂ ၁
- E** "First Number In Series" Designator*

A = 1	F = 6
B = 2	G = 7
C = 3	H = 8
D = 4	J = 9
E = 5	K = 0

**Marking Strip Installed
On A Factory-Assembled Terminal Block**

615 005 11 A

A B C D

- A** Basic Sectional Block Catalog #
- B** Number of Circuits to be Factory Assembled and Consecutively Numbered
(Use three digits: Ex: 005 = 5, 055 = 55, etc.)
- C** Marking Style Options
 - 11 = 1 2 3 4 5...
 - 12 = ...5 4 3 2 1
 - 13 = ၁ ၂ ၃ ၄ ၅...
 - 14 = ... ၅ ၄ ၃ ၂ ၁
- D** "First Number In Series" Designator*

A = 1	F = 6
B = 2	G = 7
C = 3	H = 8
D = 4	J = 9
E = 5	K = 0

* Letters in this position designate the first number to be used in the consecutive sequence. Ex.: "A" would start the sequence with the number 1. "EK" would start the sequence with the number 50. "BKK" would start the series with 200. For non-sequential numbering and special characters, consult Technical Support.

Technical Summary

Model	Terminal Block or Product Line	Contact Type Material Plate	Screw		Material & Plating	Recommended Screwdriver Dimensions		Wire Strip Length	Wire Range AWG	Rec. Torque in. - lb.
			Screw Style	Slot Size		Tip Thick	Tip Width			
211	HeavyDuty	Copper Alloy Strap Electroplated	Binding Head 10-32 Thread	062" Wide x 062" Deep [1.57 x 1.57]	Steel Electroplated	.037" [.94]	1/4" [6.35]	As Needed for Lugging	#8 or Smaller	12
212	Heavy Duty	Electroplate	Headless 1/4"-28 Thd. Slotted	3/64" Wide x 1/16" Deep [1.19 x 1.59]	Steel Electroplated	.037" [.94]	1/4" [6.35]	1/2" [12.7]	#4-18	35
222-BU	Tubular Screw	Tubular Copper Contact								
243	Tubular Clamp	Tubular Copper Contact	Headless 1/4"-28 Thd. Slotted	3/64" Wide x 1/16" Deep [1.19 x 1.59]	Steel Electroplated	.037" [.94]	1/4" [6.35]		#6-18	35
1546235-1	Medium Duty Tubular Clamp	Electroplated Tubular Copper Contact	10-32 Slotted Hd	.046" Wide x .046" Deep [1.17 x 1.17]	Steel Electroplated	.032" [.81]	3/16" [4.76]	11/32" [8.73]	#10-22	8
1546148-1	Medium Duty Tubular Screw	Electroplated Tubular Copper Contact	10-32 Slotted Hd	.046" Wide x .046" Deep [1.17 x 1.17]	Steel Electroplated	.032" [.81]	3/16" [4.76]	11/32" [8.73]		8
1546143-1	Medium Duty Strap Screw	Copper Alloy Strap Electroplated	6-32 Thd. Slotted Binding Hd.	3/64" Wide x 3/64" Deep [1.19 x 1.19]	Steel Electroplated	.032" [.81]	3/16" [4.76]	As Needed for Lugging	#8 or Smaller	12
B112-BU	One-Piece Blk. Strap Screw	Copper Alloy Strap Electroplated	10-32 Thd. Slotted Binding Hd.	1/16" Wide x 1/16" Deep [1.59 x 1.59]	Steel Electroplated	.037" [.94]	1/4" [6.35]	As Needed for Lugging	#8 or Smaller	20

Note: Representative Catalog Numbers Listed.

Part Number	Model	Series	Type Description	Page
900 SERIES, MEDIUM DUTY				
1546143-1	921	900 Series, Medium Duty	Strap Screw - Direct Mount - Terminal Block	6
1546144-1	0921	900 Series, Medium Duty	Strap Screw - Channel Mount - Terminal Block	6
1546147-1	924	900 Series, Medium Duty	Tubular Screw - Direct Mount - Terminal Block	6
1546148-1	0924	900 Series, Medium Duty	Tubular Screw - Channel Mount - Terminal Block	6
1546234-1	925	900 Series, Medium Duty	Tubular Clamp - Direct Mount - Terminal Block	6
1546234-2	D925	900 Series, Medium Duty	Tubular Clamp - Direct Mount Duramax	6
1546235-1	0925	900 Series, Medium Duty	Tubular Clamp - Channel Mount - Terminal Block	6
1546149-1	927	900 Series, Medium Duty	Quick Connect - Direct Mount - Terminal Block	6
1546163-1	930	900 Series, Medium Duty	End sections - Direct Mount	6
1546164-1	0930	900 Series, Medium Duty	End sections - Channel Mount	6
1437382-6	70	900 Series, Medium Duty	Jumper for Tubular contacts	7
200 SERIES, HEAVY DUTY				
4-1437390-0	242	200 Series, Heavy Duty	Tubular Screw - Direct Mount - Terminal Block	12
2-1437390-0	0242	200 Series, Heavy Duty	Tubular Screw - Channel Mount - Terminal Block	12
4-1437390-1	243	200 Series, Heavy Duty	Tubular Clamp - Direct Mount - Terminal Block	12
2-1437390-1	0243	200 Series, Heavy Duty	Tubular Clamp - Channel Mount - Terminal Block	12
4-1437390-3	250	200 Series, Heavy Duty	End sections - Direct Mount	12
2-1437390-5	0250	200 Series, Heavy Duty	End sections - Channel Mount	12
200 SERIES, HEAVY DUTY PHENOLIC BLOCKS				
3-1437390-1	221	200 Series, Heavy Duty Phenolic Blocks	Strap Screw - Direct Mount - Terminal Block	18
2-1437390-7	211	200 Series, Heavy Duty Phenolic Blocks	Strap Screw - Direct Mount - Terminal Block	18
1437390-8	0221	200 Series, Heavy Duty Phenolic Blocks	Strap Screw - Channel Mount - Terminal Block	18
3-1437390-3	222-BU	200 Series, Heavy Duty Phenolic Blocks	Tubular Screw - Direct Mount - Terminal Block	18
2-1437390-8	212	200 Series, Heavy Duty Phenolic Blocks	Tubular Screw - Direct Mount - Terminal Block	18
1437390-9	0222	200 Series, Heavy Duty Phenolic Blocks	Tubular Screw - Channel Mount - Terminal Block	18
1437390-3	0212	200 Series, Heavy Duty Phenolic Blocks	Tubular Screw - Channel Mount - Terminal Block	18
3-1437390-6	223-BU	200 Series, Heavy Duty Phenolic Blocks	Tubular Clamp - Direct Mount - Terminal Block	18
1-1437390-2	0223	200 Series, Heavy Duty Phenolic Blocks	Tubular Clamp - Channel Mount - Terminal Block	18
1-1437381-7	230-BU	200 Series, Heavy Duty Phenolic Blocks	End sections - Direct Mount	18
1-1737390-4	0230	200 Series, Heavy Duty Phenolic Blocks	End sections - Channel Mount	18
2-1437393-3	41-BU	200 Series, Heavy Duty Phenolic Blocks	Jumper for Strap contacts	19
B100, #B100 SERIES, ONE-PIECE PHENOLIC BLOCKS				
3-1437382-0	B104	B100, #B100 Series, One-Piece Phenolic Blocks	Terminal block - Steel screw w/strap - 4 circuits	24
4-1437382-0	B106-BU	B100, #B100 Series, One-Piece Phenolic Blocks	Terminal block - Steel screw w/strap - 6 circuits	24
5-1437382-9	B112-BU	B100, #B100 Series, One-Piece Phenolic Blocks	Terminal block - Steel screw w/strap - 12 circuits	24
2-1437381-0	2B102	B100, #B100 Series, One-Piece Phenolic Blocks	Terminal block - Brass screw w/strap - 2 circuits	24
2-1437381-2	2B104	B100, #B100 Series, One-Piece Phenolic Blocks	Terminal block - Brass screw w/strap - 4 circuits	24
3-1437381-3	2B112	B100, #B100 Series, One-Piece Phenolic Blocks	Terminal block - Brass screw w/strap - 12 circuits	24
5-1437381-8	4B106P	B100, #B100 Series, One-Piece Phenolic Blocks	Shorting terminal block - Brass screw w/strap - 6 circuits	24
1-1437383-9	S112	B100, #B100 Series, One-Piece Phenolic Blocks	Marking strip for 12 circuits	24
COMMON ACCESSORIES				
1437381-8	12	Accessories	Miniature Mounting Channel	7, 13
9-1437381-1	60	Accessories	Steel Mounting Channel - 6 feet	7, 13, 19
9-1437381-8	63-BU	Accessories	Steel Mounting Channel - 3 feet	7, 13, 19
9-1437381-9	64	Accessories	Pre-punched Aluminum Mounting Channel - 6 feet	7, 13, 19
1437382-2	67	Accessories	Pre-punched Aluminum Mounting Channel - 3 feet	7, 13, 19
9-1437381-5	61	Accessories	Screw Channel Clamp	7, 13, 19
1437382-3	68	Accessories	Universal Channel Clamp	7, 13, 19
1437381-4	11	Accessories	Miniature Channel Clamp for #12 Channel	7, 13, 19
4-1437393-0	65-BU	Accessories	Nylon holding plug	7, 13, 19

Index

Part number classification

Part Number	Model	Series	Type Description	Page
1				
1-1437381-7	230-BU	200 Series, Heavy Duty Phenolic Blocks	End sections - Direct Mount	18
1-1437383-9	S112	B100, #B100 Series, One-Piece Phenolic Blocks	Marking strip for 12 circuits	24
1-1437390-2	0223	200 Series, Heavy Duty Phenolic Blocks	Tubular Clamp - Channel Mount - Terminal Block	18
1-1737390-4	0230	200 Series, Heavy Duty Phenolic Blocks	End sections - Channel Mount	18
1437381-4	11	Accessories	Miniature Channel Clamp for #12 Channel	7, 13, 19
1437381-8	12	Accessories	Miniature Mounting Channel	7, 13
1437382-2	67	Accessories	Pre-punched Aluminum Mounting Channel - 3 feet	7, 13, 19
1437382-3	68	Accessories	Universal Channel Clamp	7, 13, 19
1437382-6	70	Accessories	Jumper for Tubular contacts	7
1437390-3	0212	200 Series, Heavy Duty Phenolic Blocks	Tubular Screw - Channel Mount - Terminal Block	18
1437390-8	0221	200 Series, Heavy Duty Phenolic Blocks	Strap Screw - Channel Mount - Terminal Block	18
1437390-9	0222	200 Series, Heavy Duty Phenolic Blocks	Tubular Screw - Channel Mount - Terminal Block	18
1546143-1	921	900 Series, Medium Duty	Strap Screw - Direct Mount - Terminal Block	6
1546144-1	0921	900 Series, Medium Duty	Strap Screw - Channel Mount - Terminal Block	6
1546147-1	924	900 Series, Medium Duty	Tubular Screw - Direct Mount - Terminal Block	6
1546148-1	0924	900 Series, Medium Duty	Tubular Screw - Channel Mount - Terminal Block	6
1546149-1	927	900 Series, Medium Duty	Quick Connect - Direct Mount - Terminal Block	6
1546163-1	930	900 Series, Medium Duty	End sections - Direct Mount	6
1546164-1	0930	900 Series, Medium Duty	End sections - Channel Mount	6
1546234-1	925	900 Series, Medium Duty	Tubular Clamp - Direct Mount - Terminal Block	6
1546234-2	D925	900 Series, Medium Duty	Tubular Clamp - Direct Mount Duramax	6
1546235-1	0925	900 Series, Medium Duty	Tubular Clamp - Channel Mount - Terminal Block	6
2				
2-1437381-0	2B102	B100, #B100 Series, One-Piece Phenolic Blocks	Terminal block - Brass screw w/strap - 2 circuits	24
2-1437381-2	2B104	B100, #B100 Series, One-Piece Phenolic Blocks	Terminal block - Brass screw w/strap - 4 circuits	24
2-1437390-0	0242	200 Series, Heavy Duty	Tubular Screw - Channel Mount - Terminal Block	12
2-1437390-1	0243	200 Series, Heavy Duty	Tubular Clamp - Channel Mount - Terminal Block	12
2-1437390-5	0250	200 Series, Heavy Duty	End sections - Channel Mount	12
2-1437390-7	211	200 Series, Heavy Duty Phenolic Blocks	Strap Screw - Direct Mount - Terminal Block	18
2-1437390-8	212	200 Series, Heavy Duty Phenolic Blocks	Tubular Screw - Direct Mount - Terminal Block	18
2-1437393-3	41-BU	200 Series, Heavy Duty Phenolic Blocks	Jumper for Strap contacts	19
3				
3-1437381-3	2B112	B100, #B100 Series, One-Piece Phenolic Blocks	Terminal block - Brass screw w/strap - 12 circuits	24
3-1437382-0	B104	B100, #B100 Series, One-Piece Phenolic Blocks	Terminal block - Steel screw w/strap - 4 circuits	24
3-1437390-1	221	200 Series, Heavy Duty Phenolic Blocks	Strap Screw - Direct Mount - Terminal Block	18
3-1437390-3	222-BU	200 Series, Heavy Duty Phenolic Blocks	Tubular Screw - Direct Mount - Terminal Block	18
3-1437390-6	223-BU	200 Series, Heavy Duty Phenolic Blocks	Tubular Clamp - Direct Mount - Terminal Block	18
4				
4-1437382-0	B106-BU	B100, #B100 Series, One-Piece Phenolic Blocks	Terminal block - Steel screw w/strap - 6 circuits	24
4-1437390-0	242	200 Series, Heavy Duty	Tubular Screw - Direct Mount - Terminal Block	12
4-1437390-1	243	200 Series, Heavy Duty	Tubular Clamp - Direct Mount - Terminal Block	12
4-1437390-3	250	200 Series, Heavy Duty	End sections - Direct Mount	12
4-1437393-0	65-BU	Accessories	Nylon holding plug	7, 13, 19
5				
5-1437381-8	4B106P	B100, #B100 Series, One-Piece Phenolic Blocks	Shorting terminal block - Brass screw w/strap - 6 circuits	24
5-1437382-9	B112-BU	B100, #B100 Series, One-Piece Phenolic Blocks	Terminal block - Steel screw w/strap - 12 circuits	24
9				
9-1437381-1	60	Accessories	Steel Mounting Channel - 6 feet	7, 13, 19
9-1437381-5	61	Accessories	Screw Channel Clamp	7, 13, 19
9-1437381-8	63-BU	Accessories	Steel Mounting Channel - 3 feet	7, 13, 19
9-1437381-9	64	Accessories	Pre-punched Aluminum Mounting Channel - 6 feet	7, 13, 19

LET'S CONNECT

We make it easy to connect with our experts and are ready to provide all the support you need. For additional information or product assistance, please contact your field representative or our customer service department. Additional information is also available on the website <http://www.te.com/entrelec>.

TECHNICAL SUPPORT

te.com/support-center

Asia:

+86 400-820-6015

Europe, Middle East, & Africa:

+49 6251-133-0

North America:

+1-888-441-9982

te.com

ENTRELEC, TE Connectivity, TE Connectivity (logo) and Every Connection Counts are trademarks. All other logos, products and/or company names referred to herein might be trademarks of their respective owners.

All other logos, products and/or company names referred to herein might be trademarks of their respective owners.

The information given herein, including drawings, illustrations and schematics which are intended for illustration purposes only, is believed to be reliable. However, TE Connectivity makes no warranties as to its accuracy or completeness and disclaims any liability in connection with its use. TE Connectivity's obligations shall only be as set forth in TE Connectivity's Standard Terms and Conditions of Sale for this product and in no case will TE Connectivity be liable for any incidental, indirect or consequential damages arising out of the sale, resale, use or misuse of the product. Users of TE Connectivity products should make their own evaluation to determine the suitability of each such product for the specific application.

© 2019 TE Connectivity Ltd. family of companies All Rights Reserved.

8-1773982-6 12/19

TE Connectivity

3, rue Jean Perrin
69687 Chassieu cedex
France

Tel: +33 481923100

www.te.com/