

## K400 Series, Rated up to 400 Amps, 28 Vdc



### Product Facts

- SPST NO, Double break
- Buss bar or chassis mount design
- Gasket sealed
- Auxiliary contacts available
- Meets many requirements of MIL-PRF-6106

### Coil Type

### Performance Data

#### Electrical Characteristics

- Contact Arrangement** — SPST NO, Double Break
- Rated Operating Voltage** — 28 Vdc
- Resistive Rating** — 400 Amps
- Overload Rating** — 3,200 Amps
- Rupture Rating** — 4,000 Amps

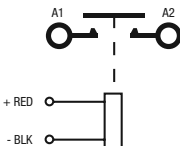
### General Characteristics

- Temperature Range** — -40°C to +85°C
- Operating Cycles (Life) at Rated Resistive Load, Min.** — 50,000 cycles
- Operating Cycles (Life) Mechanical, Min.** — 100,000 cycles
- Dielectric Strength** — All Circuits to Ground — 1,250 Vrms  
Circuit to Circuit — 1,250 Vrms  
Coil to Ground and Aux. Contacts — 1,000 Vrms
- Altitude, Max.** — 50,000 ft.
- Weight, Max.** — .59 -.75 lbs

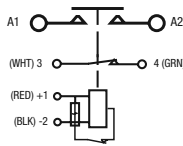
### Coil Characteristics

- Duty Cycle** — Economized with suppression (Type A, See diagram below), Continuous (Type B, See diagram below), Intermittent (Type C, See diagram below)
- Operating Voltage, Nom.** — 28 Vdc
- Pickup Voltage @ 250°C, Max.** — 18 Vdc - Economized and continuous duty coil  
12 Vdc - Intermittent duty coil
- Dropout Voltage, Max.** — 7 Vdc - Economized and continuous duty  
5 Vdc - Intermittent duty coil

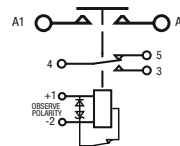
Circuit Configurations (Consult TE for other available circuit configurations)



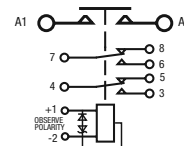
Circuit Configuration 1



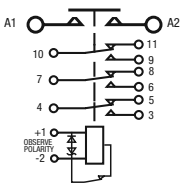
Circuit Configuration 2



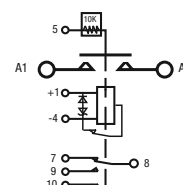
Circuit Configuration 3



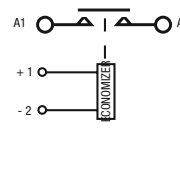
Circuit Configuration 4



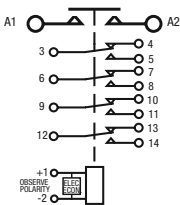
Circuit Configuration 5



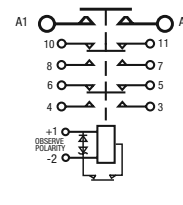
Circuit Configuration 6



Circuit Configuration 7



Circuit Configuration 8

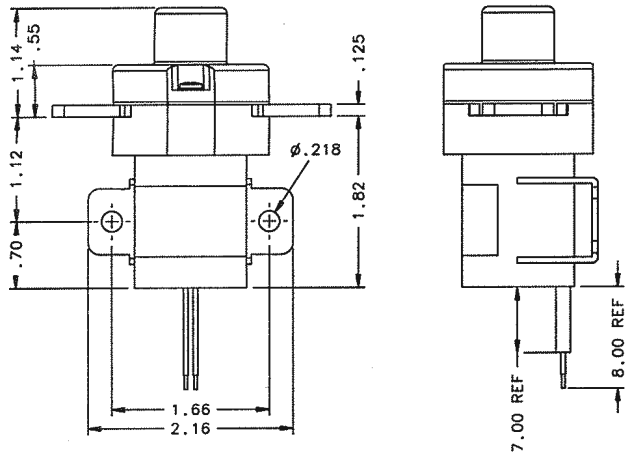
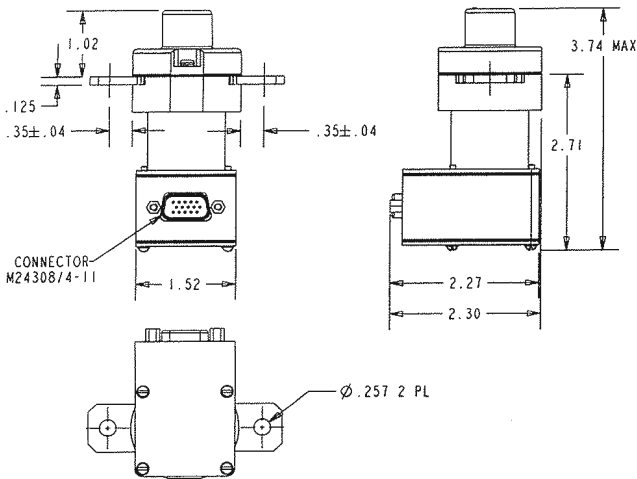
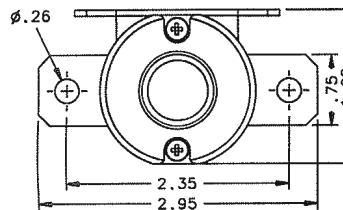
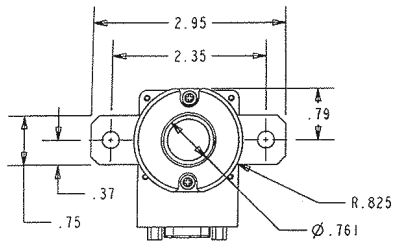


Circuit Configuration 9

HARTMAN Part No.	Mounting Style	Coil Type	Circuit Configuration	TE Part No.
K4001A3C	Chassis Mount	Economized with Suppression	4	6-1616968-5
K4001B3C	Bus Bar Mount		4	4-1616959-0
K400A1F	Chassis Mount	Continuous	1	6-1616945-7
K400A4C1		Economized with Suppression	2	6-1616965-1
K400B1F	Bus Bar Mount	Continuous	1	2-1616921-3
K400B3C05		Economized with Suppression	6	7-1616941-3
K4001B7C			5	4-1616959-8
K4001A7C	Chassis Mount		5	6-1616970-7
K4001B2C	Bus Bar Mount		3	6-1616970-8
K4001A2C	Chassis Mount	Economized with Suppression	3	6-1616970-6
K4001A1C1			7	6-1616998-5
K4001B1C1			7	6-1616998-6
K4001B8C2	Bus Bar Mount		8	5-1616986-8
K4001B8C3			8	5-1616986-9
K4001B8C4			8	9-1616986-6
K4001B5C2			9	8-1616982-7

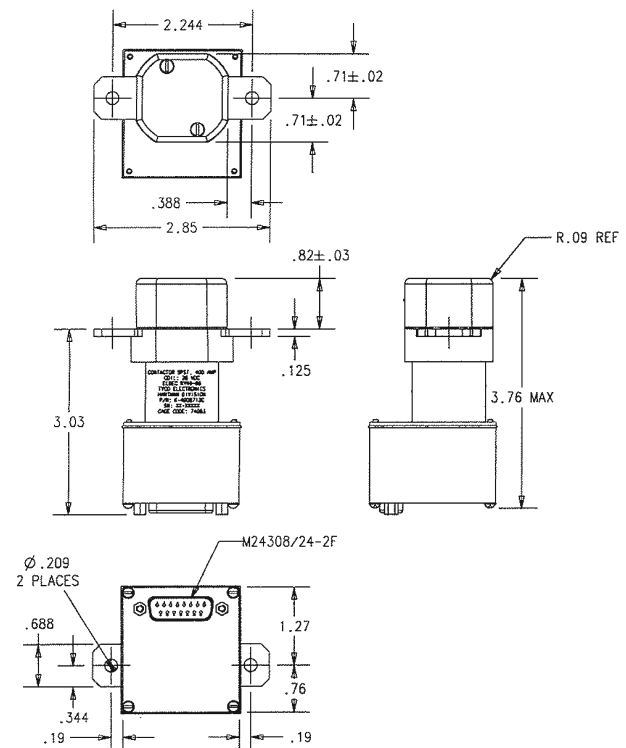
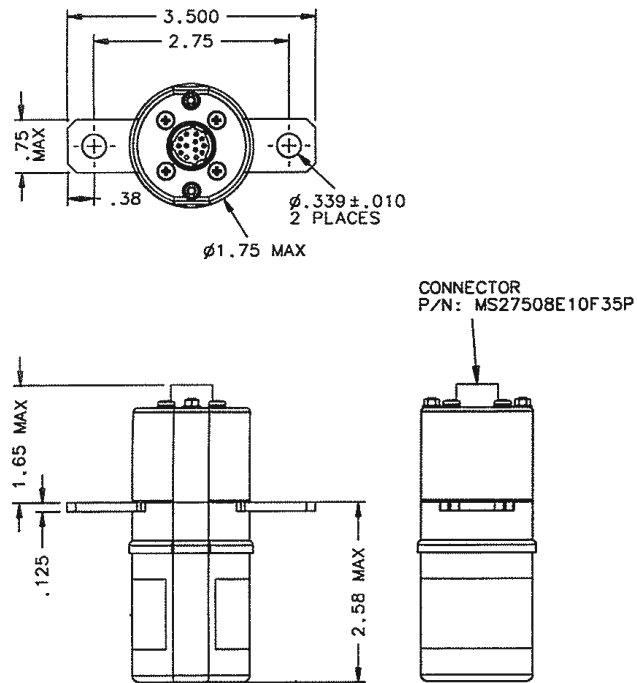
For factory-direct application assistance, phone 419-521-9500 or fax 419-526-2749.

**K400 Series, Rated up to 400 Amps, 28 Vdc** (Continued)



Mounting Style A

Mounting Style B



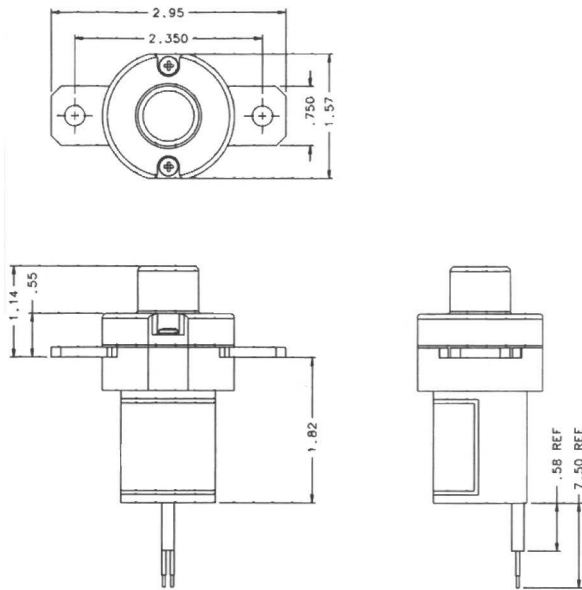
Mounting Style C

Mounting Style D

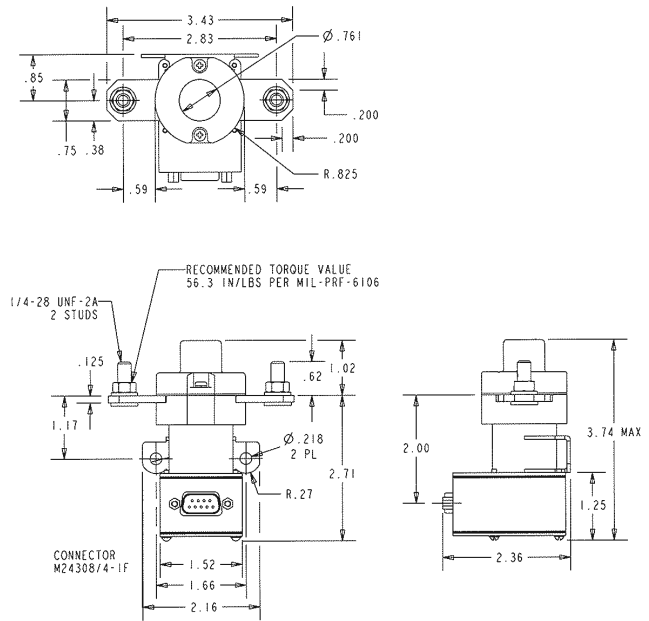
For factory-direct application assistance, phone 419-521-9500 or fax 419-526-2749.

**6** HARTMAN Power Switching DC Contactors

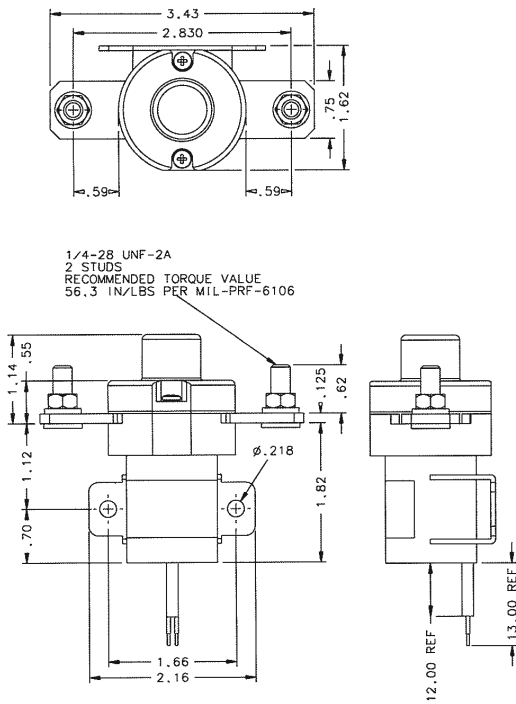
**K400 Series, Rated up to 400 Amps, 28 Vdc** (Continued)



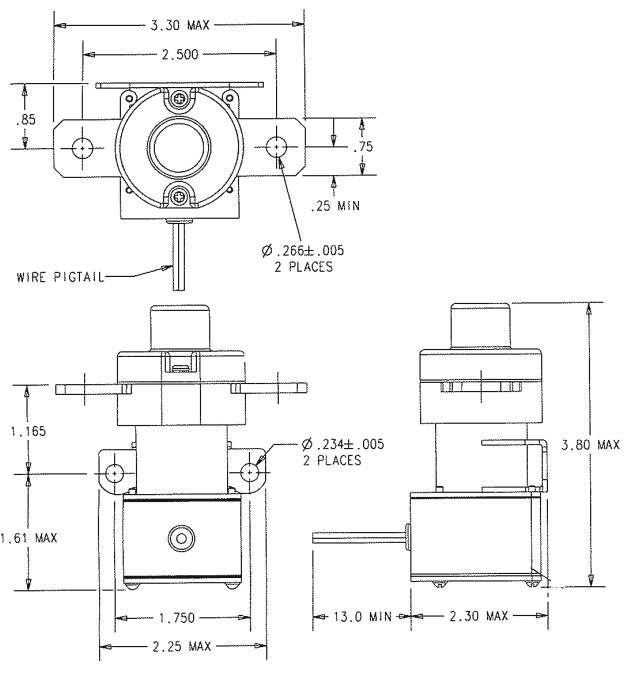
**Mounting Style E**



**Mounting Style F**



**Mounting Style G**

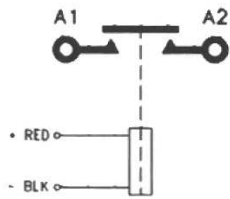


**Mounting Style K**

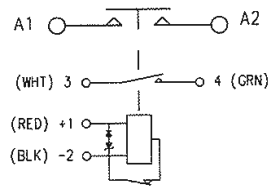
For factory-direct application assistance, phone 419-521-9500 or fax 419-526-2749.

**K400 Series, Rated up to 400 Amps, 28 Vdc** (Continued)

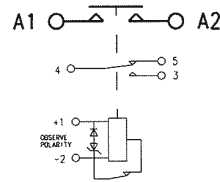
**Circuit Configurations** (Consult factory for other available circuit configurations)



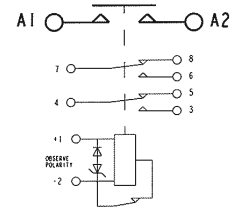
Circuit Configuration 1



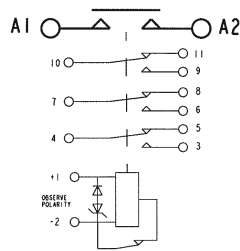
Circuit Configuration 2



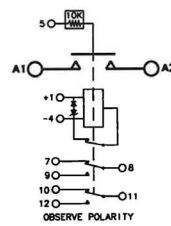
Circuit Configuration 3



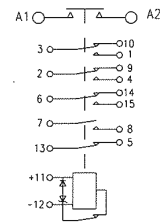
Circuit Configuration 4



Circuit Configuration 5



Circuit Configuration 6



Circuit Configuration 7

For factory-direct application assistance, phone 419-521-9500 or fax 419-526-2749.

**Cross Reference**

Main Current Rating	AC/DC	Rating	Main Contact Config.	Operating Mode	Aux. Contact Config.	Coil Voltage	Seal Type	Duty Cycle	Coil Trans. Voltage (VDC)	HARTMAN Part No.	TE Part No.
200	DC	28	SPST NO	Side Stable		28	Gasket	Cont. Econ.	42	K200A1C	5-1616970-9
		28	SPST NO	Side Stable	2PDT	28	Gasket	Cont. Econ.	42	K200B3C02	4-1616968-7
		28	SPST NO	Side Stable	2PDT	28	Gasket	Cont. Econ.	42	K200B1C	6-1616970-0
		28	SPST NO	Side Stable	2PDT	28	Gasket	Cont. Econ.	42	K200A3C	8-1616977-1
400	DC	28	SPST NO	Side Stable	2PDT	28	Gasket	Cont. Econ.	42	K4001A3C	6-1616968-5
		28	SPST NO	Side Stable	2PDT	28	Gasket	Cont. Econ.	42	K4001B3C	4-1616959-0
		28	SPST NO	Side Stable	1PST NO	28	Gasket	Cont. Econ.	42	K400A4C1	6-1616965-1
		28	SPST NO	Side Stable	None	28	Gasket	Intermittent	-	K400B1D	8-1616968-4
		28	SPST NO	Side Stable	None	28	Gasket	Continuous	-	K400B1F	2-1616921-3
		28	SPST NO	Side Stable	2PDT	28	Gasket	Cont. Econ.	42	K400B3C05	7-1616941-3
		28	SPST	Side Stable	3PDT	28	Gasket	Cont. Econ.	42	K4001B7C	4-1616959-8
		28	SPST	Side Stable	3PDT	28	Gasket	Cont. Econ.	42	K4001A7C	6-1616970-7
		28	SPST	Side Stable	1PDT	28	Gasket	Cont. Econ.	42	K4001B2C	6-1616970-8
		28	SPST	Side Stable	1PDT	28	Gasket	Cont. Econ.	42	K4001A2C	6-1616970-6
		28	SPST	Side Stable	None	28	Gasket	Continuous	-	K400A1F1	4-1616964-5
		28	SPST NO	Side Stable	3PDT, 1PST NO, 1PST NC	28	Gasket	Cont. Econ.	42	K400B712C	5-1616946-6
500	DC	28	SPST NO	Side Stable	-	28	Gasket	Cont. Econ.	42	K4001A1C1	6-1616988-2
		28	SPST NO	Side Stable	1PDT	28	Gasket	Cont. Econ.	42	K500B2C	7-1616927-0
		28	SPST NO	Side Stable	2PDT	28	Gasket	Cont. Econ.	42	K500B3C	7-1616970-0
		28	SPST NO	Side Stable	2PDT	28	Gasket	Cont. Econ.	42	K500A3C	6-1616970-9
		28	SPST NO	Side Stable	1PDT	28	Gasket	Cont. Econ.	42	K500A2C	4-1616951-4
		28	SPST NO	Side Stable	3PDT	28	Gasket	Cont. Econ.	42	K500A7C01	2-1616970-8
		28	SPST NO	Side Stable	3PDT	28	Gasket	Cont. Econ.	42	K500B7C01	9-1616965-0
		28	SPST NO	Side Stable	-	28	Gasket	Cont. Econ.	42	K500A1C	1-1616992-7
1000	DC	28	SPST NO	Side Stable	-	28	Gasket	Continuous	-	K1000A1F03	4-1616966-1