

DH-14 and DH-21 Series, Rated up to 25 Amps, 28 Vdc

Product Facts

- SPDT, 1 NO, 1 NC, Double Break
- Hermetically Sealed
- DH21 Series has magnetically latched contacts
- Meets many requirements of MIL-PRF-6106



Performance Data

Electrical Characteristics

- Contact Arrangement** — SPDT, 1 NO, 1 NC, Double Break
- Rated Operating Voltage** — 28 Vdc
- Resistive Rating** — 25 Amps
- Inductive Rating** — 25 Amps
- Motor Rating** — 15 Amps

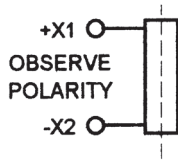
General Characteristics

- Temperature Range** — -55°C to +71°C
- Operating Cycles (Life) at Rated Resistive Load, Min.** — 50,000 cycles
- Operating Cycles (Life) Mechanical, Min.** — 100,000 cycles
- Dielectric Strength** — All Circuits to Ground — 1,250 Vrms
Circuit to Circuit — 1,250 Vrms
Coil to Ground and Aux. Contacts — 1,000 Vrms
- Altitude Max.** — 80,000 ft.
- Weight** — .39 lbs

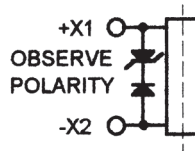
Coil Characteristics

- Duty Cycle** — Continuous (Type A, See diagram below), Continuous with suppression (Type B, See diagram below) or Intermittent (Type C)
- Operating Voltage, Nom.** — 28 Vdc
- Pickup Voltage @ 25°C, Max.** — 18 Vdc
- Dropout Voltage @ 25°C, Max.** — 1.0 to 7 Vdc

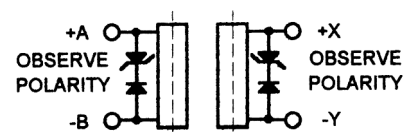
Coil Type



A — Continuous



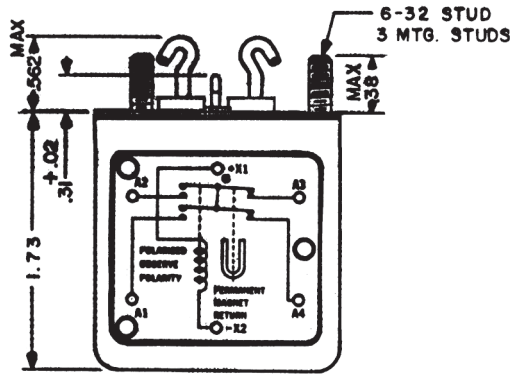
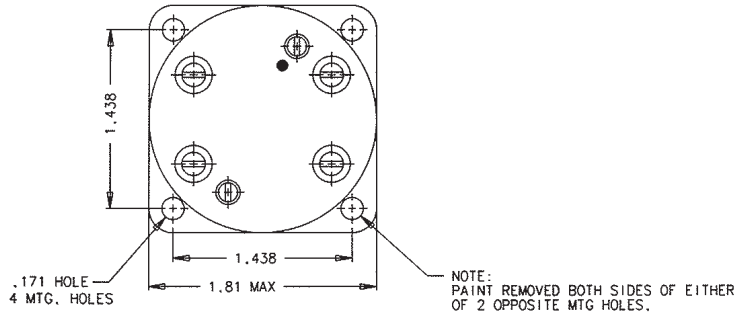
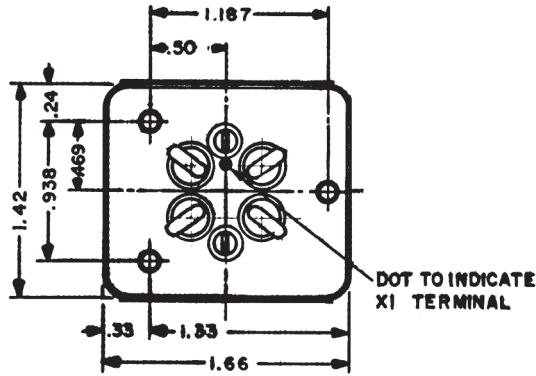
B — Continuous with Suppression



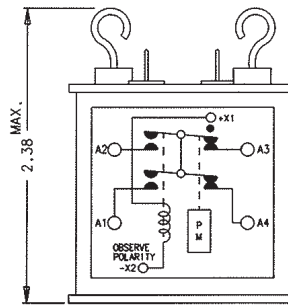
C — Intermittent

For factory-direct application assistance, phone 419-521-9500 or fax 419-526-2749.

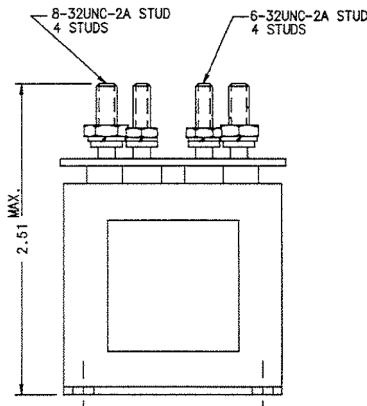
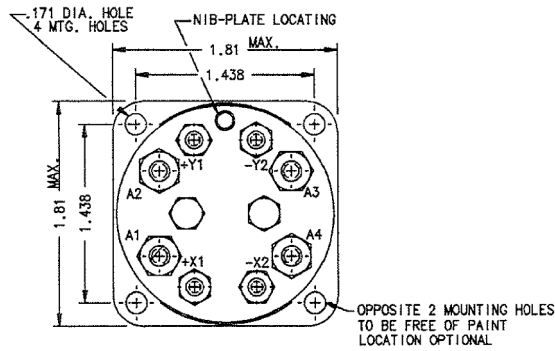
DH-14 and DH-21 Series, Rated up to 25 Amps, 28 Vdc (Continued)



Mounting Style A



Mounting Style B

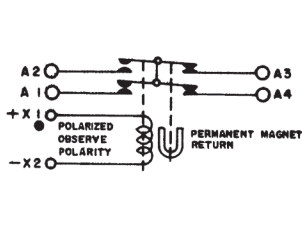


Mounting Style C

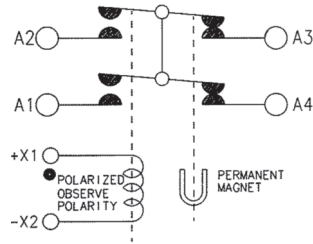
For factory-direct application assistance, phone 419-521-9500 or fax 419-526-2749.

DH-14 and DH-21 Series, Rated up to 25 Amps, 28 Vdc (Continued)

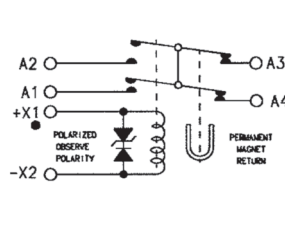
Circuit Configurations (Consult factory for other available circuit configurations)



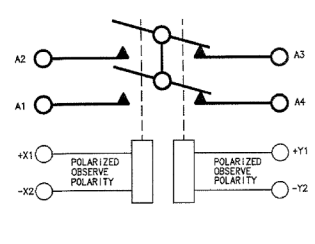
Circuit Configuration 1



Circuit Configuration 2



Circuit Configuration 3



Circuit Configuration 4

| HARTMAN Part Number | Construction Type | Mounting Style | Coil Type | Circuit Config. | TE Part Number |
|---------------------|---------------------|----------------|-----------|-----------------|----------------|
| DH-14A | Hermetically Sealed | A | A | 1 | 1616089-1 |
| DH-14AL | Hermetically Sealed | B | A | 2 | 1616089-2 |
| DH-14AT | Hermetically Sealed | A | B | 3 | 1616089-3 |
| DH-21N* | Hermetically Sealed | C | C | 4 | 1616026-2 |

*DH21N is a magnetically latched unit. Contacts will remain in position until the opposing coil is pulsed.

For factory-direct application assistance, phone 419-521-9500 or fax 419-526-2749.