

## Size 8 Contacts

### Performance Characteristics

**Frequency Range** — 0 to 500 MHz

**Operating Voltage, Max.** —  
275 vac rms @ sea level

**Termination Resistance, Max.** —  
Center Contact — 6.0 milliohms  
Outer Contact — 3.0 milliohms

**Insulation Resistance, Min.** —  
5,000 megohms @ 500 vdc

**Dielectric Withstanding Voltage** —  
Sea Level — 800 Volts rms  
30,000 ft [9,144 m] — 525 volts rms  
70,000 ft [21,336m] — 275 volts rms

**VSWR to 500MHz, Max.**

Pin/Socket	VSWR
Straight/Straight	1.30
Right-Angle/Straight	1.35
Right-Angle/Right-Angle	1.40

**RF Crosstalk** — 90dB @ 5-500 MHz

**Mating Force, Max.** — 4.0 lb  
[17.8 N]

**Unmating Force, Min.** — 2.0 oz  
[0.556 N]

**Contact Retention** — 20 lb [89 N]

**Contact Durability** — 500 cycles

Cable RG/U	Force	
	lb	[N]
316, 188, 174, 179, 179A, 179B	20	89
188-type Double-Braid	35	155.8
142, 142A, 142B	50	222.5

**Operating Temperature** —  
55°C to +125°C

**Thermal Shock** — 55°C to +125°C per  
MIL-STD-1344, Method 1003, Cond. A

**Physical Shock** — 50 G's per MIL-  
STD-1344, Method 2004, Cond. A

**Vibration** — MIL-STD-1344, Method  
2005, Cond. II

**Moisture Resistance** — 240 hours  
per MIL-STD-1344, Method 1002,  
Cond. II

**Salt Fog** — 48 hours per MIL-STD-  
1344, Method 1001, Cond. B

### Extraction Tool Numbers

**Subminiature D Housings** —  
58095-1 (AMPLIMITE)

**AMP-HDI Housings** — 58095-2

### Material

**Brass** — per QQ-B-626 and MIL-C-50

**Phosphor Bronze** — per QQ-B-750

**Beryllium Copper** — per QQ-C-530

**PTFE** — per MIL-P-19468

**Nylon** — per MIL-M-20693

### Finish

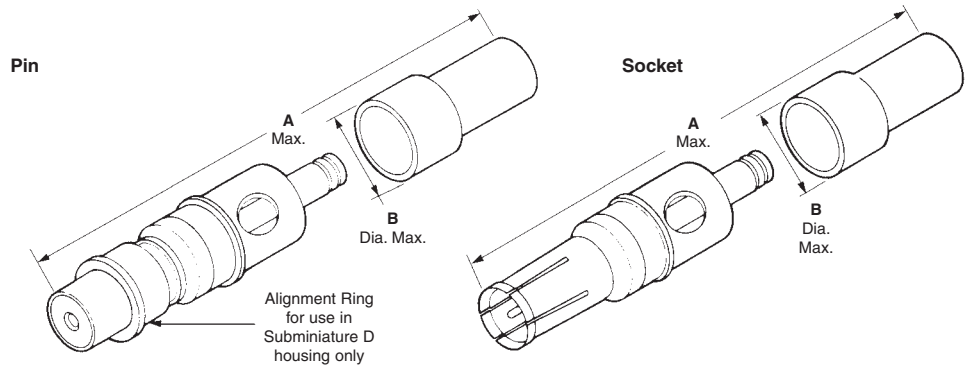
**Bright Tin Plating** — per ASTM-B-571

**Copper Plating** — per MIL-C-14550

**Gold Plating** — per MIL-G-45204

**Nickel Plating** — per QQ-N-290

## Straight Contacts



RG/Cable	Shell Type	Dimensions		Die Insert*	50 Ohm		Non-Impedance Matched	
		A	B		Pin	Socket	Pin	Socket
178, 178A 178B, 196, 196A	Brass	24.13 .950	5.94 .234	59993-1	—	—	5228618-5	5228596-5
174, 316, 188, 188A	Brass	24.28 .956	5.94 .234	59993-1	5221980-1	—	5228618-1	5228596-1
179, 179A, 179B, 187, 187A, 161, BELDEN 9221	Brass	24.28 .956	5.94 .234	59993-1	—	—	5228618-2	5228596-2
174, 316, 188, Double Braid	Brass	24.28 .956	5.94 .234	59993-1	—	—	5228618-3	5228596-3
142, 142A, 142B, 400, BELDEN 9246	Brass	27.43 1.08	6.48 .255	58212-1	—	5221981-2	5228618-4	5228596-4

\*For hand tool 69710-1 or pneumatic tool 69365-8.

**Note:** Non-Impedance Matched and 50 Ohm are not intermateable.

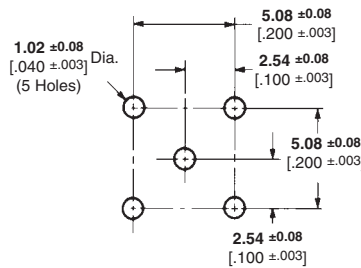
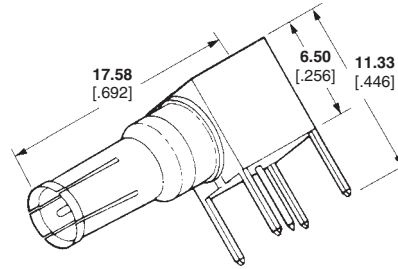
BELDEN is a trademark of Belden Wire  
and Cable Company.

**Note:** Part Numbers are RoHS compliant except: ♦ Indicates non-RoHS compliant.

**Size 8 Contacts** (Continued)

**PC Board Mount Contacts**

**Right-Angle Socket Contact**



**Recommended PC Board Layout**

Type	Contact Part No. Non-Impedance Matched
Right-Angle Socket Contact	5221162-1

**Note:** Part Numbers are RoHS compliant except: ♦ Indicates non-RoHS compliant.