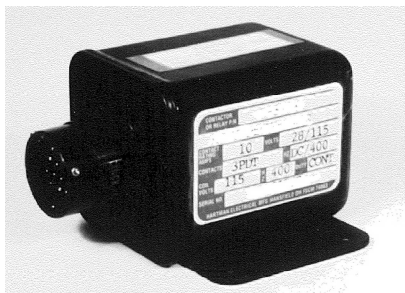


### E-311PB Series Relay, Undervoltage with Time Delay

**Product Facts**

- 2PDT
- Solder sealed, hermetically sealed
- Meets many requirements of MIL-PRF-6106



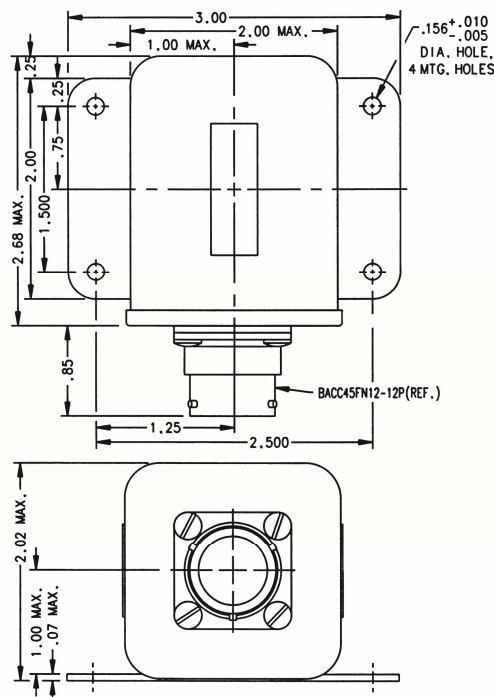
**Performance Data**

**Electrical Characteristics**

- Main Contacts** —
- Contact Arrangement** — 2PDT
- Operating Voltage, Nom.** — 28 Vdc
- Resistive Rating** — 10 Amps
- Inductive Rating** — 6 Amps
- Motor Rating** — 3 Amps
- Lamp Rating** — 1 Amps
- Pickup Time, Max.** — 125 msec
- Contact Bounce, Max.** — 3 msec
- Operating Voltage, Max.** — 36 Vdc
- Operating Voltage, Nom.** — 28 Vdc
- Pickup Voltage** —  $24.5 \pm 0.5$  Vdc
- Dropout Voltage** —  $21.5 \pm 0.5$  Vdc
- Dropout Time Delay** — 200-400 milliseconds when the relay is in the energized position and the voltage drops below  $21.5 \pm 0.5$  Vdc and above 15 Vdc. The relay will remain energized for 200 to 400 milliseconds before de-energizing when the voltage drops below 15 Vdc. Time delay is 30 Ms max.
- Operating Current, Max.**
- @ 25°C** — 150 milliamp

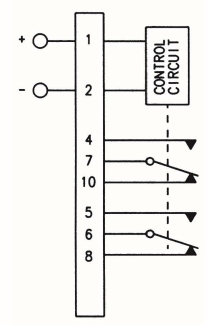
**General Characteristics**

- Ambient Temperature Range** — -55°C to +85°C
- Operating Cycles (Life) at Rated Resistive Load, Min.** — 100,000 cycles
- Dielectric Withstanding Voltage** — 1,000 Vrms, 60 Hz, 1 mil/Amp max. leakage
- Insulation Resistance @ 500 Vdc** — 100 megohm min.
- Altitude** — 80,000 ft
- Weight, Max.** — .25 lbs
- Sinusoidal Vibration** — .060 DA @ 5 to 80 Hz  
20 G <sup>TM</sup> 80 to 2000 Hz
- Shock for 11 msec, 1/2 Sine, 3 Axes** — 30 G



Mounting Style A

**Circuit Configurations** (Consult factory for other available circuit configurations)



For factory-direct application assistance, phone 419-521-9500 or fax 419-526-2749.

HARTMAN Part Number	Construction Type	Mounting Style	Duty Cycle	Circuit Config.	TE Part Number
E-311PB	Hermetically Sealed	A	Continuous	1	1-1616126-1

