

APPLICATION TOOLING

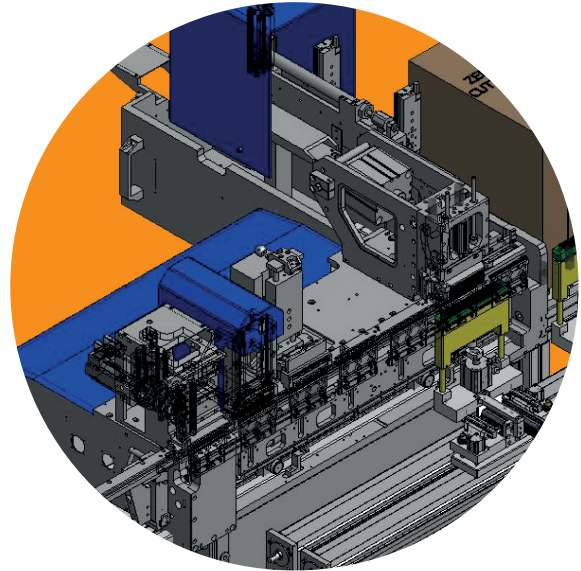
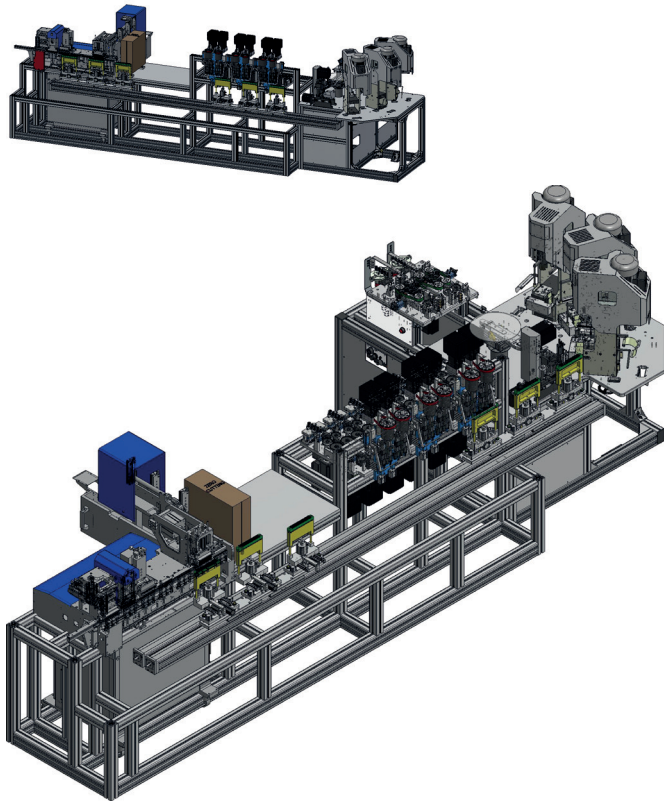
FOR RAST PRODUCTS

IN THE HOUSEHOLD APPLIANCE INDUSTRY

APPLICATION TOOLING

FOR RAST PRODUCTS

The IDC crimp module for RAST products is a high performance, fully-automatic machine to manufacture wire harnesses using IDC/IDC or crimp IDC/Crimp technology.



CUSTOMER BENEFITS

- Common base for interchangeable workstations
- Flexible mass termination machine for all possible wire harness configurations
- Premium quality machine in its class in terms of capacity and flexibility

Features

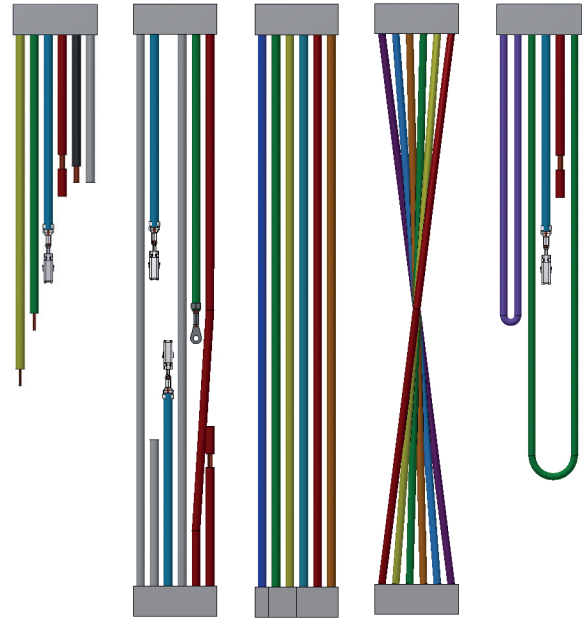
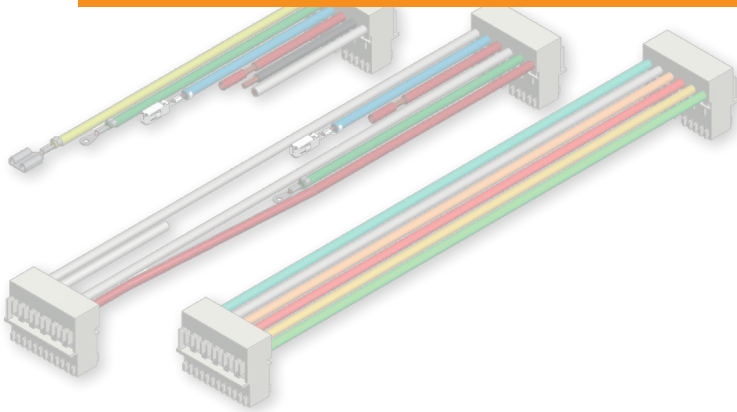
- Modular designed fully-automatic machine for wire harnesses production with RAST 2.5 or RAST 5 and crimp connectors especially used with household appliances and automotive industry
- Ultimate flexibility for chaotic wire harnesses with crossovers, bridges and double wire terminations
- Minimal set-up and changeover times
- Very good overall cost-performance ratio
- Designed for small quantity batch sizes with high product mix
- Interchangeable product specific workstations for RAST 2.5 and RAST 5 connectors
- High production reliability assured via diverse testing procedures
- Easy operating interface for intuitive controlling via touch screen
- Fully-automatic adjustment of all wire feeding parameters
- The PC control allows for harness programming, configuration, and machine optimization

APPLICATION TOOLING

FOR RAST PRODUCTS

The IDC crimp module for RAST products is a high performance, fully-automatic machine to manufacture wire harnesses using IDC/IDC or crimp IDC/Crimp technology.

Equipped with interchangeable workstations the harness maker machine can process wire harnesses with different types of wires with RAST 5 and RAST 2.5 connectors.



Compatible TE IDC Connectors

- AMP DUOPLUG 2.5
- AMP DUOPLUG 2.5 Mark II
- AMP DUOPLUG Power
- AMP MONO-SHAPE
- AMP multifitting Mark II

IDC Module for RAST Products Consisting of

- A base machine with operating interface via touch screen
- Servo controlled transport gripper system
- Possibility to run with one IHM modular IDC workstation and crimp (optionally)

Test Options

- Electrical continuity test
- Wire insertion length check
- Coding ribs check
- High voltage test

Technical Data

- Electric power supply: 3 x 400 V AC, 20 A
- Compressed air supply: 600 kPa
- Cycle time for jumper: Approx. 0.6 s per wire, depending on wire harness design (with IDC IHM specific workstation)
- Cycle time for crimps: Approx. 1.6 s per wire, depending on wire harness design (with IDC IHM specific workstation and crimp unit)
- Weight base machine: 1.500 kg
- Weight IDC workstation: Approx. 250 kg each
- Noise pressure level: < 80 dB(A)
- Dimensions approx.: W x H x D (mm)
1.800 x 1.950 x 5.000 with 1 workstation without cable storage
- Required space: Min. 9 m² without barrels
- Wire length: 180 to 3.000 mm IDC/IDC
80 mm min., one wire end terminated IDC/Crimp
- Wire size range: 0.22 - 1.5 mm

**Tyco Electronics AMP GmbH,
a TE Connectivity Ltd. company**

AMPèrestrasse 12-14

D-64625 Bensheim

Germany

Phone: +49 (0)6251 133-0

Fax: +49 (0)6251 133-1600



www.te.com

www.tooling.te.com

Tyco Electronics AMP GmbH certified
acc. ISO 14001 and ISO/TS 16949:2002

© 2014 TE Connectivity family of companies. All rights reserved.

AMP, AMP DUOPLUG, AMP MONO-SHAPE, TE, TE Connectivity and TE connectivity (logo)
are trademarks.

Other products, logos and company names mentioned herein may be trademarks of their
respective owners.

TE's only obligations are those stated in TE's General Terms and Conditions of Business
(<http://www.te.com/aboutus/tandc.asp>). TE expressly disclaims any implied warranty
regarding the information contained herein, including, but not limited to, the implied
warranties of merchantability or fitness for a particular purpose.

Images restricted for this document only.

1-1654337-3 | Issued 12-2014