



DEUTSCH D3 SERIES PCB CONTACTS FOR 38999 SERIES III-STYLE CONNECTORS

QUICK REFERENCE GUIDE

Wide Range

- Mil spec, commercial, and composite shells
- Variety of standard and custom tail lengths available
- Choice of platings

Part Numbering System

D3 J F A35 P N 1 B W G

BASIC IDENTIFIER
D3 Extended Pin 38999-Style Receptacle Connector

MOUNTING STYLE
B Box Mount
C Square Flange with Clinch Nuts
D Double Flange
H Square Flange with Helicoils
J Jam Nut
S Square Flange (Standard)

CLASS
F Aluminum, Nickel Plated
G Aluminum, Nickel Plated, Space Grade
J Composite, Olive Drab Cadmium Plated
M Composite, Nickel Plated
T Aluminum, PTFE Nickel Plated
W Aluminum, Olive Drab Cadmium Plated
Z Aluminum, Black Zinc Nickel Plated

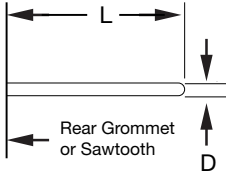
SHELL SIZE
A (9), B (11), C (13), D (15), E (17), F (19), G (21), H (23), J (25)

INSERT ARRANGEMENT
 See Insert Arrangement Table

CONTACT STYLE
P Pin
S Socket

KEYING
N Normal
A, B, C, D, E

EXTENDED TAIL FINISH
G Gold
T Tin/Solder Dip



SOLDER LEG DIAMETER (D ±0.001): NO STANDOFFS

	Contact Size			
	Size 22	Size 20	Size 16	Size 12
N	0.635 (0.025)	1.02 (0.040)	2.03 (0.080)	2.39 (0.094)
W	0.48 (0.019)	0.48 (0.019)	1.02 (0.044)	1.57 (0.062)
T	0.48 (0.019)	0.48 (0.019)	1.57 (0.062)	1.57 (0.062)
U	0.71 (0.028)	0.71 (0.028)	1.57 (0.062)	1.57 (0.062)

CONTACT EXTENSION LENGTH (L)
 See Tables

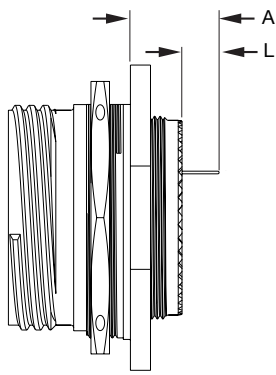
REAR CONFIGURATION
1 Epoxy Seal
2 Grommet Seal

Consult TE for more pc tail diameter and stick out length options

TE Components . . . TE Technology . . . TE Know-how . . .
 AMP | Agastat | CII | Hartman | Kilovac | Microdot | Nanonics | Polamco | Raychem | Rochester | DEUTSCH
 SEACON Phoenix | L.L. Rowe | Phoenix Optix | AFP | SEACON

Get your product to market faster with a smarter, better solution.

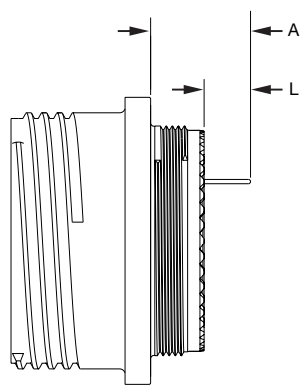
Jam Nut Receptacles



Code	Dim L			Dim A	
	From Grommet	From Sawtooth		From Front of Jam Nut Flange	
	All	Aluminum	Composite	Aluminum	Composite
A	4.14 0.163	4.14 0.163	2.92 0.115	13.54 0.533	13.74 0.541
B	5.33 0.210	5.33 0.210	4.11 0.162	14.73 0.580	14.94 0.588
C	5.84 0.230	5.84 0.230	4.62 0.182	15.24 0.600	15.44 0.608
D	6.76 0.266	6.76 0.266	5.54 0.218	16.05 0.632	16.36 0.644
E	7.98 0.314	7.98 0.314	6.50 0.256	17.37 0.684	17.32 0.682

Dimensions: **Millimeters** Inches

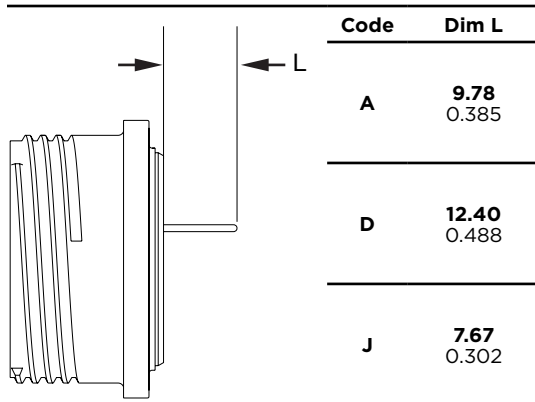
Square Flange Receptacles



Code	Dim L			Dim A			
	From Grommet	From Sawtooth		Distance from Square Flange			
	All	Aluminum	Composite	Shell Sizes 9-19		Shell Sizes 21 - 25	
				Aluminum	Composite	Aluminum	Composite
A	4.14 0.163	4.42 0.174	3.94 0.155	13.97 0.550	13.11 0.516	13.39 0.527	13.11 0.516
B	5.33 0.210	5.61 0.221	5.13 0.202	15.16 0.597	14.30 0.563	14.58 0.574	14.30 0.563
C	5.84 0.230	6.12 0.241	5.64 0.222	15.67 0.617	14.81 0.583	15.09 0.594	14.81 0.583
D	6.76 0.266	7.04 0.277	6.55 0.258	16.59 0.653	15.72 0.619	16.00 0.630	15.72 0.619
E	7.98 0.314	8.26 0.325	7.77 0.306	17.81 0.701	16.94 0.667	17.22 0.678	16.94 0.667

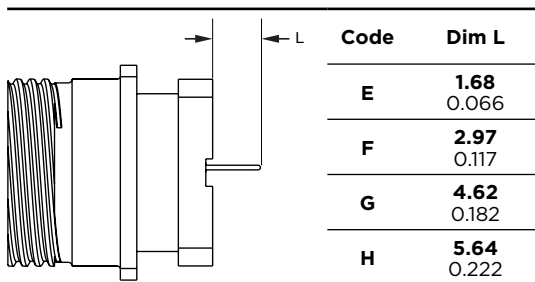
Dimensions: **Millimeters** Inches

Box Mount Receptacles

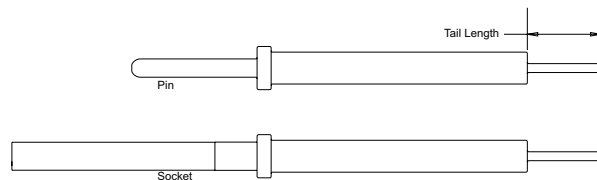


Dimensions: **Millimeters** Inches
Only epoxy seal (1) available for Box Mount Receptacles

Double Flange Receptacles



Dimensions: **Millimeters** Inches



Jam Nut Receptacle

Contact Size	Last 4 Digits of Connector Part No.	Pin Part No.	Socket Part No.
22	2CWG	PCB31CNA-22233	PCB33CNA-22233
20	2CWG	PCB31CNA-20233	PCB33CNA-20233
16	2CWG	PCB31CNA-16233	PCB33CNA-16233

Square Flange Receptacle

Contact Size	Last 4 Digits of Connector Part No.	Pin Part No.	Socket Part No.
22	2BWG	PCB31BNA-22233	PCB33BNA-22233
20	2BWG	PCB31BNA-20233	PCB33BNA-20233
16	2BWG	PCB31BNA-16233	PCB33BNA-16233

Insert Arrangements



Insert				
DTS Commercial	Military and Commercial ACT	16	20	22D
09-07	A7 (A07)			7
09-35	A35			6
09-98	A98		3	
11-02	B2 (B02)	2		
11-04	B4 (B04)		4	
11-05	B5 (B05)		5	
11-35	B35			13
11-98	B98		6	
11-99	B99		7	
13-04	C4 (C04)	4		
13-08	C8 (C08)		8	
13-35	C35			22
13-98	C98		10	
15-05	D5 (D05)	5		
15-15	D15	1	14	
15-18	D18		18	
15-19	D19		19	
15-35	D35			37
15-97	D97	4	8	
17-08	E8 (E08)	8		
17-26	E26		26	
17-35	E35			55
17-99	E99	2	21	
19-11	F11	11		
19-28	F28	2	26	
19-32	F32		32	
19-35	F35			66
21-16	G16	16		
21-35	G35			79
21-39	G39	2	37	
21-41	G41		41	
23-21	H21	21		
23-35	H35			100
23-53	H53		53	
23-55	H55		55	
25-04	J4 (J04)	8	48	
25-29	J29	29		
25-35	J35			128
25-37	J37	37		
25-43	J43	20	23	
25-61	J61		61	

LET'S CONNECT

We make it easy to connect with our experts and are ready to provide all the support you need. Just call your local support number or visit www.te.com/industrial to chat with a Product Information Specialist.

Technical Support

te.com/support-center

North America	+1 800 522 6752	Asia Pacific	+86 400 820 6015
North America (Toll)	+1 717 986 7777	Japan	044 844 8180
EMEA/South Africa	+800 0440 5100	Australia	+61 2 9554 2695
EMEA (Toll)	+31 73 624 6999	New Zealand	+64 (0) 9 634 4580
India (Toll-Free)	+800 440 5100		

te.com/38999

DEUTSCH, TE, TE Connectivity and the TE connectivity (logo) are trademarks of the TE Connectivity Ltd. family of companies. Other products, logos, and company names mentioned herein may be trademarks of their respective owners.

While TE Connectivity (TE) has made every reasonable effort to ensure the accuracy of the information herein, nothing herein constitutes any guarantee that such information is error-free, or any other representation, warranty or guarantee that the information is accurate, correct, reliable or current. The TE entity issuing this publication reserves the right to make any adjustments to the information contained herein at any time without notice. All implied warranties regarding the information contained herein, including, but not limited to, any implied warranties of merchantability or fitness for a particular purpose are expressly disclaimed. The dimensions herein are for reference purposes only and are subject to change without notice. Specifications are subject to change without notice.

Consult TE for the latest dimensions and design specifications.

© 2016 TE Connectivity Ltd. family of companies All Rights Reserved.

1-1773889-7 09/16 Original