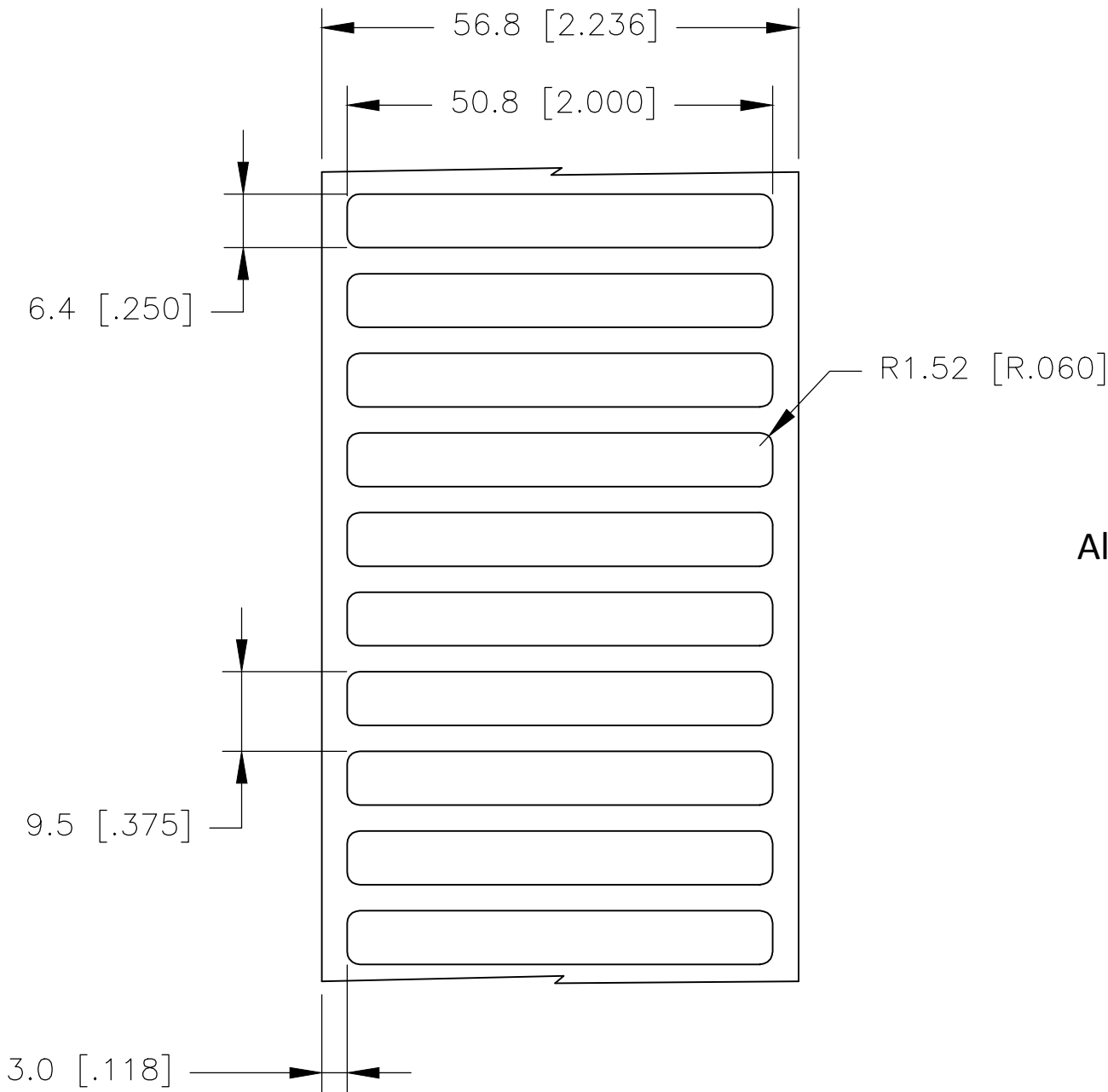
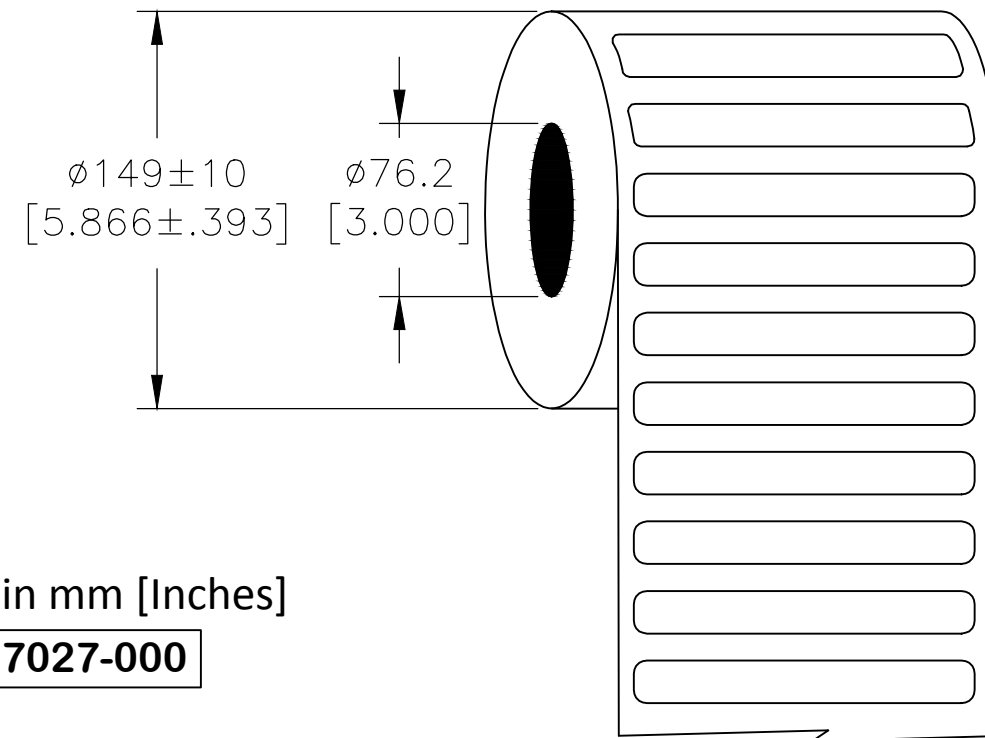


P	LTR	DESCRIPTION	DATE	DWN	APVD
	B	ECR-20-003872	24FEB2020	GK	MN

### LABEL AND LINER DESIGN



### PRESENTATION



All dimensions in mm [Inches]

**TE PN: A67027-000**

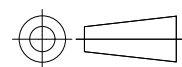
**OUTSIDE WOUND  
LABEL ACROSS: 1  
PER ROLL QTY: 10000**

MATERIAL	WHITE POLYESTER
ADHESIVE TYPE	PERMANENT
LINER	GLASSINE PAPER

TOLERANCES mm [INCH]	
LABEL HEIGHT:	±0.3 [.012]
LABEL WIDTH:	±0.3 [.012]
WEB WIDTH:	±0.8 [.031]
VERTICAL REPEAT:	±0.8 [.031]*
HORIZONTAL REPEAT:	±0.8 [.031]*
PRINT POSITIONING:	±0.8 [.031]*
LEFT MARGIN:	±0.4 [.016]
QUANTITY:	-0 % +2 %
*NON ACCUMULATING	

THIS DRAWING IS A CONTROLLED DOCUMENT.

DIMENSIONS:  
mm [INCHES]



TOLERANCES UNLESS OTHERWISE SPECIFIED:

0 PLC	± -
1 PLC	± -
2 PLC	± -
3 PLC	± -
4 PLC	± -
ANGLES	± -
FINISH	-

MATERIAL  
SEE TABLE

DWN	07FEB2006
GOPALAKRISHNA HV	
CHK	07FEB2006
K. MUNZ	
APVD	07FEB2006
K. MUNZ	
PRODUCT SPEC	TTDS-073
APPLICATION SPEC	-
WEIGHT	0.029g

TE Connectivity		NAME		RESTRICTED TO
		WP - WHITE POLYESTER LABELS		
SIZE	CAGE CODE	DRAWING NO	-	
A3	C2290	G-WP-508064-10-9	-	
CUSTOMER DRAWING		SCALE	SHEET	REV
		NTS	1 OF 1	B