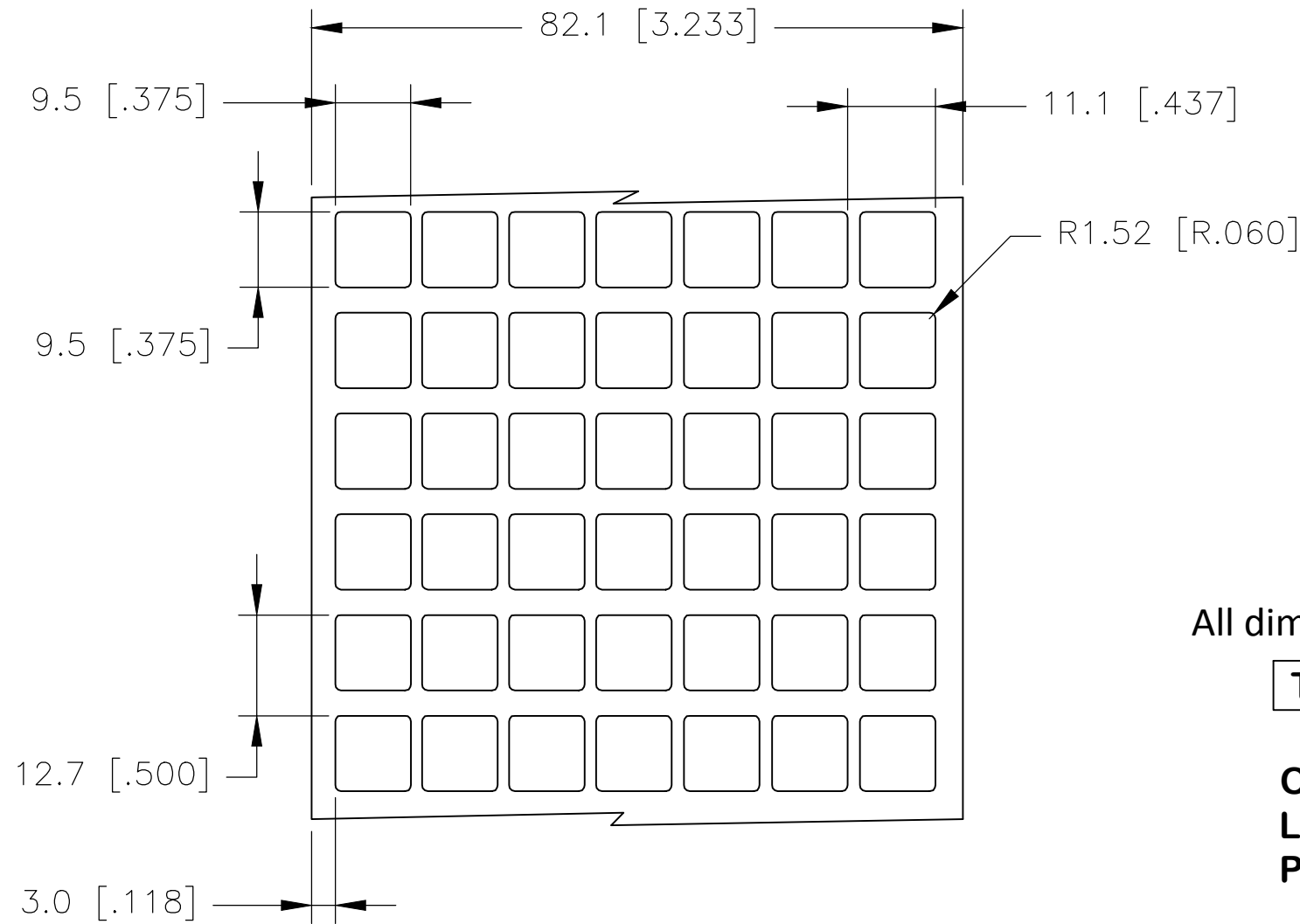
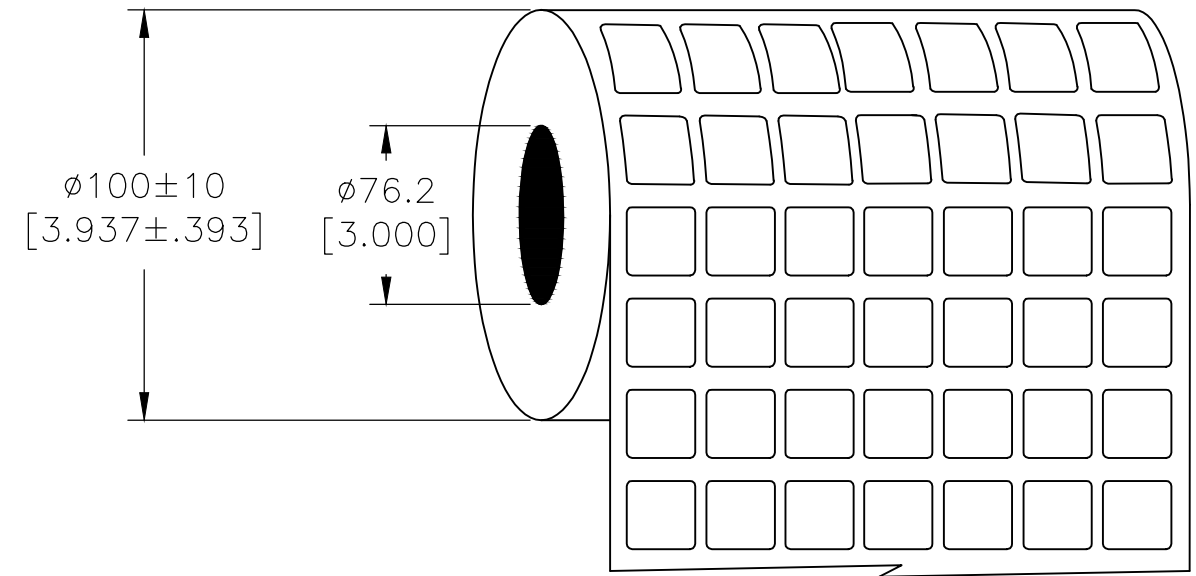


P	LTR	DESCRIPTION	DATE	DWN	APVD
	B	ECR-20-003872	13MAR2020	GK	MN

LABEL AND LINER DESIGN



PRESENTATION



All dimensions in mm [Inches]

TE PN: E07470-000

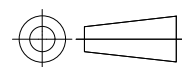
**OUTSIDE WOUND
LABEL ACROSS: 7
PER ROLL QTY: 10000**

MATERIAL	WHITE POLYESTER
ADHESIVE TYPE	PERMANENT
LINER	GLASSINE PAPER

TOLERANCES mm [INCH]	
LABEL HEIGHT:	±0.3 [.012]
LABEL WIDTH:	±0.3 [.012]
WEB WIDTH:	±0.8 [.031]
VERTICAL REPEAT:	±0.8 [.031]*
HORIZONTAL REPEAT:	±0.8 [.031]*
PRINT POSITIONING:	±0.8 [.031]*
LEFT MARGIN:	±0.4 [.016]
QUANTITY:	-0 % +2 %
*NON ACCUMULATING	

THIS DRAWING IS A CONTROLLED DOCUMENT.

DIMENSIONS:
mm [INCHES]



TOLERANCES UNLESS OTHERWISE SPECIFIED:

0 PLC	± -
1 PLC	± -
2 PLC	± -
3 PLC	± -
4 PLC	± -
ANGLES	± -
FINISH	-

MATERIAL
SEE TABLE

DWN	17JAN2006
GOPALAKRISHNA HV	
CHK	17JAN2006
K. MUNZ	
APVD	17JAN2006
K. MUNZ	
PRODUCT SPEC	
TTDS-073	
APPLICATION SPEC	
-	
WEIGHT	0.008g
CUSTOMER DRAWING	

TE Connectivity		NAME		WP - WHITE POLYESTER LABELS	
		-		-	
SIZE	CAGE CODE	DRAWING NO	RESTRICTED TO		
A3	C2290	C-WP-095095-10-9	-		
SCALE		SHEET	REV		
NTS		1 OF 1	B		