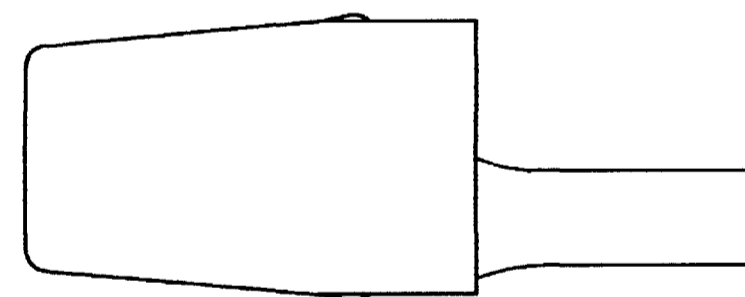
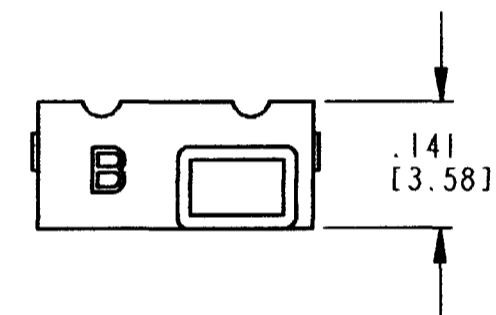
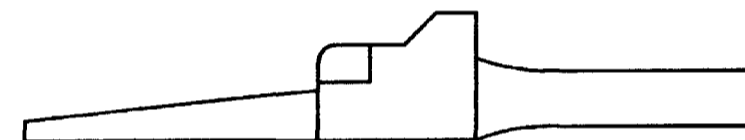
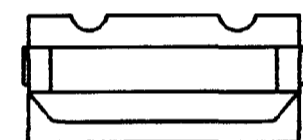
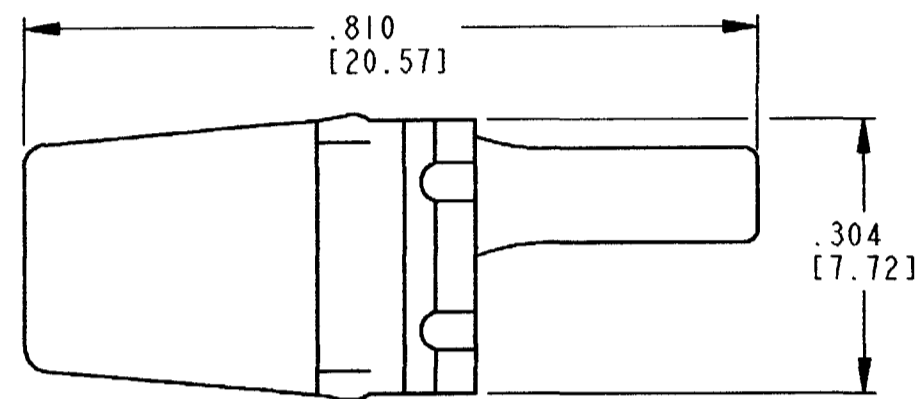
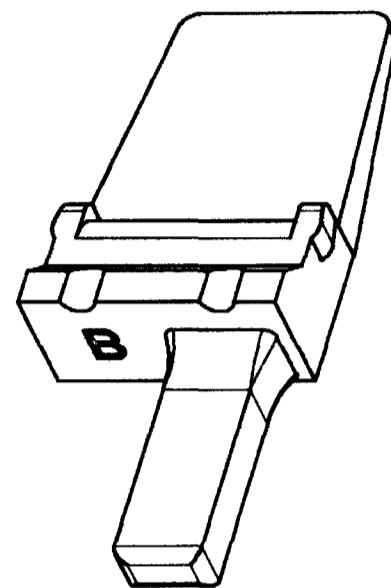


REV
A WM-2PB

REVISIONS			
SYM	DESCRIPTION	DATE	APPROVED
NC	NEW RELEASE PER E.O. P15181	1-7-97	R.D.R.
A	REDRAWN & REVISED PER E.O. P19420	12-11-06	RDR



- 4. THIS WEDGE LOCK MATES WITH DTM04-2PB-**** RECEPTACLE (**** = ALL MODIFICATIONS).
- 3. MATERIAL: PLASTIC; COLOR: BLACK.
- 2. DIMENSION TOLERANCE: ±.025 [.64].
- 1. DIMENSIONS ARE IN INCHES [mm].

NOTES: UNLESS OTHERWISE SPECIFIED

SIGNATURE & DATE	
DR	J. APOSTOL 21 NOV 2006
CHK	R. Meyer 12/4/06
PE	D. Meyer 12/5/06
APPD	R. Reed 12-11-06
SCALE	NONE WT

WEDGE LOCK
2 CONTACTS
RECEPTACLE HOUSING
DTM SERIES

ENVELOPE

EP	MATL. CODE
The Deutsch Company DEUTSCH I.P.D. 3850 INDUSTRIAL AVE. HEMET, CALIF. 92545	
B	WM-2PB
DWG SIZE	CODE 11139 SHEET OF