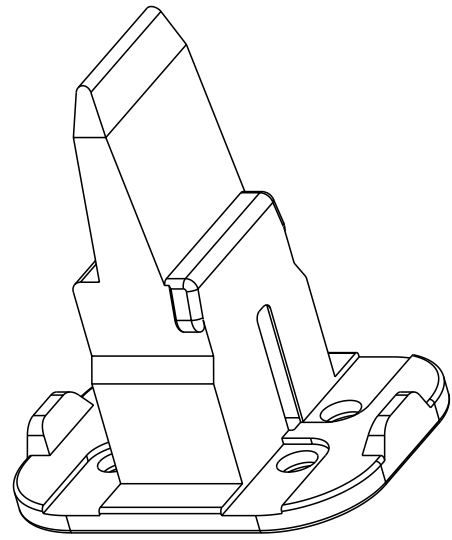
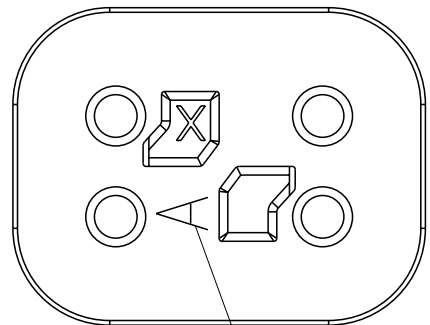
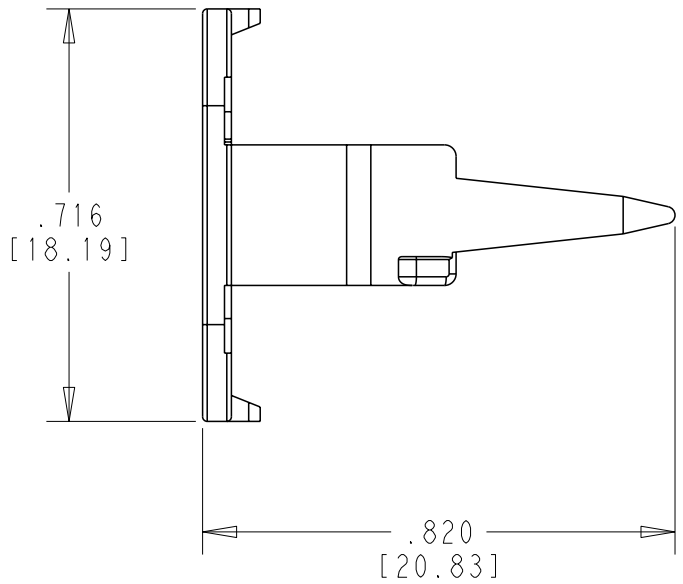


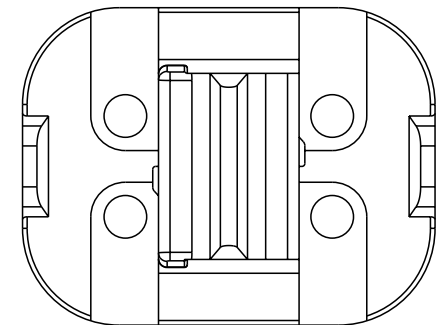
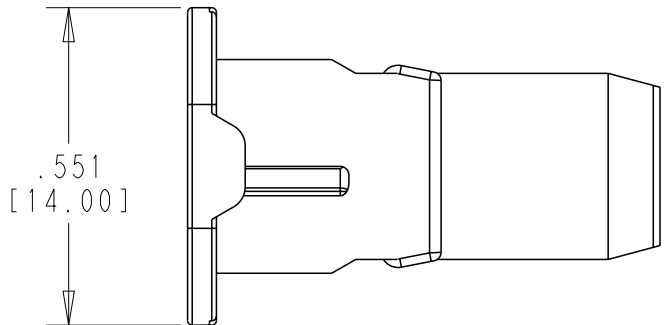
REVISIONS					
P	LTR	DESCRIPTION	DATE	DWN	APVD
	NC	NEW RELEASE PER E.O. P16276	09AUG1999	TS	RDR
	B	REVISED PER PCN-23-190134	05OCT2023	GB	CB



3D VIEW



WEDGE KEY IDENTIFICATON



1. THIS WEDGE LOCK IS UTILIZED BY DT06-4S-XXXX (XXXX = ALL MODIFICATIONS). CONSULT FACTORY FOR MODIFICATIONS.. WEDGE DESIGNED TO MATE WITH RECEPTACLE WEDGE W4PA.

NOTES:

THIS DRAWING IS A CONTROLLED DOCUMENT.		DWN S. THEIS 27AUG1999				
DIMENSIONS: INCHES [mm]		CHK -				
		APVD R. REED 08SEP2023	NAME WEDGE LOCK -A- KEY POSITION P012 MOD DT SERIES			
		TOLERANCES UNLESS OTHERWISE SPECIFIED: 0 PLC ±- 1 PLC ±- 2 PLC ±- 3 PLC ±.025 [.63] 4 PLC ±- ANGLES ±-		PRODUCT SPEC 108-151009	RESTRICTED TO -	
MATERIAL PBT GF 30 COLOR : GRAY		FINISH -	APPLICATION SPEC 114-151009	SIZE A3	CAGE CODE 00779	DRAWING NO G-W4SA-P012
CUSTOMER DRAWING			WEIGHT 1.21 g	SCALE 3:1	SHEET 1 OF 1	REV B

printed on 23 Oct 2023 15:54 (Eastern Standard Time) from TE354946