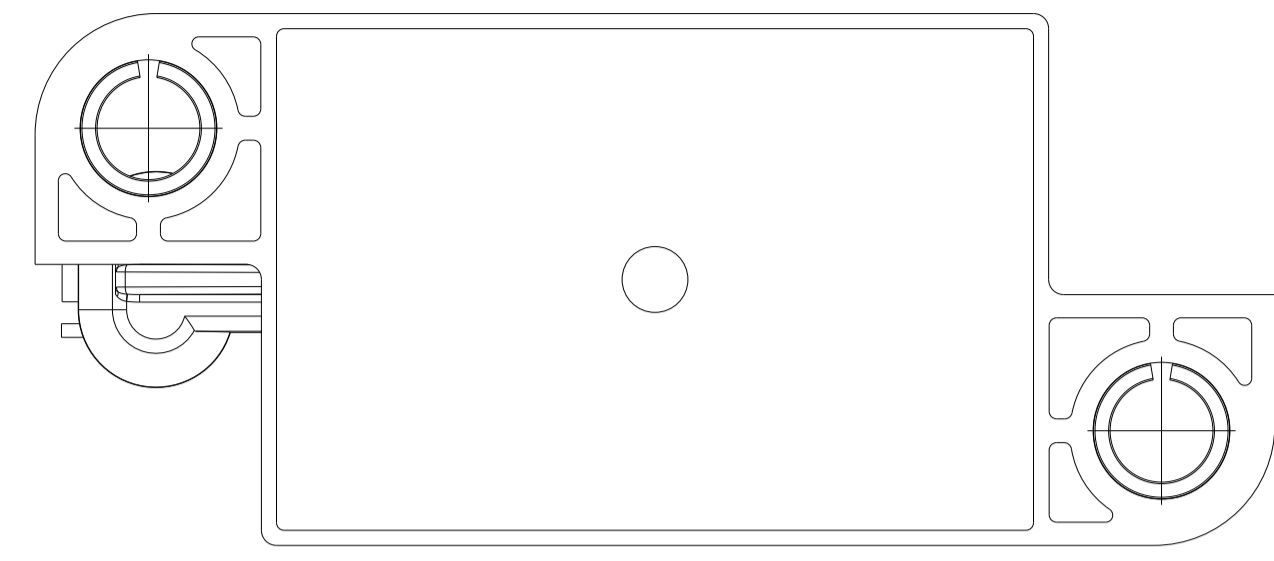
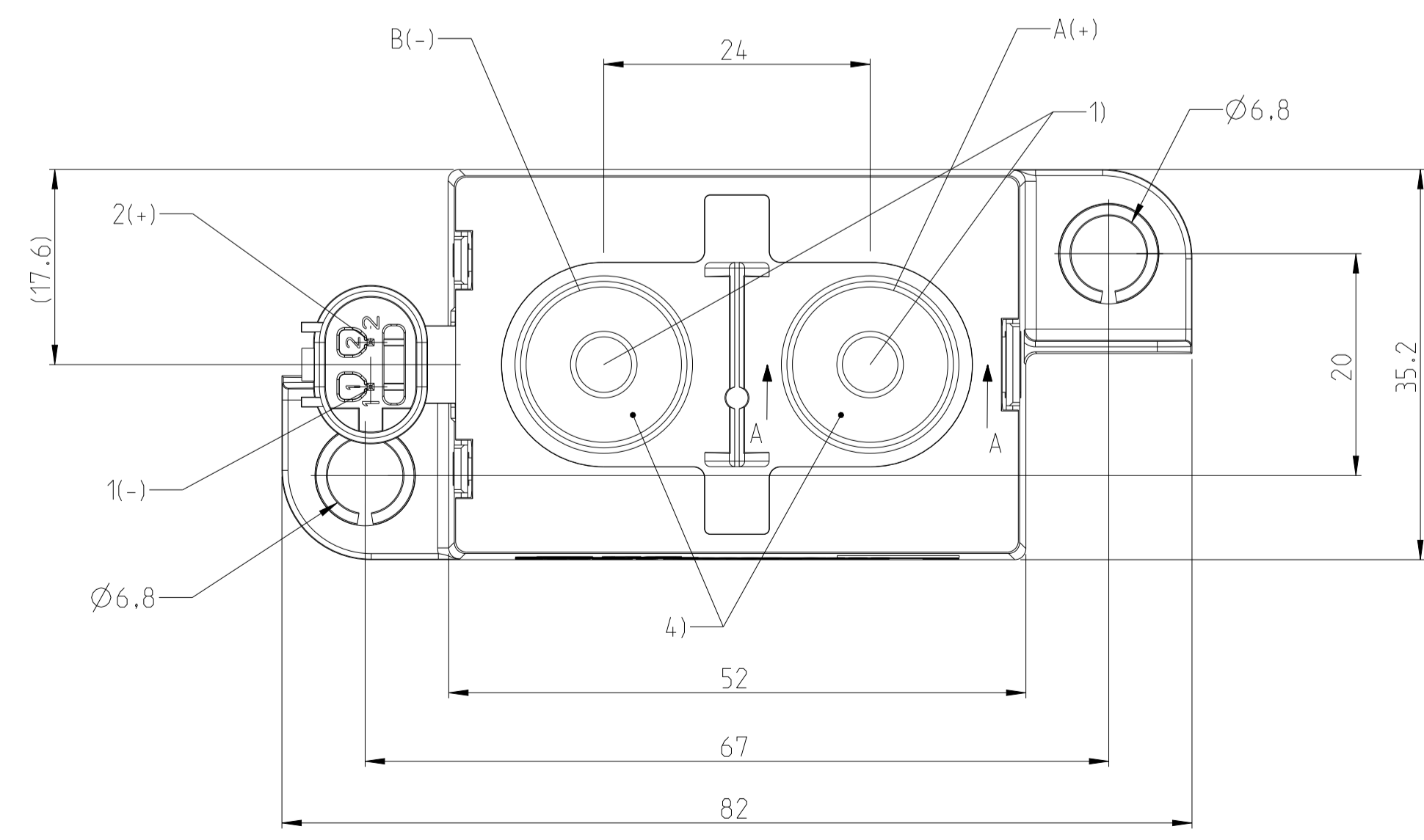
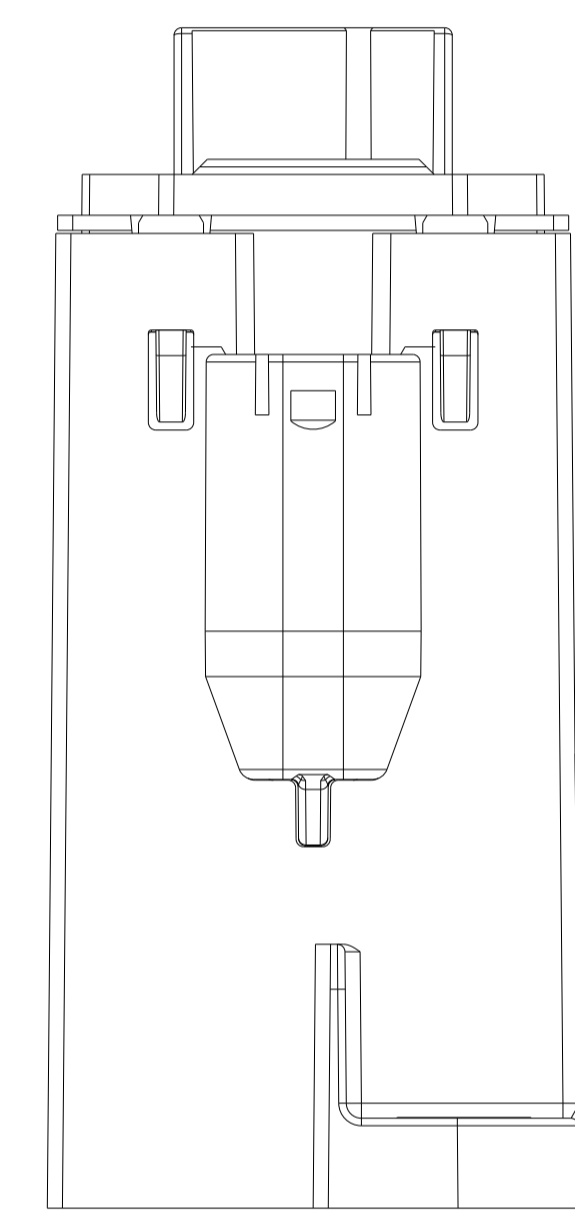
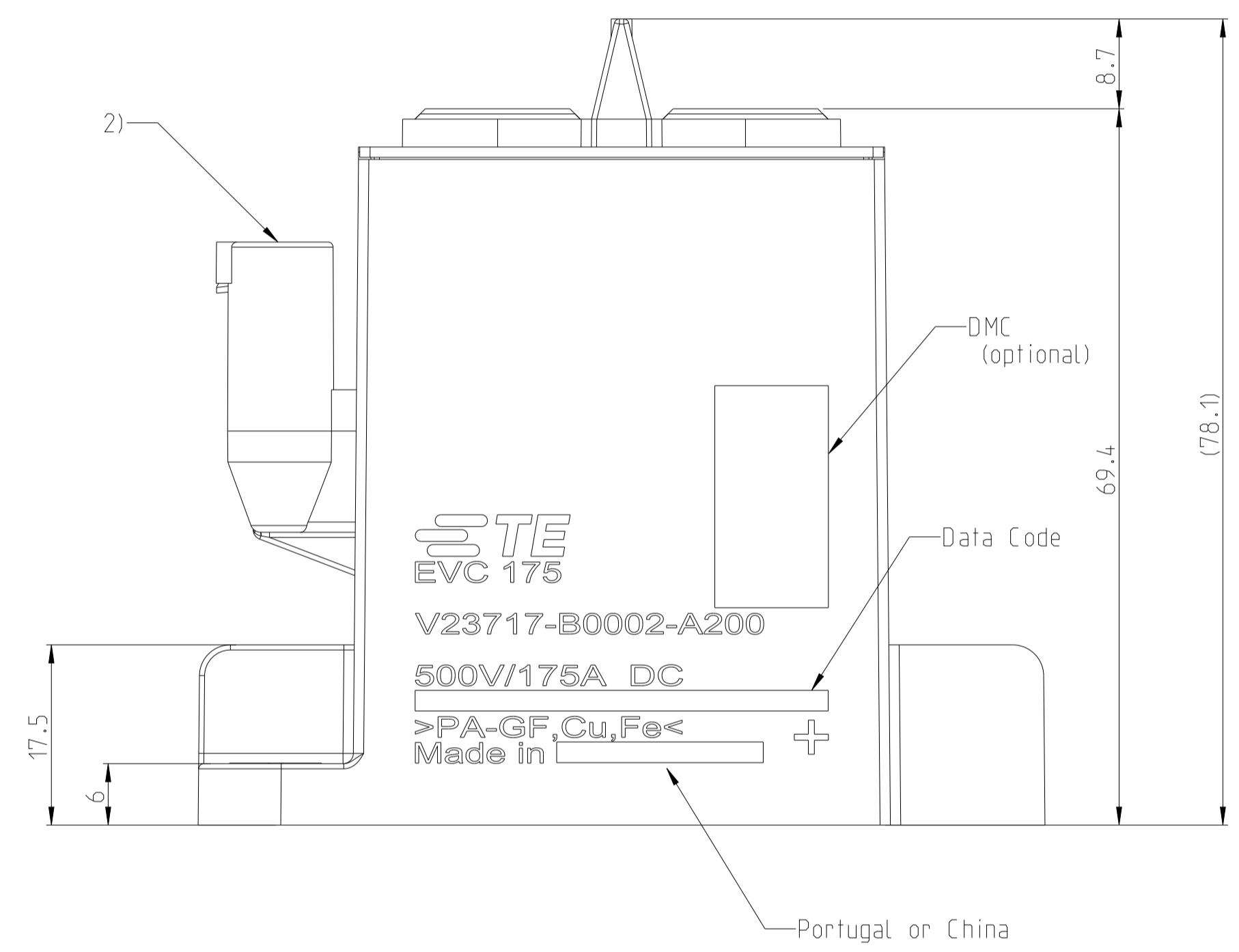
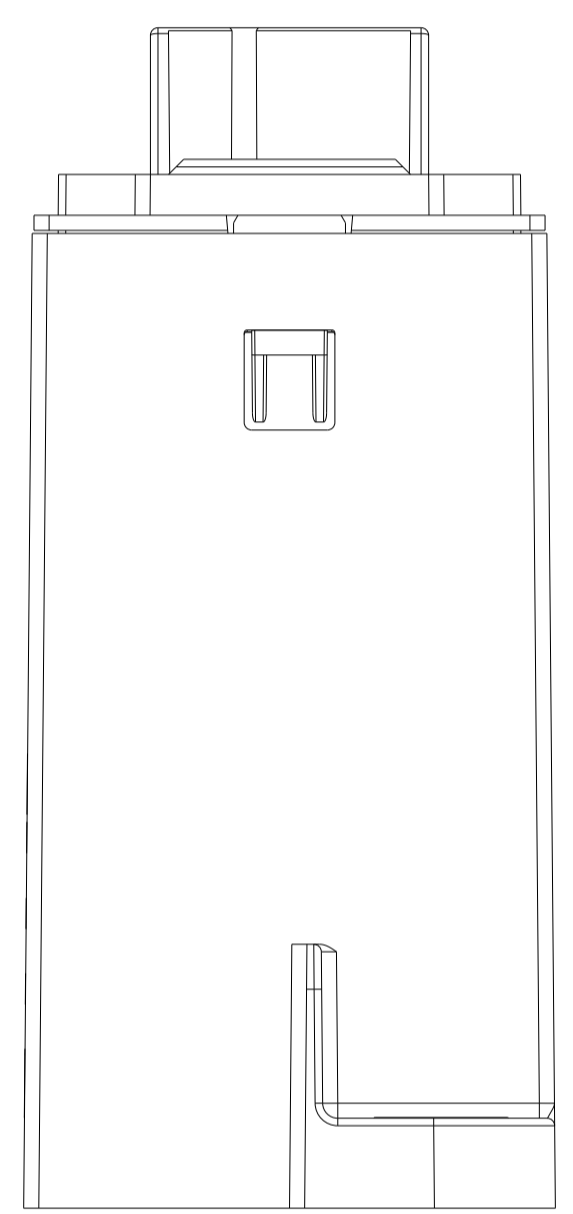
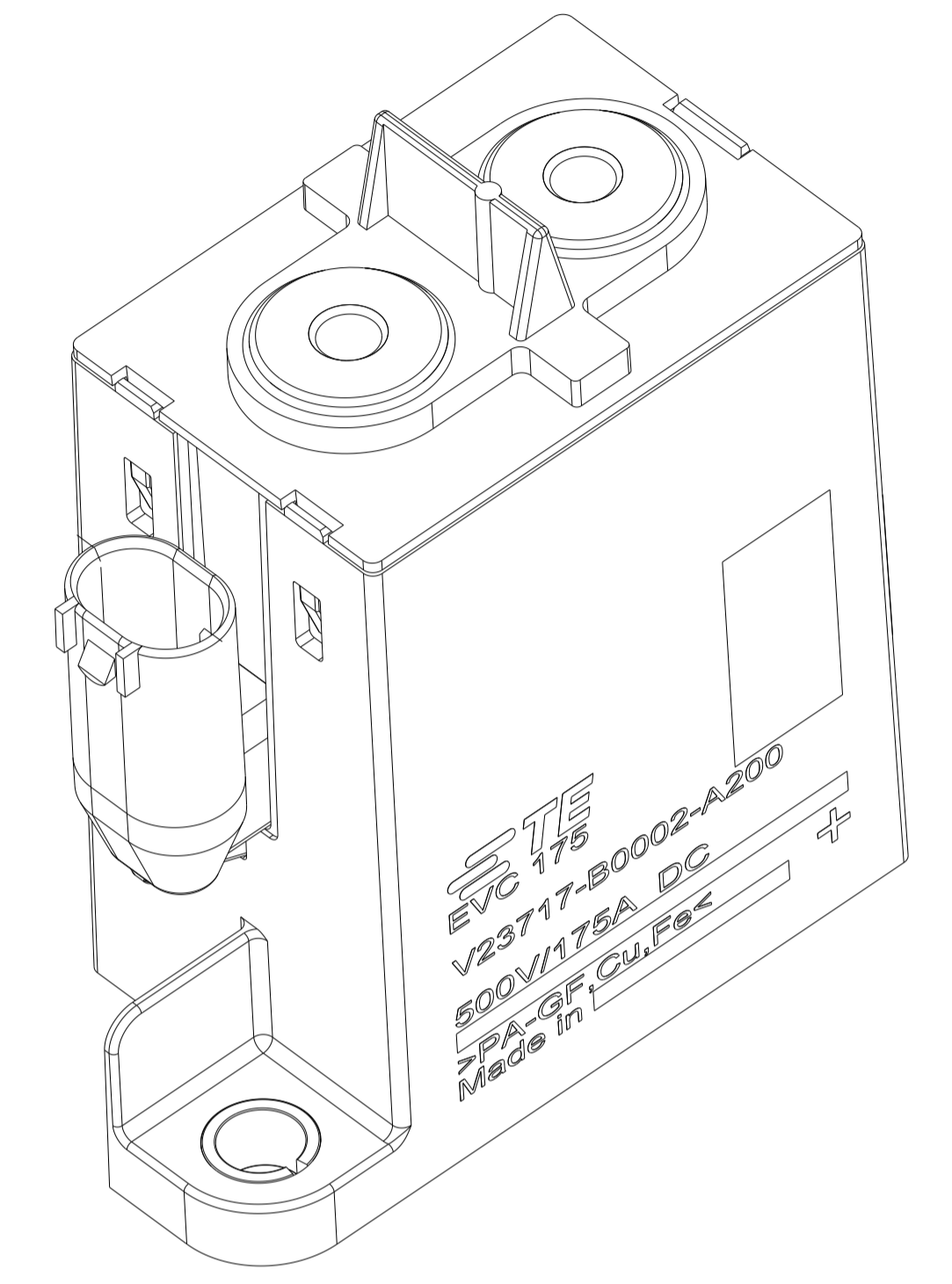


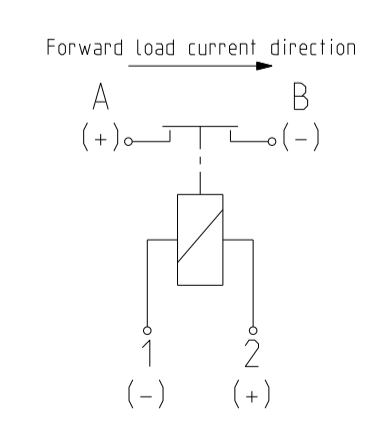
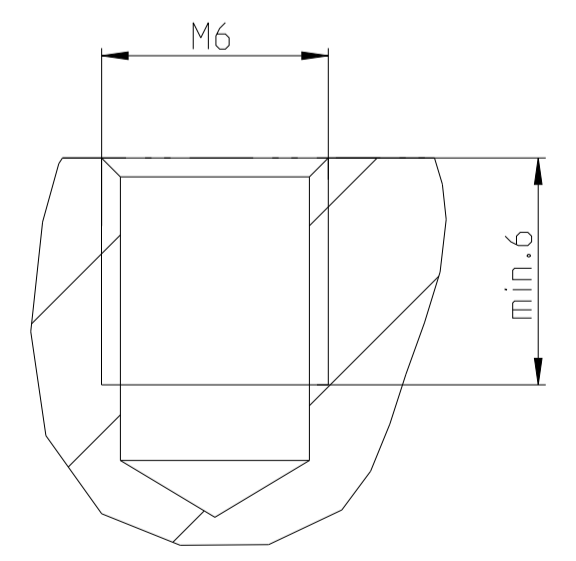
REVISIONS				
P	LTN	DESCRIPTION	DATE	DMN APVD
B	ECO-19-005923		18APR2019	JGAB RW
C	ECO-19-019020		17DEC2019	JGAB THAE
D	ECO-20-007979		09JUN2020	JGAB THAE
E	ECN-23-213536		18MAY2023	LAM THAE



EVC175. Marking, Bottom Mount Relay for Portugal and China Production



Applies for Terminal A and B
 A-A
 5:1



- Notice:
- 1) Permitted Torque max. 5 Nm
 - 2) Socket Housing
TE Interface 2 Pos. MQS Code A, appropriate for Socket Housing 2 Pos. MQS, TE Part No. 1-967644-1
 - 3) Tolerances ISO8015 / ISO 2768-cl
 - 4) Plating Sn

China Production	2312311-3	D	V23717-B0002-A200
Evora Production	8-1904133-1	E	V23717-B0002-A200
Remark	TCPN	REV	PART ALIAS

THIS DRAWING IS A CONTROLLED DOCUMENT.		DMN	L. Ameixa	14FEB2017	TE Connectivity NAME EVC 175 Bottom Mount
DIMENSIONS: mm		CHK	T. Haehnel	14FEB2017	
TOLERANCES UNLESS OTHERWISE SPECIFIED:		APVD	T. Haehnel	14FEB2017	
0 PLC # 1 PLC # 2 PLC # 3 PLC # 4 PLC # ANGLES #°		3) PRODUCT SPEC APPLICATION SPEC WEIGHT 295g CUSTOMER DRAWING		SIZE A1 CAGE CODE --- DRAWING NO. C=V23717-B0002-A200 RESTRICTED TO - SCALE 2:1 SHEET 1 OF 1 REV E	