

Connectors for Mini ISO Relays

Connectors in 3 different versions

■ PCB Socket

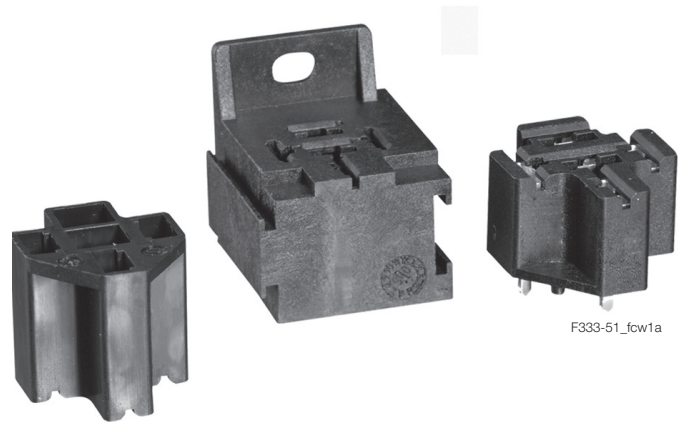
With the solderable connector Mini ISO relays with plug-in terminals can be mounted on leadframes. This allows easy and reasonable replacement in case of service.

■ Connector

5 pole connector with snap-in pin to lock in frame.

■ Connector with mounting flap

5 pole connector that can be mounted individually or interlocked. The connector has a snap-in pin to lock in frame. The mounting bracket also allows screw-on. The mounting bracket also allows screw-on.



F333-51_fcw1a

Technical Data

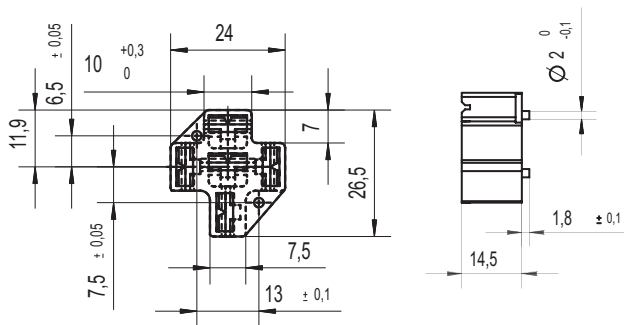
| | |
|---|------------------------|
| Weight | |
| PCB socket | approx. 7.0g (0.25oz) |
| Connector | approx. 3.9g (0.14oz) |
| Connector with mounting flap | approx. 20.6g (0.73oz) |
| Storage conditions according to IEC600688 ¹⁾ | |
| Packaging/unit | |
| PCB socket (V23333-Z0002-B041) | 500 pcs. |
| Connector (V23333-Z0001-A007) | 500 pcs. |
| Connector with mounting flap (V23333-Z1001-A008) | 200 pcs. |

¹⁾ For general storage and processing recommendations please refer to the Application Notes and especially to storage in our Definitions or at <http://relays.te.com/appnotes/>

Dimensions

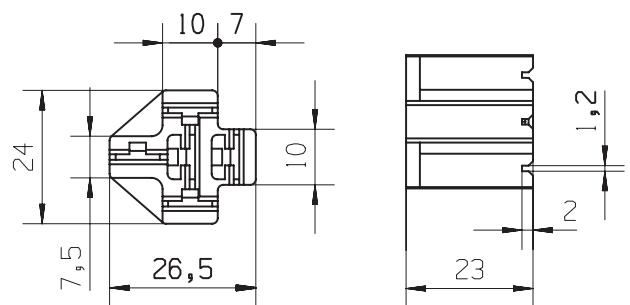
PCB socket V23333-Z0002-A041

Mounting recommendation: to keep insertion force away from the PCB the soldering of the socket to the PCB should be done with already inserted relay.

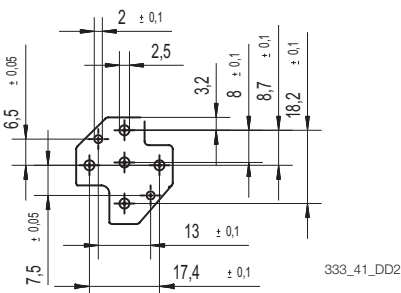


Connector V23333-Z0001-A007

Terminals to be ordered separately.



333_7_DD2

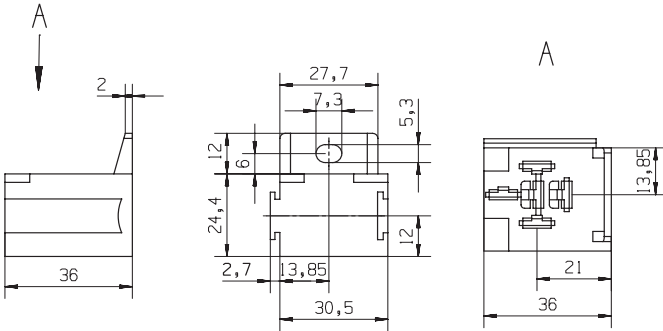


333_41_DD2

Connectors for Mini ISO Relays

Connector with mounting flap V23333-Z1001-A008

To be mounted individually or can be interlocked.
Terminals to be ordered separately.



333_8_DD2

| Part numbers for connectors | | Selection of fitting crimp terminals ²⁾ (Ph. bronze tin plated) ³⁾ | | | | | | | |
|-----------------------------|-------------|--|------------------------|--------------|-------------------|--------|--------------------|----------------------|---------------------------------|
| Product code | Part number | Terminal size | Wire mm ² | Use for | Quantity required | | Use in cavities | | Part number for crimp terminals |
| | | | | | Form A | Form C | Form A | Form C | |
| V23333-Z0002-A041 | 2-1904045-4 | - | - | - | - | - | - | - | - |
| V23333-Z0001-A007 | 1-1904045-1 | 6.3 x 0.8 6.3 x 0.8 | 0.5 - 1.5 1.0 - 2.5 | Coil Load | 2 2 | 2 3 | 1 and 2 3 and 5 | 1 and 2 3,4 and 5 | 5-160526-9 160927-4 |
| V23333-Z1001-A008 | 1-1904045-2 | 6.3 x 0.8 6.3 x 0.8 | 0.5 - 1.5 1.0 - 2.5 | Coil Load | 2 2 | 2 3 | 1 and 2 3 and 5 | 1 and 2 3,4 and 5 | 5-160526-9 160927-4 |

2) Crimp terminals to be ordered separately.

3) Mentioned crimp terminals are delivered in strip-form, loose pieces and hand tool available on request.