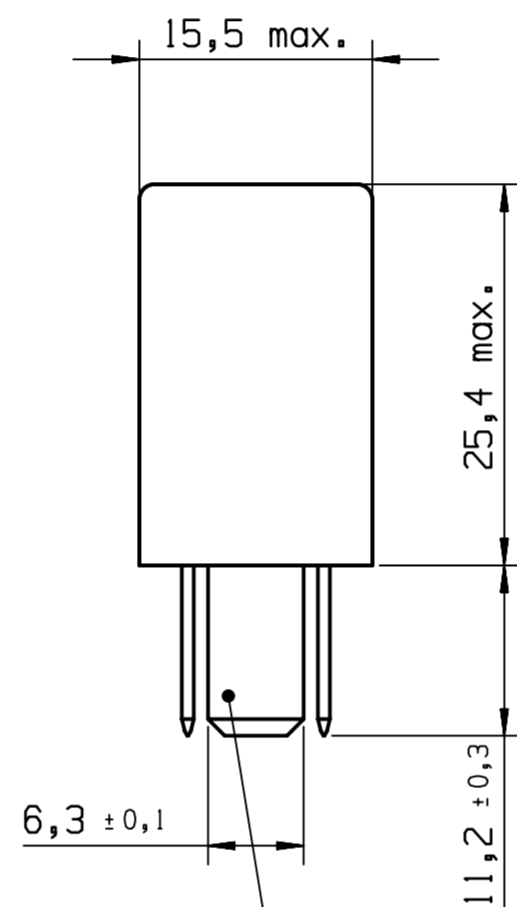
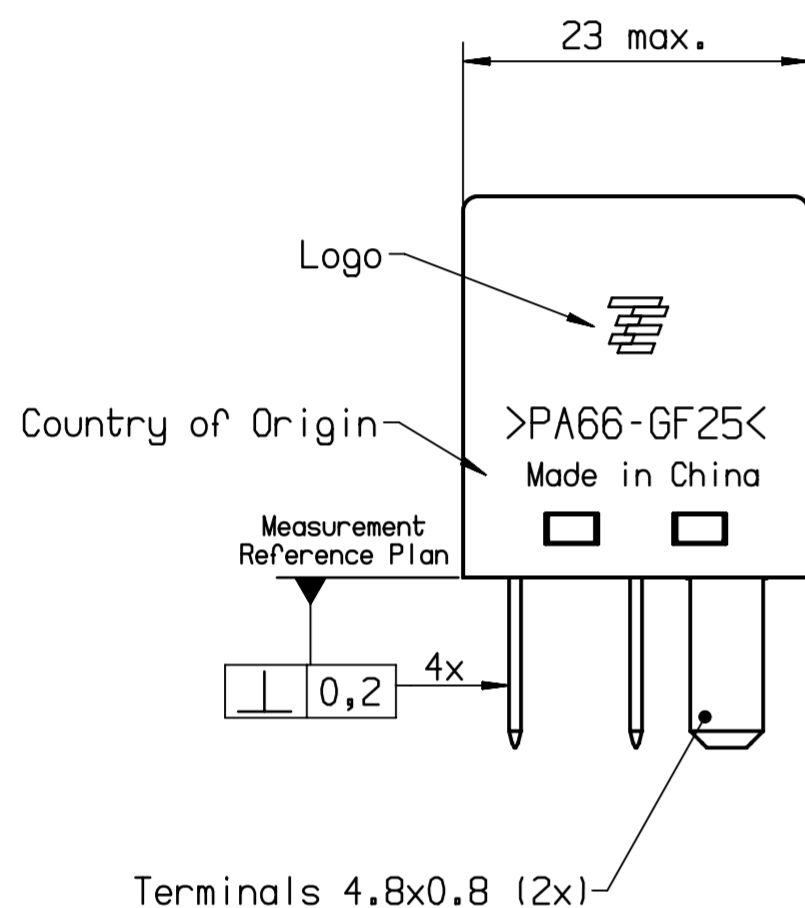
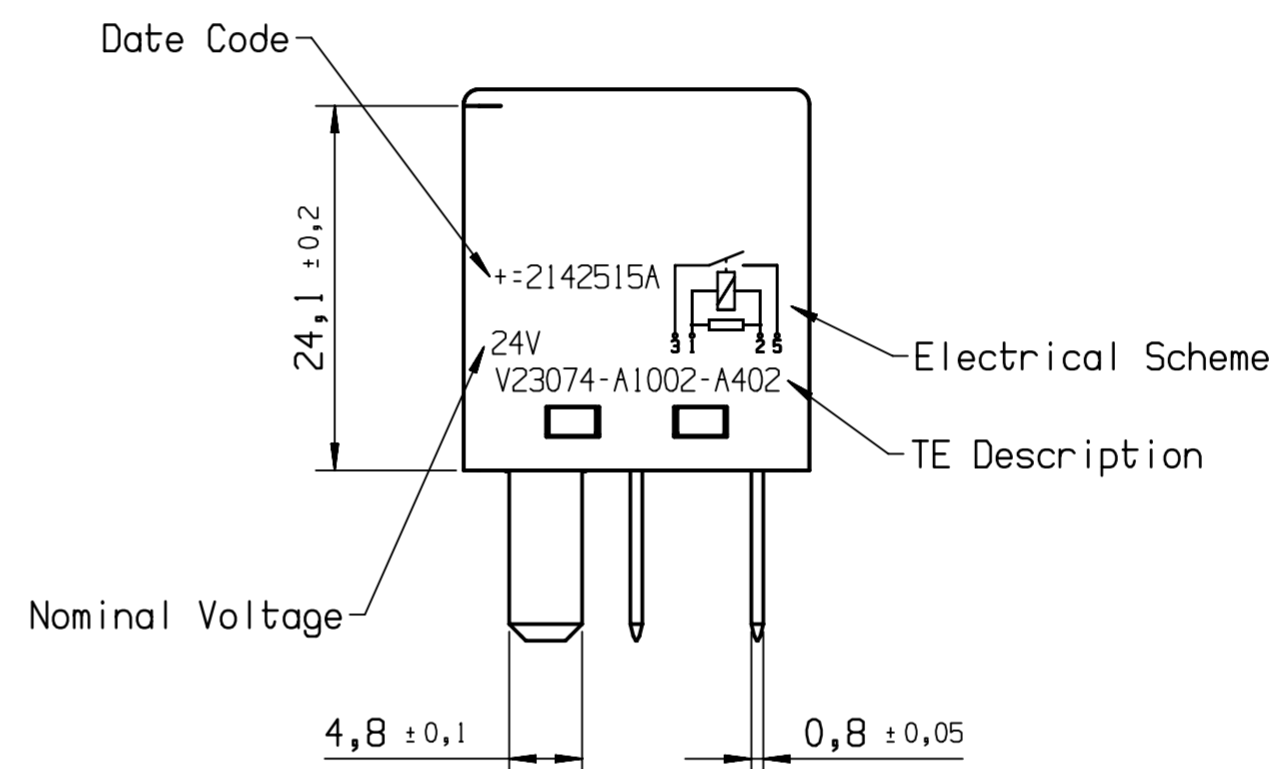


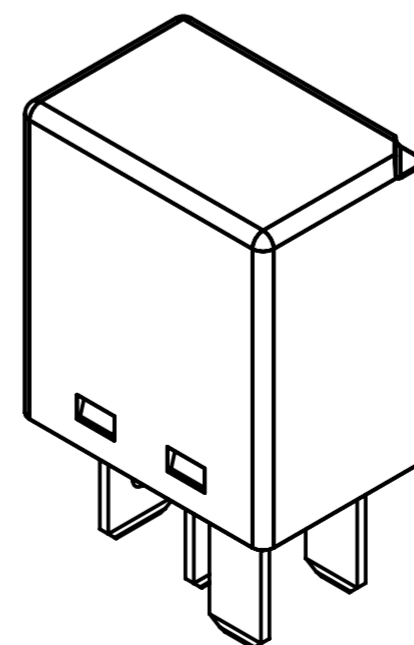
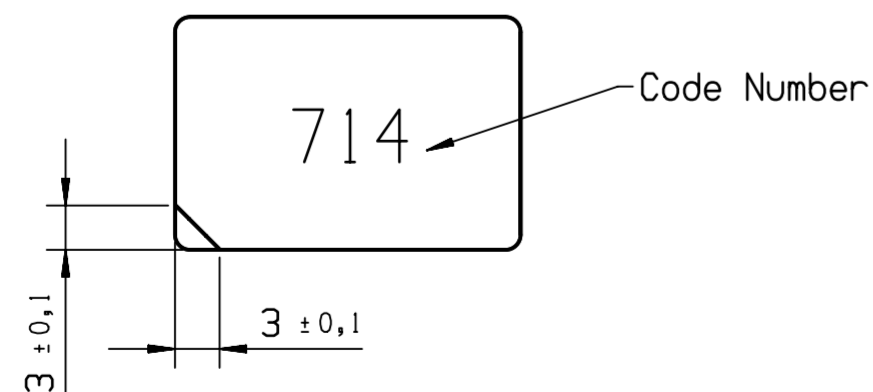
Positional Tolerance: $\oplus 0,15$



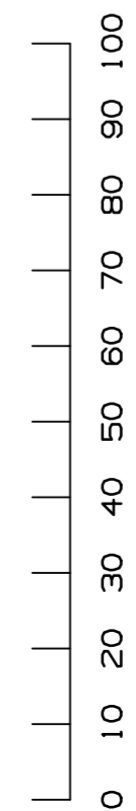
Terminals 6.3x0.8 (2x)



View From the Topside (Rotated 180°)



TE PN	TE Description
8-1393292-9	V23074-A1002-A402



PROPRIETARY THE REPRODUCTION, TRANSMISSION OR USE OF THIS DOCUMENT OR IT'S CONTENTS IS NOT PERMITTED WITHOUT EXPRESSED WRITTEN AUTHORITY. OFFENDERS WILL BE LIABLE FOR ALL DAMAGES. ALL RIGHTS, INCLUDING RIGHTS CREATED BY REGISTERED PATENT(S) GRANTED FOR A UTILITY MODEL OR DESIGN, ARE RESERVED.				CHANGES TO THIS DRAWING MUST BE DONE ONLY IN CAD	PAPER SIZE A2
APPLICABLE SPEC.:				FINISH	
TOLERANCE UNLESS SPECIFIED OTHERWISE Tol. ISO 8015 ISO 2768 - v1				DIMENSIONS APPLY SCALE 2:1; 5:1	PLATING WEIGHT 18g
DIMENSIONS IN MM				MATERIAL	
DATE 18MAR2016				PART NAME Dimension Drawing Micro A	
DWN. HFrancisco				DWG NO. V23074-A1002-A402	
APP.				SHT. 1 OF 1	
REV. A Initial Version 28OCT2016 HMF				CLASS 1 CUSTOMER DRAWING	
LOCATION PE Evora				STE connectivity	
REV. CHANGE ORDER DATE APP.				A3 ECO-21-004021 26MAR2021 HMF A2 ECO-21-001196 27JAN2021 HMF A1 ECO-17-001381 01FEB2017 HMF	