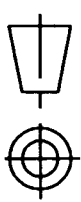
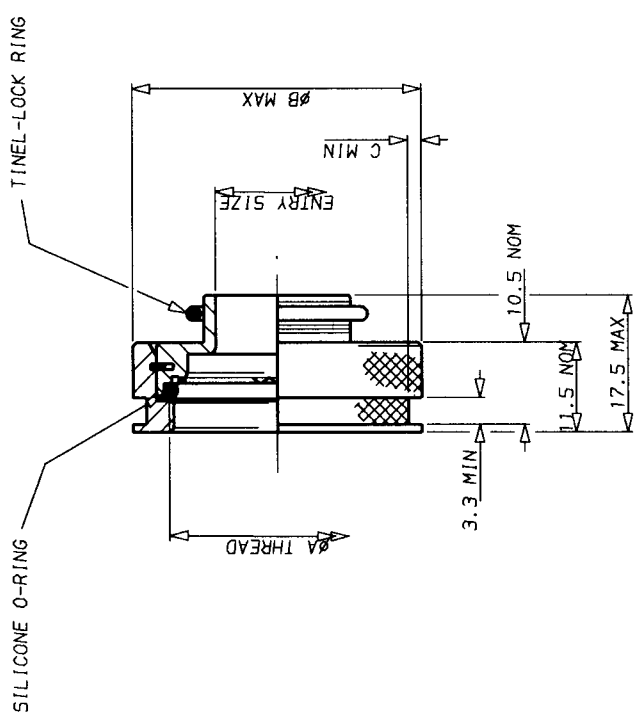


ISSUE	DESCRIPTION	DRAWN	DATE	APPR.
A	PRODUCTION ISSUE	IRT	SEP 95	KJW



3rd ANGLE PROJECTION



PART NUMBERING SYSTEM

PRODUCT DESIGNATOR IXS104-A B 00 1B 10 A 1
 MATERIAL SEE CH00-0250-004 TABLE 1
 FINISH SEE 5-CH00-0157-002
 00: STRAIGHT ADAPTOR
 ORDER NUMBER
 ENTRY SIZE SEE 5-CH00-0250-00B/UK
 BRAID DESIGNATOR
 BRAID A: SINGLE LAYER 36 AWG
 BRAID B: SINGLE LAYER 30 AWG
 DOUBLE LAYER 36 AWG
 RING WITH INSULATING LINING

PART NUMBER	MAX ENTRY SIZE	ØA THREAD RH CLASS	ØB MAX	C MIN
TXS104 **00-08***I	04	M12 x 1.0	18.25	1.15
TXS104 **00-10***I	07	M15 x 1.0	21.25	1.15
TXS104 **00-12***I	08	M18 x 1.0	24.50	1.15
TXS104 **00-14***I	10	M22 x 1.0	29.00	1.75
TXS104 **00-16***I	12	M25 x 1.0	33.50	1.75
TXS104 **00-18***I	14	M28 x 1.0	37.50	1.75
TXS104 **00-20***I	16	M31 x 1.0	39.50	1.75
TXS104 **00-22***I	18	M34 x 1.0	42.00	1.75
TXS104 **00-24***I	20	M37 x 1.0	45.00	1.75

NOTES

- THIS PRODUCT IS DESIGNED TO TERMINATE A BRAIDED CABLE SHIELD AND A HEAT SHRINKABLE LIPPED BOOT TO A CONNECTOR - SEE NOTE 5.
- SEE DRAWING TR FOR DETAIL ON TINEL-LOCK RING. RINGS ARE DESIGNED TO BE HEATED ELECTRICALLY. ALL RINGS ARE MARKED WITH THERMOCHROMIC PAINT WHICH CHANGES COLOUR WHEN INSTALLATION TEMPERATURE IS REACHED.
- ADAPTOR TO BE IDENTIFIED, (BAGGED AND LABELLED), WITH CODE IDENTIFICATION NUMBER AND PART NUMBER LESS RING DESIGNATOR. (e.g. 06090 TXS104-AB00-1810). RINGS SHALL BEAR NO MARKING.
- TINEL-LOCK RING IS TO BE SPECIFIED IN PART NUMBER WHEN ORDERING.
- ADAPTOR MATES TO MIL-C-38999 SERIES III AND IV CONNECTORS.

SPECIFICATION CONTROL DRAWING		DO NOT SCALE THIS DRAWING	
DRAWN	IRT	THIS DRAWING AND THE INFORMATION SET FORTH HEREON ARE THE PROPERTY OF RAYCHEM AND ARE TO BE HELD IN TRUST AND CONFIDENCE. PUBLICATION, REPRODUCTION, DISSEMINATION OR USE EXPRESSLY FORBIDDEN IN WRITING BY RAYCHEM IS PROHIBITED.	
CHECKED	KJW	UNLESS OTHERWISE SPECIFIED, DIMENSIONS ARE IN MM. TOL'S ARE:	
APPROVED	KJW	ANGLES = ± 0°30'	
PROJECT	85086	0 FIG = ± 0.5	
CODE IDENT. NO.	06090	1 FIG = ± 0.1	
		2 FIG = ± 0.05	

Raychem		FARADAY RD. DORCAN, SWINDON. SN3 5JB	
TITLE		TINEL ADAPTOR ASSEMBLY - FIXED	
PART NUMBER		TXS104-**00-***I	
ISSUE	A	ISSUE	A
	3		3