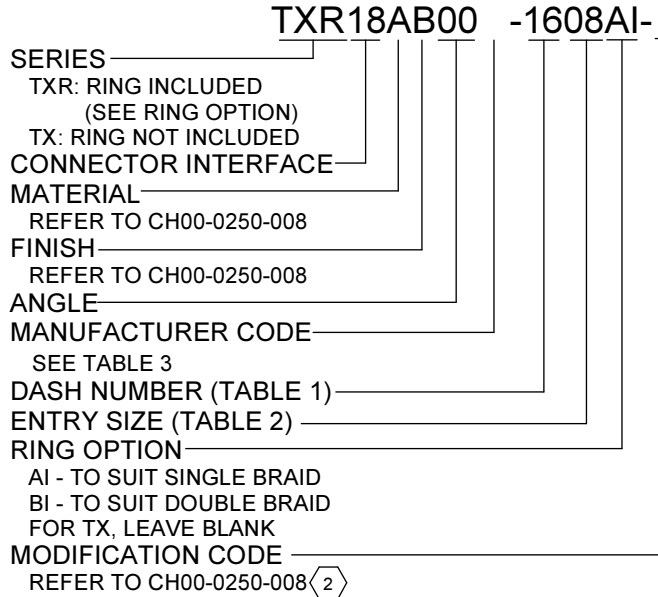


CODE 18 - TINEL-LOCK BACKSHELL



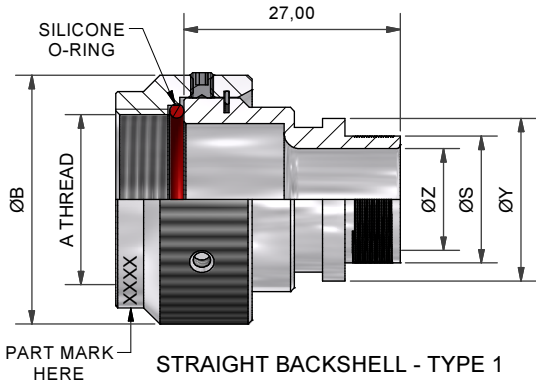
NOTES:

1. THIS PRODUCT IS DESIGNED TO TERMINATE A BRAIDED CABLE SHIELD AND A HEAT SHRINKABLE LIPPED BOOT TO A CONNECTOR.
- (2) FOR ADDITIONAL DIMENSIONS, ORDERING INFORMATION AND MODIFICATIONS, SEE CH00-0250-008.
- (3) SEE DRAWING TR FOR DETAIL ON TINEL-LOCK RING, RINGS ARE DESIGNED TO BE HEATED ELECTRICALLY, ALL RINGS ARE MARKED WITH THERMOCHROMIC PAINT WHICH CHANGES COLOUR WHEN INSTALLATION TEMPERATURE IS REACHED.
4. BACKSHELL TO BE PERMANENTLY MARKED/BAGGED AND LABELLED WITH CODE IDENTIFICATION NUMBER AND PART NUMBER LESS RING DESIGNATOR. (e.g. 06090-TXR18AB00-1406). RING SHALL BEAR NO MARKING.
- (5) IF MAX ENTRY IS EXCEEDED, A 2 PIECE BACKSHELL ASSEMBLY (TYPE 2) IS SUPPLIED.
6. BACKSHELL MATES TO MIL-DTL-5015D, CLASS A, E & R, MS3100, MS3101 & MS3106. RESILIENT INSERT, SOLDER TYPE & BENDIX 10-214, CANNON CA-RX COMMERCIAL CRIMP TYPE.
- (7) ADDITIONAL PIECE(S) SUPPLIED WHEN CONNECTOR MANUFACTURER IS UNKNOWN ("D" IN TABLE 1).
- (8) ALL THREADS SIZES FOR ORDER NO. APPLY
- (9) ANTI-ROTATIONAL SET SCREW, THREE THREADED HOLES 120° ± 5° APART, SINGLE MATING SET SCREW SUPPLIED: AN565DC4H2, NOT REQUIRED FOR TYPE 2 ADAPTERS.

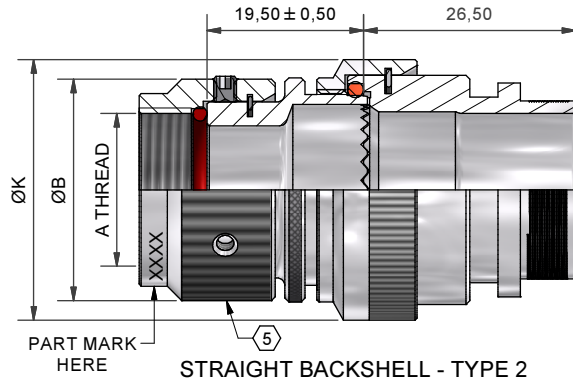
If this document is printed it becomes uncontrolled. Check for the latest revision

| | | | | | | |
|--|---------------------------|--------------------|--|--|-------------------------------|--------------------------|
| DRAWN | K.WINCZURA | DATE 18/12/2014 | | TITLE: | <h2>TINEL-LOCK BACKSHELL</h2> | |
| CHECKED | | 18/12/2014 | | ASSY USED ON: | | |
| APPROVED | K.SHEPPARD | 19/12/2014 | UNLESS OTHERWISE SPECIFIED ALL DIMENSIONS IN MILLIMETRES GENERAL TOL LINEAR +/-0.25MM ANGULAR +/- 1° | | | |
| APPROVED | H.SMITH | 07/07/2015 | | | | |
| REVISIONS | | | | | | |
| LTR | DESCRIPTION | DATE | APPROVED | | | |
| J | REVISED PER ECO-15-002435 | 18/02/2015 | H.SMITH | | | |
| K | REVISED PER ECO-15-009990 | 07/07/2015 | H.SMITH | | | |
| TE CAGE CODE: 06090 POLAMCO/TE CAGE CODE: U5792 | | | | | | |
| | | | | TE CONNECTIVITY - POLAMCO LTD RESERVES THE RIGHT TO AMEND THIS DRAWING AND THE INFORMATION SET FORTH HEREON AT ANY TIME. USERS SHOULD INDEPENDENTLY EVALUATE THE SUITABILITY OF THE PRODUCT FOR THEIR APPLICATION. | DRAWING NO: TXR18 | DRAWING REV: K |
| | | | | | SHT 1 | |

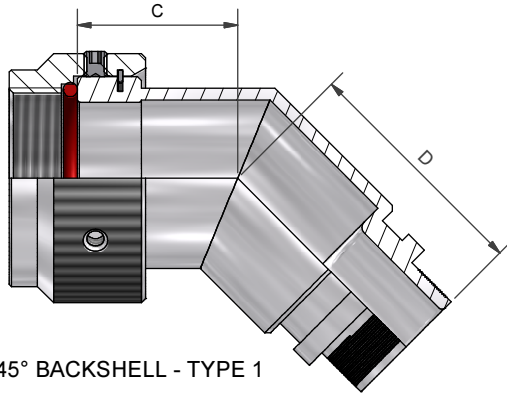
IF MAX ENTRY IS EXCEEDED BACKSHELL WILL BE SUPPLIED AS TYPE 2



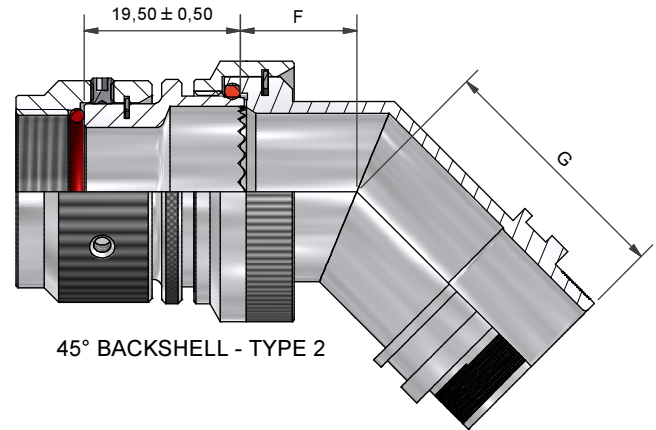
STRAIGHT BACKSHELL - TYPE 1



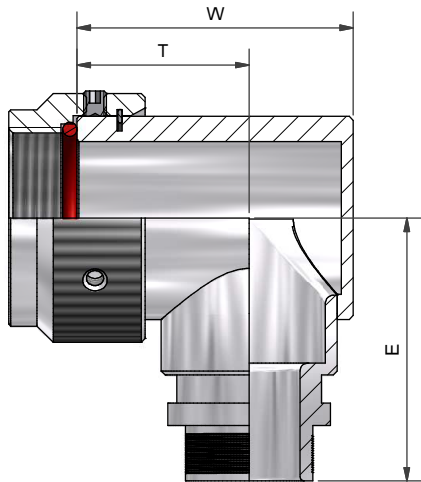
STRAIGHT BACKSHELL - TYPE 2



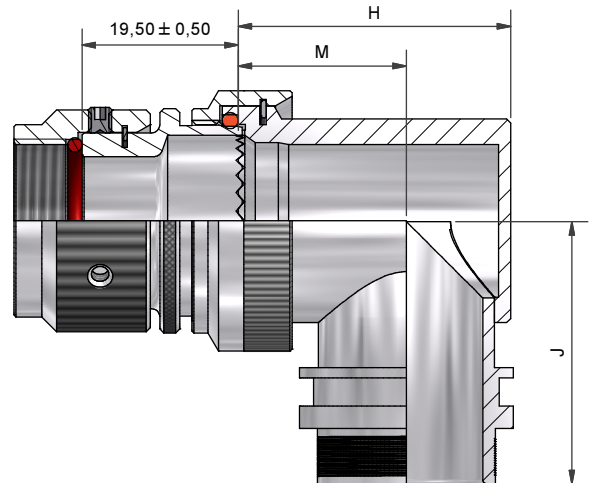
45° BACKSHELL - TYPE 1



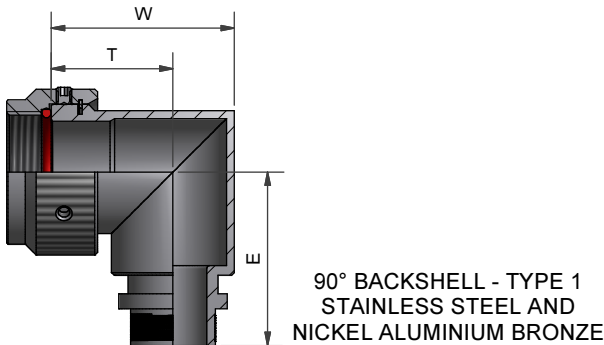
45° BACKSHELL - TYPE 2



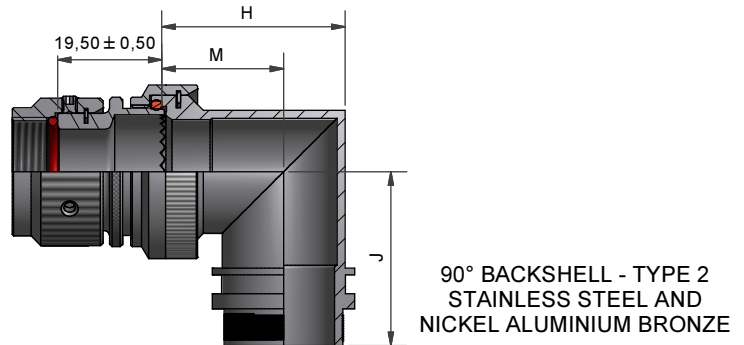
90° BACKSHELL - TYPE 1



90° BACKSHELL - TYPE 2



90° BACKSHELL - TYPE 1
STAINLESS STEEL AND
NICKEL ALUMINIUM BRONZE



90° BACKSHELL - TYPE 2
STAINLESS STEEL AND
NICKEL ALUMINIUM BRONZE

| | | | |
|----------|------------|------|------------|
| DRAWN | K.WINCZURA | DATE | 18/12/2014 |
| CHECKED | | DATE | 18/12/2014 |
| APPROVED | K.SHEPPARD | DATE | 19/12/2014 |
| APPROVED | H.SMITH | DATE | 07/07/2015 |

3RD ANGLE PROJECTION NOT TO SCALE

UNLESS OTHERWISE SPECIFIED ALL DIMENSIONS IN MILLIMETRES
GENERAL TOL
LINEAR +/-0,25MM
ANGULAR +/- 1°

TITLE:
TINEL-LOCK BACKSHELL

ASSY USED ON:
MIL-DTL-5015D

| REVISIONS | | | |
|-----------|---------------------------|------------|----------|
| LTR | DESCRIPTION | DATE | APPROVED |
| J | REVISED PER ECO-15-002435 | 18/02/2015 | H.SMITH |
| K | REVISED PER ECO-15-009990 | 07/07/2015 | H.SMITH |

TE CONNECTIVITY - POLAMCO LTD RESERVES THE RIGHT TO AMEND THIS DRAWING AND THE INFORMATION SET FORTH HEREON AT ANY TIME. USERS SHOULD INDEPENDENTLY EVALUATE THE SUITABILITY OF THE PRODUCT FOR THEIR APPLICATION.

| | | |
|-----------------------------|--------------------------|-----------------|
| DRAWING NO: TXR18 | DRAWING REV: K | SHT 2 |
|-----------------------------|--------------------------|-----------------|



TE CAGE CODE: 06090
POLAMCO/TE CAGE CODE: U5792

TABLE 1

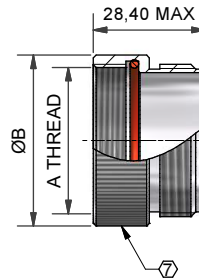
| ORDER NUMBER | SHELL SIZE | MFR CODE TABLE 3 | MAX ENTRY | A THREAD | ØB MAX | C ±0,5 | D ±0,5 | W ±0,5 | T ±0,5 | E ±0,5 | THESE DIMENSIONS APPLY IF BACKSHELL IS STAINLESS STEEL OR NICKEL ALUMINIUM BRONZE | | |
|--------------|------------|------------------|-----------|----------------|--------|--------|--------|----------|--------|--------|---|--------|--------|
| | | | | | | | | | | | W ±0,5 | T ±0,5 | E ±0,5 |
| 08 | 8S | B | 04 | 3/8-32 UNEF | 18,5 | 15,0 | 20,1 | 21,7 | 15,2 | 26,0 | 21,7 | 15,2 | 29,0 |
| | 8S | C | 04 | 7/16-28 UNEF | 18,1 | 15,0 | 20,1 | 21,7 | 15,2 | 26,0 | 21,7 | 15,2 | 29,0 |
| | 8S | A, R | 04 | 7/16-27 UNS | 18,5 | 15,0 | 20,1 | 21,7 | 15,2 | 26,0 | 21,7 | 15,2 | 29,0 |
| | 8S | D (8) | 04 | (7) | 18,5 | 15,0 | 20,1 | 21,7 | 15,2 | 26,0 | 21,7 | 15,2 | 29,0 |
| 10 | 10S | - | 06 | 1/2-28 UNEF | 19,8 | 15,4 | 21,6 | 23,2 | 15,7 | 27,7 | 23,2 | 15,7 | 31,2 |
| 11 | 10SL | C | 07 | 9/16-24 UNEF | 21,6 | 18,4 | 21,6 | 25,0 | 16,5 | 27,7 | 27,2 | 17,5 | 33,0 |
| | 10SL | A, B, R | 07 | 5/8-24 UNEF | 23,2 | 18,4 | 21,6 | 27,2 | 17,5 | 27,7 | 27,2 | 17,5 | 33,0 |
| | 10SL | D (8) | 07 | (7) | 23,2 | 18,4 | 21,6 | 27,2 | 17,5 | 27,7 | 27,2 | 17,5 | 33,0 |
| 12 | 12 & 12S | B, C | 08 | 5/8-24 UNEF | 23,0 | 18,4 | 21,6 | 27,2 | 17,5 | 27,7 | 27,2 | 17,5 | 33,0 |
| | 12 & 12S | A, R | 08 | 11/16-24 UNEF | 24,9 | 18,4 | 21,6 | 27,2 | 17,5 | 27,7 | 27,2 | 17,5 | 33,0 |
| | 12 & 12S | D (8) | 08 | (7) | 24,9 | 18,4 | 21,6 | 27,2 | 17,5 | 27,7 | 27,2 | 17,5 | 33,0 |
| 14 | 14 & 14S | - | 10 | 3/4-20 UNEF | 27,7 | 19,3 | 22,2 | 30,7 | 19,5 | 30,7 | 30,7 | 19,5 | 34,9 |
| 16 | 16 & 16S | - | 12 | 7/8-20 UNEF | 31,1 | 20,0 | 23,6 | 34,2 | 21,5 | 32,4 | 34,2 | 21,5 | 35,5 |
| 18 | 18 | - | 12 | 1-20 UNEF | 34,4 | 20,6 | 23,7 | 37,2 | 23,0 | 34,0 | 37,2 | 23,0 | 37,2 |
| 20 | 20 | A, B, C | 16 | 1 1/8-18 UNEF | 37,6 | 21,3 | 24,6 | 40,7 | 24,5 | 35,6 | 40,7 | 24,5 | 38,7 |
| | 20 | R | 16 | 1 1/8-24 UNS | 37,6 | 21,3 | 24,6 | 40,7 | 24,5 | 35,6 | 40,7 | 24,5 | 38,7 |
| | 20 | D (8) | 16 | (7) | 37,6 | 21,3 | 24,6 | 40,7 | 24,5 | 35,6 | 40,7 | 24,5 | 38,7 |
| 22 | 22 | - | 18 | 1 1/4-18 UNEF | 40,6 | 21,9 | 25,0 | 43,7 | 26,0 | 37,1 | 43,7 | 26,0 | 40,2 |
| 24 | 24 | - | 20 | 1 3/8-18 UNEF | 43,6 | 22,5 | 25,4 | 46,7 | 27,5 | 38,6 | 46,7 | 27,5 | 44,9 |
| 28 | 28 | - | 22 | 1 5/8-18 UNEF | 48,6 | 23,6 | 25,4 | 51,7 | 30,0 | 41,1 | 51,7 | 30,0 | 46,0 |
| 32 | 32 | B, C | 24 | 1 7/8-16 UN | 54,9 | 24,9 | 27,5 | 58,4 | 32,7 | 44,5 | 58,4 | 32,2 | 51,3 |
| | 32 | A, R | 24 | 1 29/32-18 UN | 54,9 | 24,9 | 27,5 | 58,4 | 32,7 | 44,5 | 58,4 | 32,2 | 51,3 |
| | 32 | D (8) | 24 | (7) | 54,9 | 24,9 | 27,5 | 58,4 | 32,7 | 44,5 | 58,4 | 32,2 | 51,3 |
| 36 | 36 | B | 24 | 2 1/16-16 UNS | 64,6 | 27,5 | 29,0 | 67,7 | 38,0 | 49,1 | 67,7 | 38,0 | 54,3 |
| | 36 | R | 24 | 2 1/16-20 UNS | 64,6 | 27,5 | 29,0 | 67,7 | 38,0 | 49,1 | 67,7 | 38,0 | 54,3 |
| | 36 | C | 24 | 2 1/8-16 UN | 64,6 | 27,5 | 29,0 | 67,7 | 38,0 | 49,1 | 67,7 | 38,0 | 54,3 |
| | 36 | A | 24 | 2 1/8-18 UNS | 64,6 | 27,5 | 29,0 | 67,7 | 38,0 | 49,1 | 67,7 | 38,0 | 54,3 |
| | 36 | D (8) | 24 | (7) | 64,6 | 27,5 | 29,0 | 67,7 | 38,0 | 49,1 | 67,7 | 38,0 | 54,3 |
| 40 | 40 | B | 24 | 2 5/16-16 UN | 70,6 | 30,1 | 30,1 | 72,2 | 41,1 | 51,3 | 72,2 | 41,1 | 57,5 |
| | 40 | A, C, R | 24 | 2 3/8-16 UN | 70,6 | 30,1 | 30,1 | 72,2 | 41,1 | 51,3 | 72,2 | 41,1 | 57,5 |
| | 40 | D (8) | 24 | (7) | 69,3 | 30,1 | 30,1 | 72,2 | 41,1 | 51,3 | 72,2 | 41,1 | 57,5 |
| 44 | 44 | - | 24 | 2 5/8-16 UN | 82,0 | 30,1 | 30,1 | 77,6 MAX | 41,1 | 51,3 | 72,2 | 41,1 | 57,5 |
| 48 | 48 | C | 24 | 2 13/16-18 UNS | 82,0 | 31,3 | 38,5 | 84,0 MAX | 44,1 | 57,5 | 75,5 | 40,8 | 57,5 |
| | 48 | A, R | 24 | 2 7/8-16 UN | 82,0 | 31,3 | 38,5 | 84,0 MAX | 47,2 | 57,5 | 75,5 | 40,8 | 57,5 |
| | 48 | D (8) | 24 | (7) | 82,0 | 31,3 | 38,5 | 84,0 MAX | 47,2 | 57,5 | 75,5 | 40,8 | 57,5 |

TABLE 2

| ENTRY SIZE | ØZ MIN | ØS | ØY ±0,3 | ØK MAX | F ±0,5 | G ±0,5 | H ±0,5 | M ±0,5 | J ±0,5 | THESE DIMENSIONS APPLY IF BACKSHELL IS STAINLESS STEEL OR NICKEL ALUMINIUM BRONZE | | | |
|------------|--------|---------------|---------|--------|--------|--------|--------|--------|--------|---|--------|--------|------|
| | | | | | | | | | | H ±0,5 | M ±0,5 | J ±0,5 | |
| 04 | 6,35 | 9,49 +/-0,04 | 14,00 | NA | NA | NA | NA | NA | NA | NA | NA | NA | NA |
| 05 | 7,92 | 11,06 +/-0,04 | 15,50 | 21,0 | 12,5 | 27,5 | 24,0 | 15,5 | 27,95 | 24,3 | 17,2 | 28,2 | 28,2 |
| 06 | 9,53 | 12,66 +/-0,04 | 17,10 | 21,0 | 12,5 | 27,5 | 24,0 | 15,5 | 27,95 | 24,3 | 17,2 | 28,2 | 28,2 |
| 07 | 11,10 | 14,21 +/-0,07 | 18,70 | 21,0 | 12,5 | 27,5 | 24,0 | 15,5 | 27,95 | 24,3 | 17,2 | 28,2 | 28,2 |
| 08 | 12,70 | 15,81 +/-0,07 | 20,30 | 24,5 | 13,1 | 28,0 | 27,0 | 17,0 | 29,45 | 28,3 | 19,4 | 29,7 | 29,7 |
| 10 | 15,88 | 18,96 +/-0,08 | 23,50 | 29,0 | 13,5 | 29,0 | 31,0 | 19,5 | 31,00 | 31,1 | 21,0 | 31,2 | 31,2 |
| 12 | 19,05 | 22,14 +/-0,08 | 26,70 | 32,5 | 14,5 | 29,7 | 34,0 | 21,0 | 32,70 | 34,2 | 22,8 | 32,9 | 32,9 |
| 14 | 22,23 | 25,30 +/-0,08 | 29,80 | 35,5 | 15,5 | 30,5 | 35,0 | 20,0 | 34,25 | 38,5 | 25,3 | 34,5 | 34,5 |
| 16 | 25,40 | 28,48 +/-0,08 | 33,00 | 37,0 | 16,1 | 30,9 | 38,0 | 21,5 | 35,80 | 40,7 | 26,1 | 36,1 | 36,1 |
| 18 | 28,58 | 31,65 +/-0,08 | 36,20 | 40,0 | 16,5 | 31,1 | 42,0 | 24,0 | 37,40 | 43,7 | 27,6 | 37,6 | 37,6 |
| 20 | 31,75 | 34,83 +/-0,08 | 39,40 | 43,5 | 17,0 | 32,1 | 45,0 | 25,5 | 38,90 | 46,4 | 29,1 | 39,1 | 39,1 |
| 22 | 34,93 | 37,98 +/-0,08 | 42,50 | 48,5 | 18,5 | 35,3 | 54,5 | 31,0 | 42,00 | 50,0 | 31,0 | 42,0 | 42,0 |
| 24 | 38,10 | 41,15 +/-0,08 | 45,70 | 52,1 | 21,9 | 38,1 | 58,0 | 33,0 | 46,00 | 53,5 | 33,0 | 46,0 | 46,0 |

TABLE 3

| MFR CODE | CONNECTOR MANUFACTURER (MS 3100, MS 3101 & MS 3106) |
|----------|---|
| A | AMPHENOL - CLASS A |
| B | BENDIX - CLASS A, E & R |
| C | CANNON - CLASS A, E & R |
| D | MFR UNKNOWN, CLASS A, E & R |
| R | AMPHENOL - CLASS R |
| - | MFR CODE NOT REQUIRED |



If this document is printed it becomes uncontrolled. Check for the latest revision

| DRAWN | K.WINCZURA | DATE | 18/12/2014 | <p>3RD ANGLE PROJECTION NOT TO SCALE</p> | <p>TITLE:</p> <p>TINEL-LOCK BACKSHELL</p> | <p>Polamco</p> | | | | | | | | | | | | |
|---|---------------------------|------------|------------|--|---|------------------------------|---------------------|-------------|------|----------|---|---------------------------|------------|---------|---|---------------------------|------------|---------|
| CHECKED | | DATE | 18/12/2014 | | | | | | | | | | | | | | | |
| APPROVED | K.SHEPPARD | DATE | 19/12/2014 | | | | | | | | | | | | | | | |
| APPROVED | H.SMITH | DATE | 07/07/2015 | | | | | | | | | | | | | | | |
| <p>UNLESS OTHERWISE SPECIFIED ALL DIMENSIONS IN MILLIMETRES GENERAL TOL LINEAR +/-0,25MM ANGULAR +/- 1°</p> | | | | | <p>ASSY USED ON:</p> <p>MIL-DTL-5015D</p> | <p>TE connectivity</p> | | | | | | | | | | | | |
| <p>REVISIONS</p> <table border="1"> <thead> <tr> <th>LTR</th> <th>DESCRIPTION</th> <th>DATE</th> <th>APPROVED</th> </tr> </thead> <tbody> <tr> <td>J</td> <td>REVISED PER ECO-15-002435</td> <td>18/02/2015</td> <td>H.SMITH</td> </tr> <tr> <td>K</td> <td>REVISED PER ECO-15-009990</td> <td>07/07/2015</td> <td>H.SMITH</td> </tr> </tbody> </table> | | | | | | | LTR | DESCRIPTION | DATE | APPROVED | J | REVISED PER ECO-15-002435 | 18/02/2015 | H.SMITH | K | REVISED PER ECO-15-009990 | 07/07/2015 | H.SMITH |
| LTR | DESCRIPTION | DATE | APPROVED | | | | | | | | | | | | | | | |
| J | REVISED PER ECO-15-002435 | 18/02/2015 | H.SMITH | | | | | | | | | | | | | | | |
| K | REVISED PER ECO-15-009990 | 07/07/2015 | H.SMITH | | | | | | | | | | | | | | | |
| <p>TE CAGE CODE: 06090 POLAMCO/TE CAGE CODE: U5792</p> | | | | | | | | | | | | | | | | | | |
| <p>TE CONNECTIVITY - POLAMCO LTD RESERVES THE RIGHT TO AMEND THIS DRAWING AND THE INFORMATION SET FORTH HEREON AT ANY TIME. USERS SHOULD INDEPENDENTLY EVALUATE THE SUITABILITY OF THE PRODUCT FOR THEIR APPLICATION.</p> | | | | | <p>DRAWING NO:</p> <p>TXR18</p> | <p>DRAWING REV:</p> <p>K</p> | <p>SHT</p> <p>3</p> | | | | | | | | | | | |