

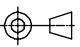


CODE 15 - TINEL-LOCK BACKSHELL

TXR15AB00-1608AI-

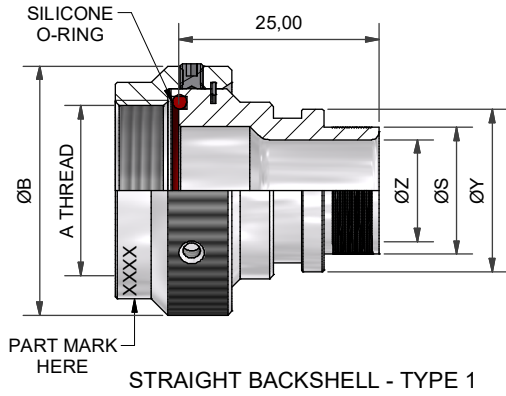
SERIES _____
 TXR: RING INCLUDED
 (SEE RING OPTION)
 TX: RING NOT INCLUDED
 CONNECTOR INTERFACE _____
 MATERIAL _____
 REFER TO CH00-0250-008
 FINISH _____
 REFER TO CH00-0250-008
 ANGLE _____
 DASH NUMBER (TABLE 1) _____
 ENTRY SIZE (TABLE 2) _____
 RING OPTION _____
 AI - TO SUIT SINGLE BRAID
 BI - TO SUIT DOUBLE BRAID
 FOR TX, LEAVE BLANK
 MODIFICATION CODE _____
 REFER TO CH00-0250-008 (2)

NOTES:

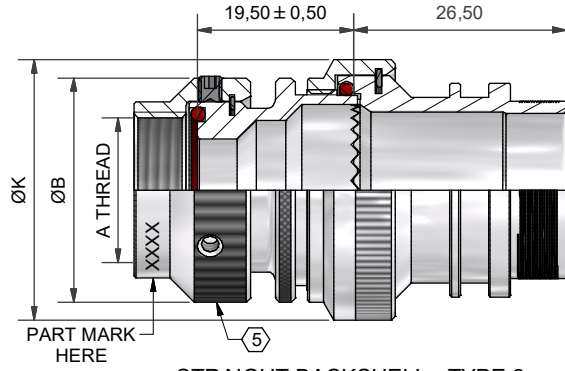
- THIS PRODUCT IS DESIGNED TO TERMINATE A BRAIDED CABLE SHIELD AND A HEAT SHRINKABLE LIPPED BOOT TO A CONNECTOR.
- FOR ADDITIONAL DIMENSIONS, ORDERING INFORMATION AND MODIFICATIONS, SEE CH00-0250-008.
- SEE DRAWING TR FOR DETAIL ON TINEL-LOCK RING, RINGS ARE DESIGNED TO BE HEATED ELECTRICALLY, ALL RINGS ARE MARKED WITH THERMOCHROMIC PAINT WHICH CHANGES COLOUR WHEN INSTALLATION TEMPERATURE IS REACHED.
- BACKSHELL TO BE PERMANENTLY MARKED/BAGGED AND LABELLED WITH CODE IDENTIFICATION NUMBER AND PART NUMBER LESS RING DESIGNATOR. (e.g. 06090-TXR15AB00-1206). RING SHALL BEAR NO MARKING.
- IF MAX ENTRY IS EXCEEDED, A 2 PIECE BACKSHELL ASSEMBLY (TYPE 2) IS SUPPLIED.
- BACKSHELL MATES TO MIL-C-5015, SOLDER CONTACT, MS3100, MS3101, MS3106, MS3107 AND MS3108 WITH ENDBELL.
- ANTI-ROTATIONAL SET SCREW, THREE THREADED HOLES $120^\circ \pm 5^\circ$ APART, SINGLE MATING SET SCREW SUPPLIED.

DRAWN	K.WINCZURA	DATE	04/12/2014	 3RD ANGLE PROJECTION NOT TO SCALE UNLESS OTHERWISE SPECIFIED ALL DIMENSIONS IN MILLIMETRES GENERAL TOL LINEAR +/-0.25MM ANGULAR +/- 1°	TITLE: TINEL-LOCK BACKSHELL	 Polamco 		
CHECKED		04/12/2014	ASSY USED ON: MIL-C-5015 MS "V" THREAD END BELLS					
APPROVED	K.SHEPPARD	11/12/2014						
APPROVED	H.SMITH	07/07/2015						
REVISIONS								
LTR	DESCRIPTION	DATE	APPROVED					
E	REVISED PER ECO-15-009981	07/07/2015	H.SMITH					
F	REVISED PER ECO-18-002419	03/04/2018	D.JONES					
TE CAGE CODE: 06090 POLAMCO/TE CAGE CODE: U5792					TE CONNECTIVITY - POLAMCO LTD RESERVES THE RIGHT TO AMEND THIS DRAWING AND THE INFORMATION SET FORTH HEREON AT ANY TIME. USERS SHOULD INDEPENDENTLY EVALUATE THE SUITABILITY OF THE PRODUCT FOR THEIR APPLICATION.	DRAWING NO: TXR15	DRAWING REV: F	SHT 1

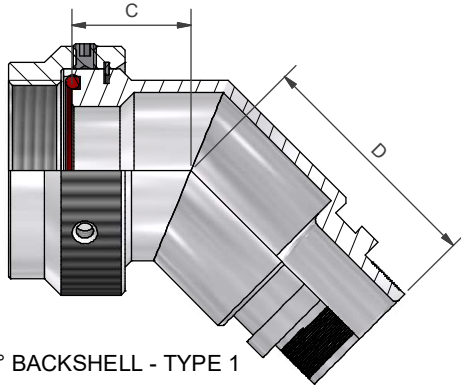
IF MAX ENTRY IS EXCEEDED BACKSHELL WILL BE SUPPLIED AS TYPE 2



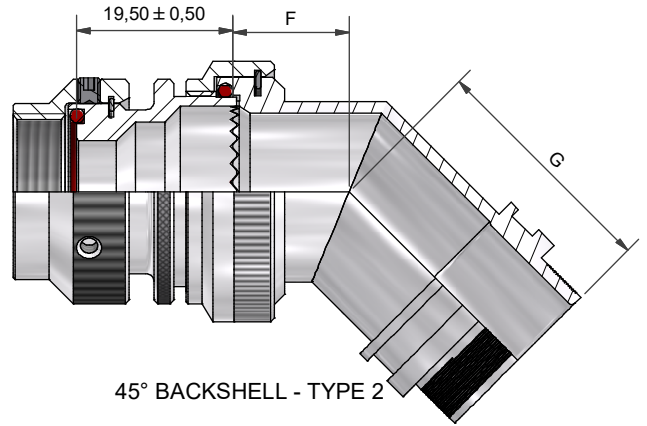
STRAIGHT BACKSHELL - TYPE 1



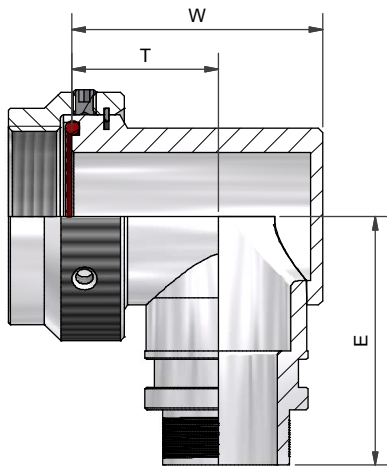
STRAIGHT BACKSHELL - TYPE 2



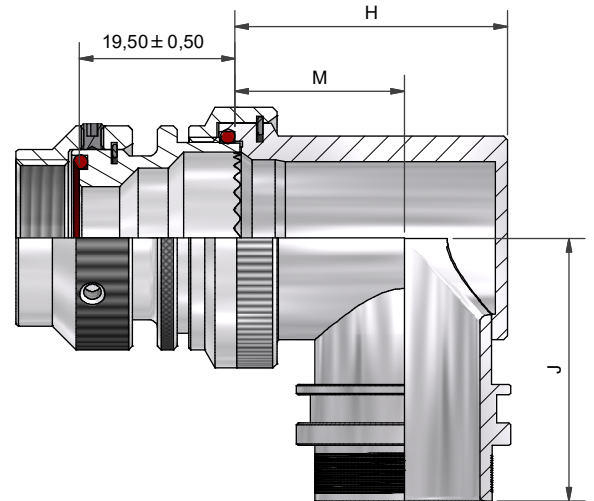
45° BACKSHELL - TYPE 1



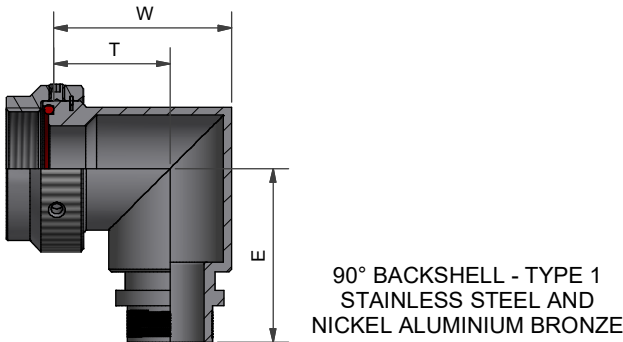
45° BACKSHELL - TYPE 2



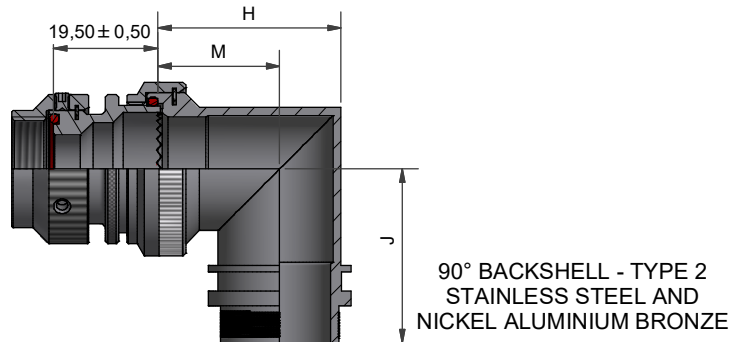
90° BACKSHELL - TYPE 1



90° BACKSHELL - TYPE 2



90° BACKSHELL - TYPE 1
STAINLESS STEEL AND
NICKEL ALUMINIUM BRONZE



90° BACKSHELL - TYPE 2
STAINLESS STEEL AND
NICKEL ALUMINIUM BRONZE

DRAWN	K.WINCZURA	DATE	04/12/2014
CHECKED		DATE	04/12/2014
APPROVED	K.SHEPPARD	DATE	11/12/2014
APPROVED	H.SMITH	DATE	07/07/2015
REVISIONS			
LTR	DESCRIPTION	DATE	APPROVED
E	REVISED PER ECO-15-009981	07/07/2015	H.SMITH
F	REVISED PER ECO-18-002419	03/04/2018	D.JONES

3RD ANGLE PROJECTION NOT TO SCALE
UNLESS OTHERWISE SPECIFIED ALL DIMENSIONS IN MILLIMETRES
GENERAL TOL
LINEAR +/-0.25MM
ANGULAR +/- 1°

TITLE:
TINEL-LOCK BACKSHELL

ASSY USED ON:
MIL-C-5015 MS "V" THREAD END BELLS



TE CAGE CODE: 06090
POLAMCO/TE CAGE CODE: U5792

TE CONNECTIVITY - POLAMCO LTD RESERVES THE RIGHT TO AMEND THIS DRAWING AND THE INFORMATION SET FORTH HEREON AT ANY TIME. USERS SHOULD INDEPENDENTLY EVALUATE THE SUITABILITY OF THE PRODUCT FOR THEIR APPLICATION.

DRAWING NO:	DRAWING REV:	SHT
TXR15	F	2

THESE DIMENSIONS APPLY IF
BACKSHELL IS STAINLESS STEEL
OR NICKEL ALUMINIUM BRONZE

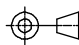
TABLE 1

ORDER NUMBER	SHELL SIZE	A THREAD	ØB MAX	MAX ENTRY	C ±0,5	D ±0,5	W ±0,5	T ±0,5	E MAX	W MAX	T ±0,5	E MAX
03	8S & 10S	1/2-28UNEF	21,5	05	12,6	27,5	21,7	13,5	28,5	22,2	15,0	28,5
04	10SL, 12 & 12S	5/8-24UNEF	25,0	07	14,0	28,0	24,9	15,9	30,0	25,4	16,5	30,0
06	14 & 14S	3/4-20UNEF	28,0	08	15,0	29,0	27,9	17,9	31,5	28,4	17,9	31,5
08	16 & 16S	7/8-20UNEF	31,1	10	15,6	29,7	31,3	19,3	33,2	31,8	20,1	33,2
10	18	1-20UNEF	35,0	12	16,3	30,5	34,3	21,3	34,8	34,8	21,3	34,8
12	20 & 22	1 3/16-18UNEF	39,0	16	17,2	30,9	40,4	22,9	36,3	40,9	22,9	36,3
16	24 & 28	1 7/16-18UNEF	45,2	20	17,9	32,1	46,5	27,0	39,4	44,5	27,0	39,4
20	32	1 3/4-18UNS	54,9	24	24,3	32,1	53,3	30,7	43,3	50,8	32,0	43,3
24	36	2-18UNS	62,0	24	26,9	29,3	57,8	32,8	47,3	58,3	34,8	47,3
28	40	2 1/4-16UN	68,6	24	31,8	30,7	64,4	36,5	51,5	64,9	38,9	51,5

THESE DIMENSIONS APPLY IF
BACKSHELL IS STAINLESS STEEL
OR NICKEL ALUMINIUM BRONZE

TABLE 2

ENTRY SIZE	ØZ MIN	ØS	ØY ±0,3	ØK MAX	F ±0,5	G ±0,5	H ±0,5	M ±0,5	J ±0,5	H ±0,5	M ±0,5	J ±0,5
04	6,35	9,49 +/-0,04	14,00	NA	NA	NA	NA	NA	NA	NA	NA	NA
05	7,92	11,06 +/-0,04	15,50	NA	NA	NA	NA	NA	NA	NA	NA	NA
06	9,53	12,66 +/-0,04	17,10	21,0	12,5	27,5	24,0	15,5	27,95	24,3	17,2	28,2
07	11,10	14,21 +/-0,07	18,70	21,0	12,5	27,5	24,0	15,5	27,95	24,3	17,2	28,2
08	12,70	15,81 +/-0,07	20,30	24,5	13,1	28,0	27,0	17,0	29,45	28,3	19,4	29,7
10	15,88	18,96 +/-0,08	23,50	29,0	13,5	29,0	31,0	19,5	31,00	31,1	21,0	31,2
12	19,05	22,14 +/-0,08	26,70	32,5	14,5	29,7	34,0	21,0	32,70	34,2	22,8	32,9
14	22,23	25,30 +/-0,08	29,80	35,5	15,5	30,5	35,0	20,0	34,25	38,5	25,3	34,5
16	25,40	28,48 +/-0,08	33,00	37,0	16,1	30,9	38,0	21,5	35,80	40,7	26,1	36,1
18	28,58	31,65 +/-0,08	36,20	40,0	16,5	31,1	42,0	24,0	37,40	43,7	27,6	37,6
20	31,75	34,83 +/-0,08	39,40	43,5	17,0	32,1	45,0	25,5	38,90	46,4	29,1	39,1
22	34,93	37,98 +/-0,08	42,50	48,5	18,5	35,3	54,5	31,0	42,00	50,0	31,0	42,0
24	38,10	41,15 +/-0,08	45,70	52,1	21,9	38,1	58,0	33,0	46,00	53,5	33,0	46,0

DRAWN	K.WINCZURA	DATE	04/12/2014	 3RD ANGLE PROJECTION NOT TO SCALE
CHECKED		DATE	04/12/2014	
APPROVED	K.SHEPPARD	DATE	11/12/2014	
APPROVED	H.SMITH	DATE	07/07/2015	
UNLESS OTHERWISE SPECIFIED ALL DIMENSIONS IN MILLIMETRES GENERAL TOL LINEAR +/-0,25MM ANGULAR +/- 1°				
REVISIONS				
LTR	DESCRIPTION	DATE	APPROVED	
E	REVISED PER ECO-15-009981	07/07/2015	H.SMITH	
F	REVISED PER ECO-18-002419	03/04/2018	D.JONES	

TITLE:

TINEL-LOCK BACKSHELL

ASSY USED ON:

MIL-C-5015 MS "V" THREAD END BELLS

