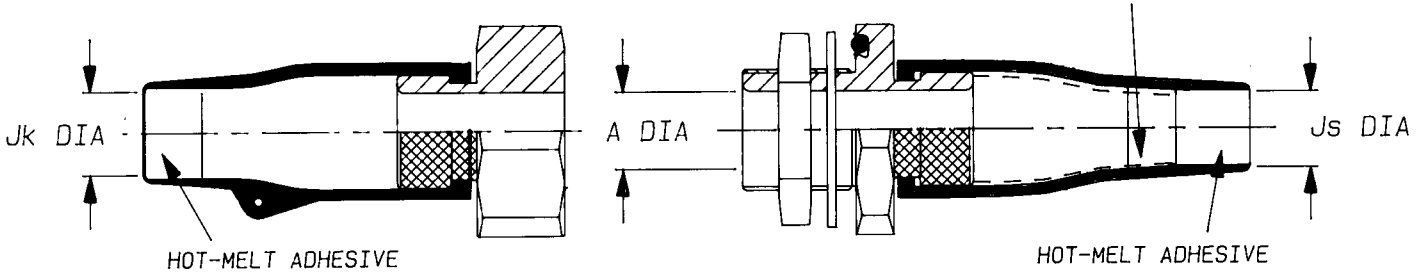


TCFR-**-***-1**-100CH

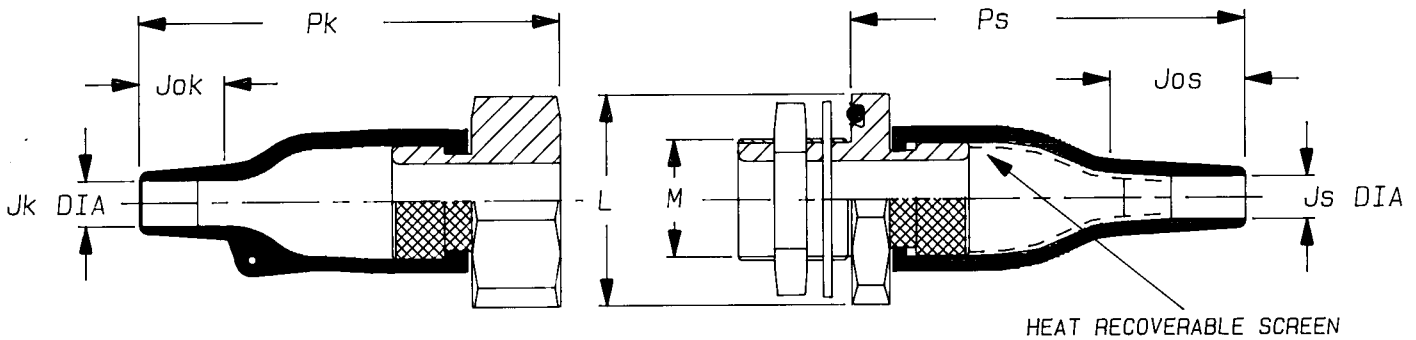
See over for Part Numbering System

CONDUCTIVE HOT-MELT ADHESIVE

a) Part as supplied.



b) Part after unrestricted recovery.



KITS TO INCLUDE CLEANING TISSUE, 1 PIECE 100 GRIT EMERY CLOTH & 1 PIECE OF ATUM.
KIT TO BE USED IN CONJUNCTION WITH TCFS INSTALLATION PROCEDURE.

Dimensions (in millimetres)

PART No.	A	Jk		Js		M	A/F	L	Pk	Ps	Jok	Jos
	min	min	max	min	max	THREAD	Nut	MAX	±10%	±10%	Ref	Ref
		a	b	a	b				b	b	b	b
TCFR-12	7.4	11	5.7	7.0	5.0	M12 x 1.5	17	24	49	50	9	15
TCFR-16	10.1	15	6.0	9.0	6.0	M16 x 1.5	22	29	56	52	12	17
TCFR-20	14.1	19	7.2	11.0	7.2	M20 x 1.5	27	34	60	60	17	20
TCFR-24	19.1	23	8.5	17.0	8.5	M24 x 1.5	30	38	73	74	20	25
TCFR-30	24.1	29	10.0	21.0	10.0	M30 x 1.5	36	47	72	85	21	30
TCFR-36	30.1	35	15.8	29.0	15.8	M36 x 1.5	41	52	103	95	39	30
TCFR-48	40.1	45	16.9	36.0	16.8	M48 x 1.5	55	67	143	112	51	38

Copyright (!)
Urheberrechte

The copyright in this drawing is the property of Raychem Ltd. The drawing is issued on condition that it is not copied, reproduced or disclosed to a third party, either in whole or in part without the prior written consent of Raychem Ltd.

Drawn D.MURRAY Checked *[Signature]* Issue 4 Date May 1996

Conforms to ISO Recommendations
3rd Angle Projection
Not to Scale

Approval
Design

AA.PS.

MKTG.

[Signature]

Q.A.

[Signature]



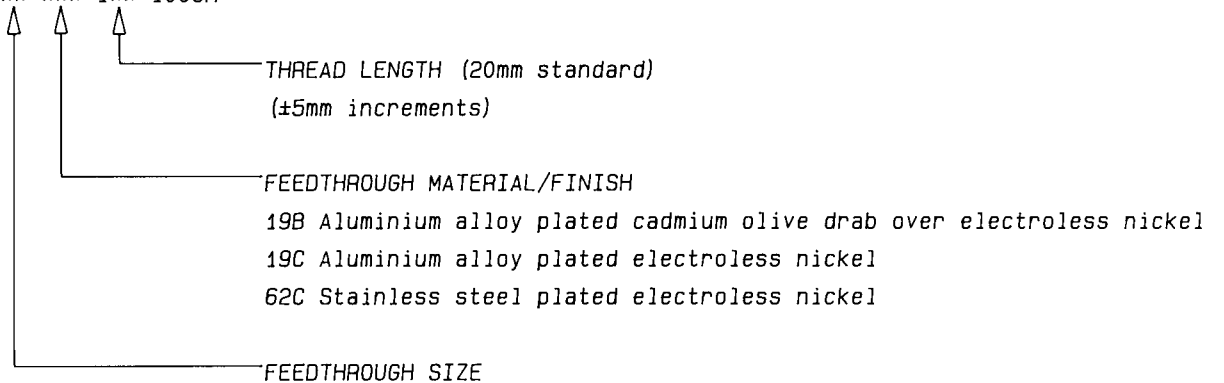
Iss.	Date	E.C.R. No.	Details of Change
2	August 1991	H0044	L was %
3	November 1992	H0125	S/S 30 L WAS 48
4	May 1996	H0295	S/S 12 PK WAS 39

Material

(-100) ZERO HALOGEN

Part Numbering System.

TCFR-**-***-1**-100CH



Raychem
 Thermofit Division, Europe,
 Swindon, Wiltshire, England.
 Telephone: (0793) 528171 Fax: 573923