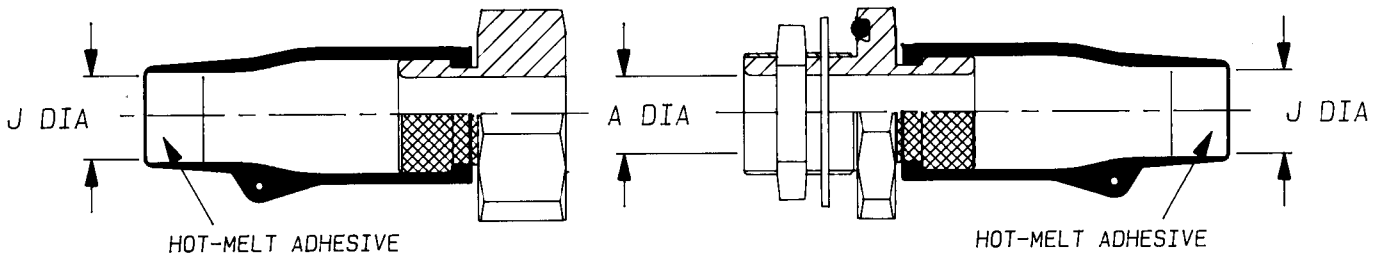


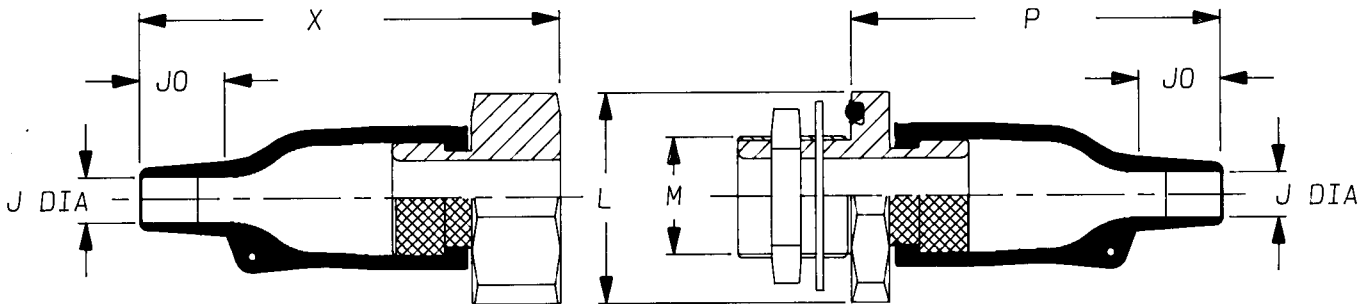
## TCFR-\*\*-\*\*\*-1\*\*-100AH

See over for Part Numbering System

a) Part as supplied.



b) Part after unrestricted recovery.



KITS TO INCLUDE CLEANING TISSUE, 1 PIECE 100 GRIT EMERY CLOTH.

KIT TO BE USED IN CONJUNCTION WITH TCFS INSTALLATION PROCEDURE.

Dimensions (in millimetres)

PART No.	A	J		M THREAD	A/F Nut	L NOM	X ±10% b	P ±10% b	JO Ref b
	min	min a	max b						
TCFR-12	7.4	11	5.7	M12 x 1.5	17	24	49	43	9
TCFR-16	10.1	15	6.0	M16 x 1.5	22	29	56	48	12
TCFR-20	14.1	19	7.2	M20 x 1.5	27	34	60	52	17
TCFR-24	19.1	23	8.5	M24 x 1.5	30	38	73	65	20
TCFR-30	24.1	29	10.0	M30 x 1.5	36	47	72	64	21
TCFR-36	30.1	35	15.8	M36 x 1.5	41	52	103	95	39
TCFR-48	40.1	45	16.9	M48 x 1.5	55	67	143	135	52

Copyright (!)  
Urheberrechte

The copyright in this drawing is the property of Raychem Ltd. The drawing is issued on condition that it is not copied, reproduced or disclosed to a third party, either in whole or in part without the prior written consent of Raychem Ltd.

Drawn D.MURRAY Checked *DL* Issue 3 Date May 1996

Conforms to ISO Recommendations  
3rd Angle Projection  
Not to Scale

Approval  
Design

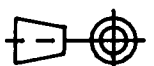
*AAPS*

MKTG.

*h*

Q.A.

*h*



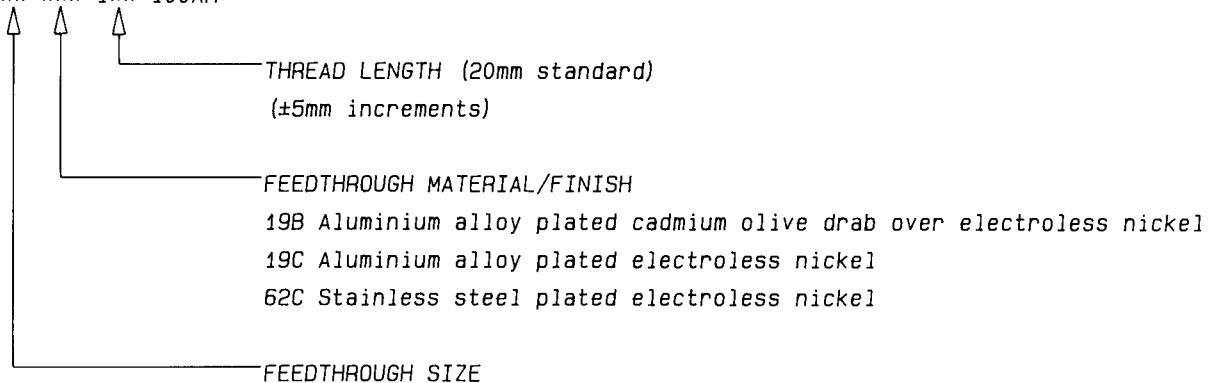
Iss.	Date	E.C.R. No.	Details of Change
2	November 1992	H0125	S/S 30 L WAS 48
3	May 1996	H0295	S/2 12 P WAS 31, X WAS 37

Material

(-100) ZERO HALOGEN

Part Numbering System.

TCFR-\*\*-\*\*\*-1\*\*-100AH



Raychem  
Thermofit Division, Europe,  
Swindon, Wiltshire, England.  
Telephone: (0793) 528171 Fax: 573923