

THIS DRAWING IS UNPUBLISHED. RELEASED FOR PUBLICATION 20
 © COPYRIGHT 20 BY - ALL RIGHTS RESERVED.

REVISIONS					
P	LTR	DESCRIPTION	DATE	DWN	APVD
A2		ECR-16-010931	02AUG2016	L.Z	X.X
B		ECR-19-009136	30JUL2019	C.D	C.W
B1		ECR-19-019842	23DEC2019	G.W	C.W

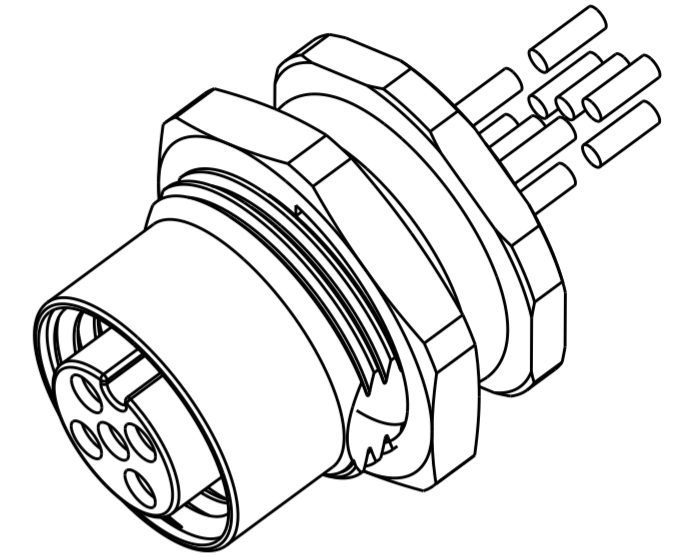
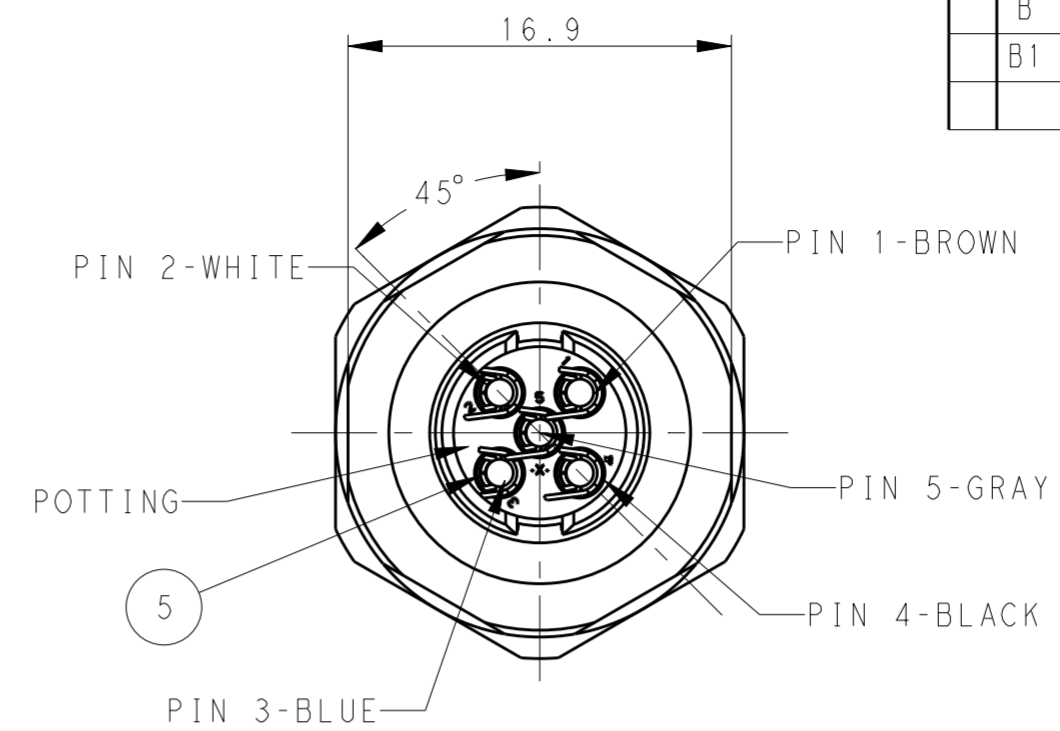
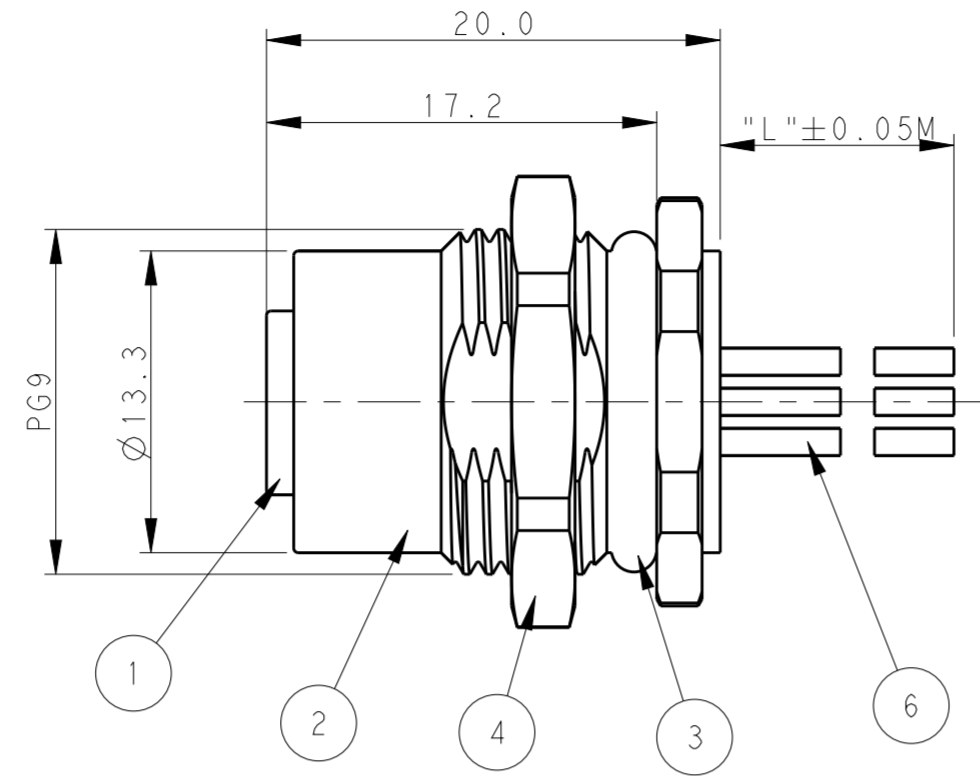
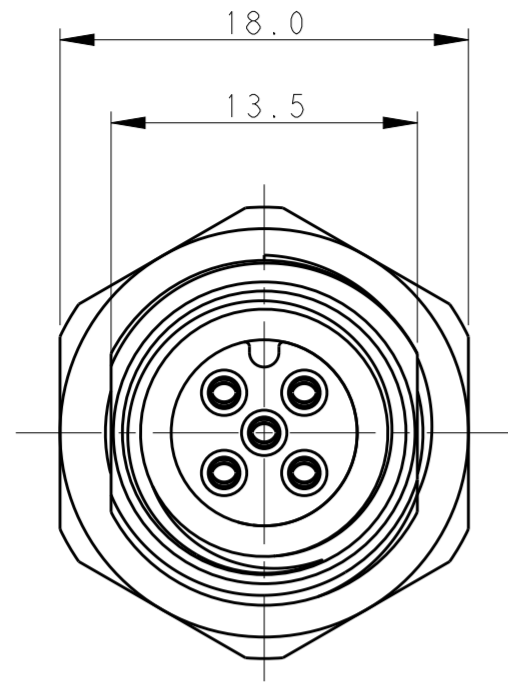


TABLE 1

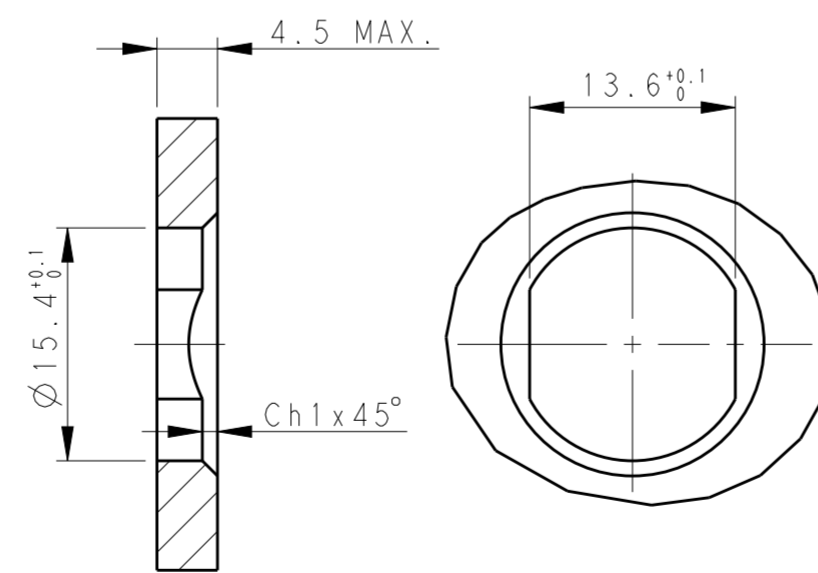
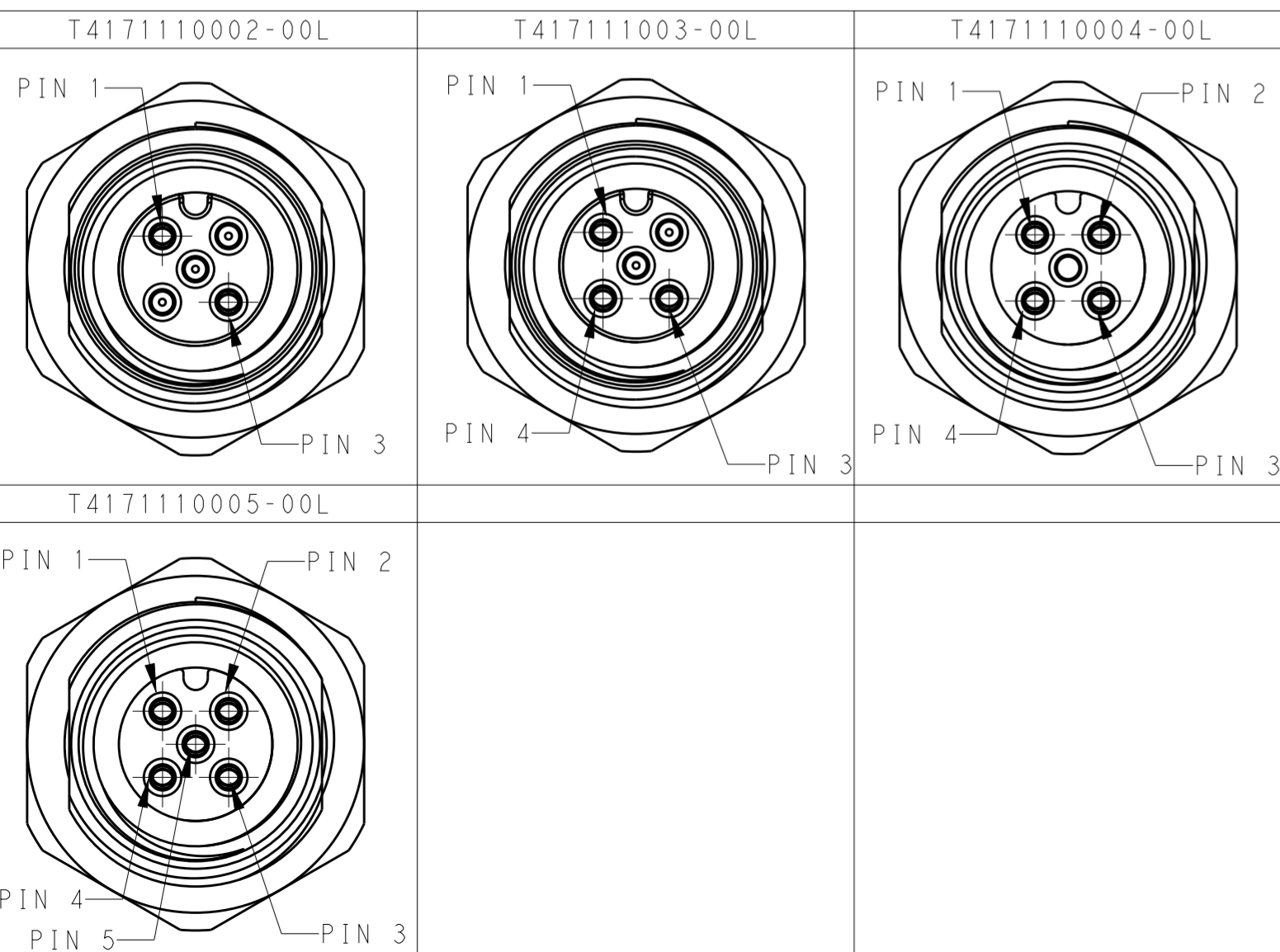
TECHNICAL DATA	T4171110002-00L	T4171110003-00L	T4171110004-00L	T4171110005-00L
RATED VOLTAGE	250V	250V	250V	60V
RATED CURRENT	4A	4A	4A	4A
POLLUTION DEGREE	3	3	3	3
OVERVOLTAGE CATEGORY	II	II	II	II
MATERIAL GROUP	II	II	II	II
CONTACT RESISTANCE	<=10mΩ	<=10mΩ	<=10mΩ	<=10mΩ
INSULATION RESISTANCE	>100MΩ	>100MΩ	>100MΩ	>100MΩ
DEGREE OF PROTECTION	IP67	IP67	IP67	IP67
OPERATION TEMPERATURE	-40~85°C	-40~85°C	-40~85°C	-40~85°C

NOTE:
 1. TECHNICAL DATA: SEE TABLE 1
 2. PRODUCT COMPLIES WITH IEC61076-2-101
 3. RECOMMENDED MOUNT PANEL SEE DETAIL
 4. CABLE LENGTH SEE TABLE 2

注释:
 1: 技术参数, 见表1
 2: 产品符合标准 IEC61076-2-101
 3: 推荐开孔尺寸详见如图所示
 4: 线长度见表2

CABLE CHARACTERISTIC	CABLE LENGTH "L"	DESCRIPTION	POS	TABLE 2 PN
WIRES: 0.34MM^2(22AWG) WIRE PN AND COLOR: (BR)/2(WH)/3(BL)/4(BK)/5(GR)	-001:0.2M -002:0.5M -003:1.0M -004:1.5M -005:3.0M -006:5.0M -007:7.0M -008:10.0M	RPC-M12-FF-5CON-PG9-**LAU	5	T4171110005-00L
		RPC-M12-FF-4CON-PG9-**LAU	4	T4171110004-00L
		RPC-M12-FF-3CON-PG9-**LAU	3	T4171110003-00L
		RPC-M12-FF-2CON-PG9-**LAU	2	T4171110002-00L

PIN ARRANGEMENT A-CODE



RECOMMENDED PANEL CUTOUT

COMMENT	MATERIAL	DESCRIPTION	ITEM
-	-	CABLE	6 2 3 4 5
FLASH GOLD	COPPER ALLOY	CONTACT	5 2 3 4 5
-	COPPER ALLOY	METAL NUT	4 1 1 1 1
BLACK	RUBBER	O-RING	3 1 1 1 1
-	COPPER ALLOY	M12, MALE, METAL BODY	2 1 1 1 1
BLACK	NYLON	M12, MALE HSG, A CODE, 5PINS	1 1 1 1 1

THIS DRAWING IS A CONTROLLED DOCUMENT.

DWN: BO GAO 30MAR2016
 CHK: KOBBY ZHAO 30MAR2016
 APVD: XIANG XU 30MAR2016

TE Connectivity

NAME: M12 PANEL MOUNT CONNECTOR A CODE, FEMALE, REAR MOUNTING

SIZE: A2 CAGE CODE: - DRAWING NO: T417111000X00L RESTRICTED TO: -

SCALE: 3:1 SHEET 1 OF 1 REV: B1

PRODUCT SPEC: 108-106140
 APPLICATION SPEC: 114-137144
 WEIGHT: -
 CUSTOMER DRAWING