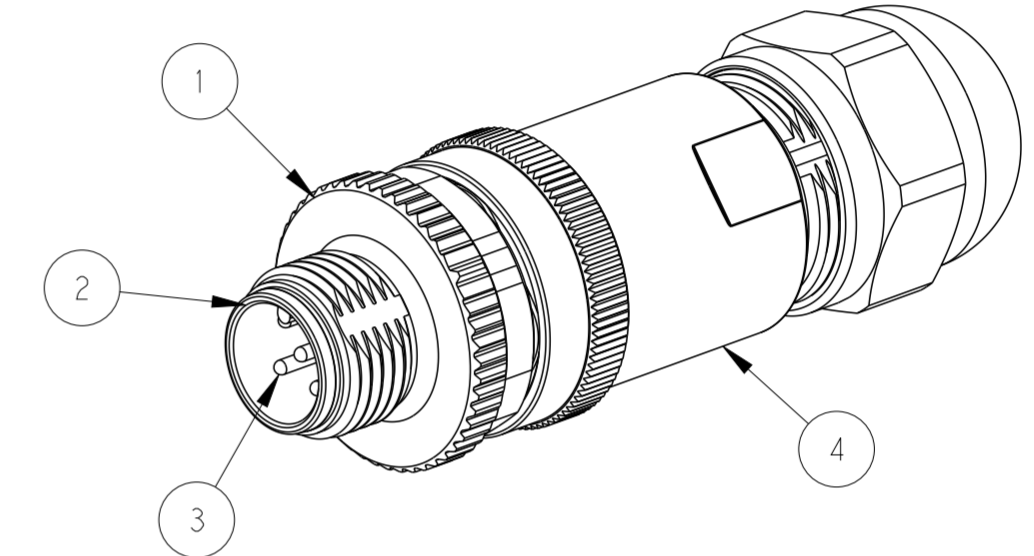
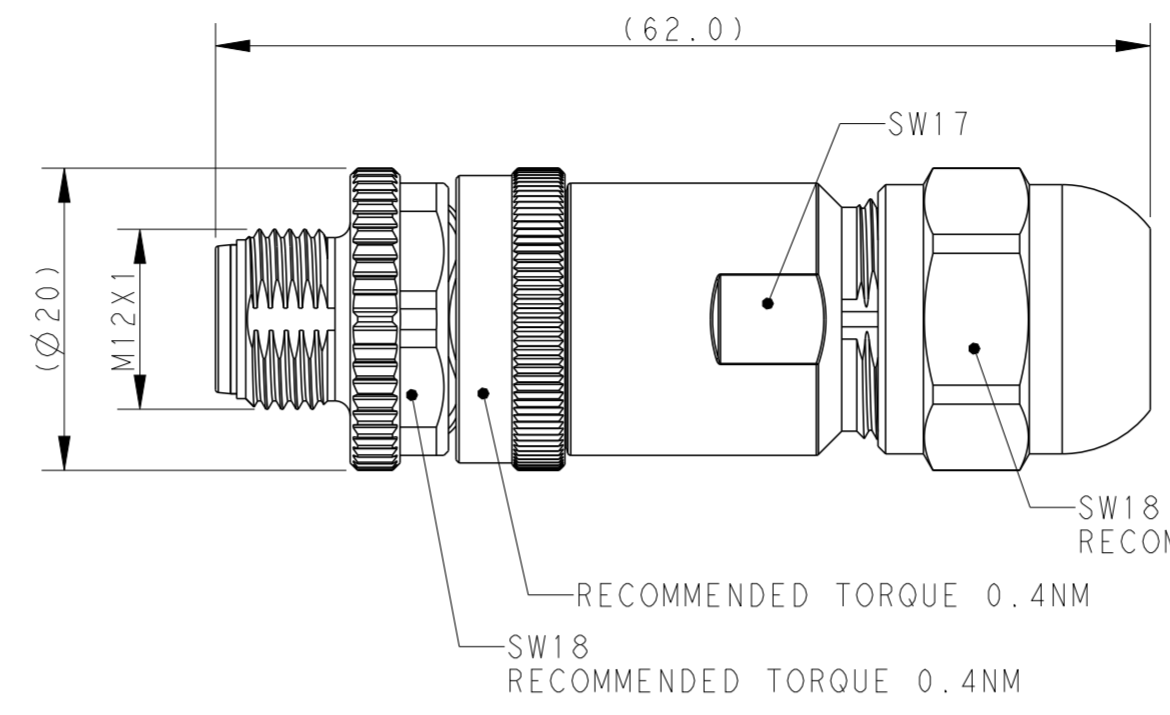
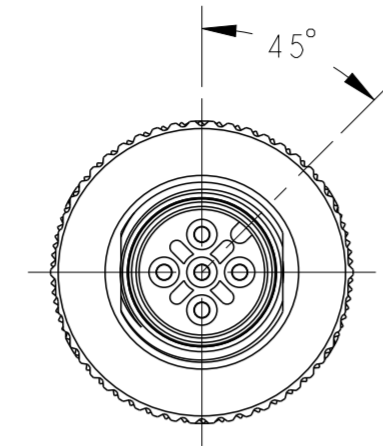


THIS DRAWING IS UNPUBLISHED. RELEASED FOR PUBLICATION 20  
 © COPYRIGHT 20 BY - ALL RIGHTS RESERVED.

REVISIONS					
P	LTR	DESCRIPTION	DATE	DWN	APVD
A1		ECR-16-013861	16OCT2016	N.P	X.X
A2		ECR-16-016026	14NOV2016	N.P	X.X
A3		ECR-19-006141	02JUL2020	GW	CW
B		ECR-22-132011	26AUG2022	BP	CW

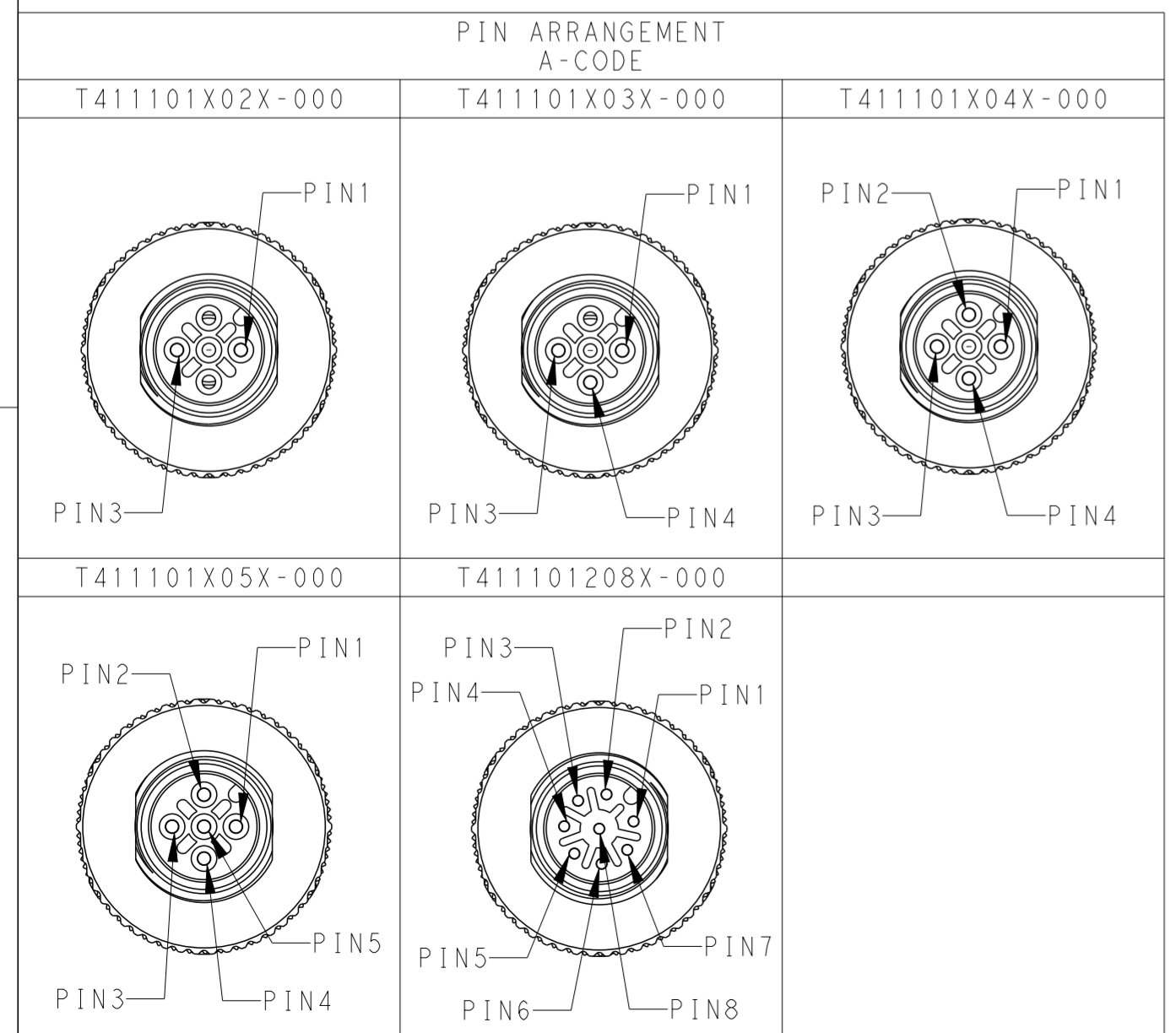


TECHNICAL DATA

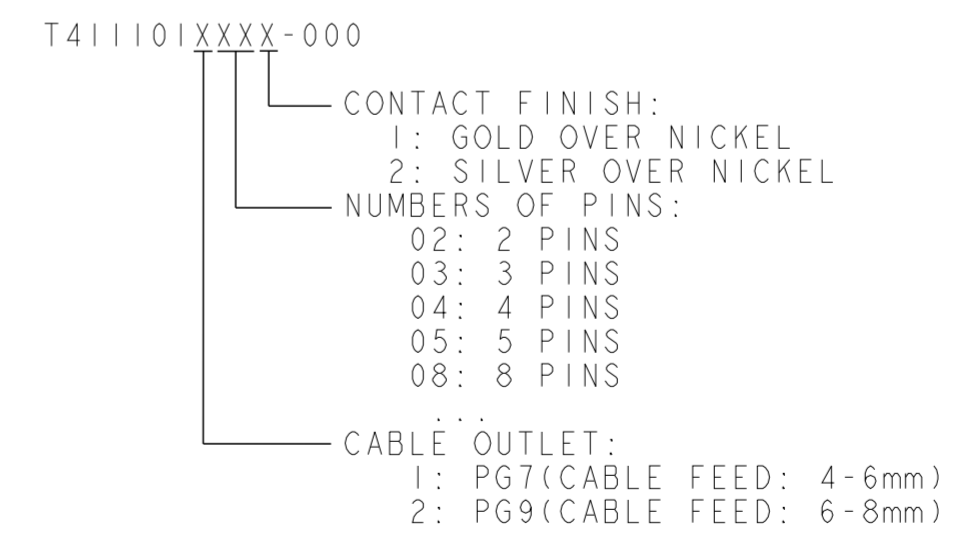
	T411101X02X-000	T411101X03X-000	T411101X04X-000	T411101X05X-000	T411101X08X-000
RATED VOLTAGE	250V	250V	250V	60V	30V
RATED CURRENT	4A	4A	4A	4A	2A
POLLUTION DEGREE	3	3	3	3	3
OVERVOLTAGE CATEGORY	II	II	II	II	II
MATERIAL GROUP	II	II	II	II	II
CONTACT RESISTANCE	≤10mΩ	≤10mΩ	≤10mΩ	≤10mΩ	≤10mΩ
INSULATION RESISTANCE	>100MΩ	>100MΩ	>100MΩ	>100MΩ	>100MΩ
DEGREE OF PROTECTION	IP67	IP67	IP67	IP67	IP67
OPERATION TEMPERATURE	-40~85°C	-40~85°C	-40~85°C	-40~85°C	-40~85°C

NOTE:

- MATERIAL:
  - ITEM NO.1: NUT - ZINC DIE-CAST, NICKEL PLATED
  - ITEM NO.2: HOUSING - PA
  - ITEM NO.3: CONTACT - BRONZE
  - ITEM NO.4: HOUSING BODY: - ZINC DIE-CAST, NICKEL PLATED
- CONTACT FINISH: GOLD OVER NICKEL OR SILVER OVER NICKEL
- CABLE WIRES:
  - FOR 2~5 PIN:
    - 24AWG/0.25mm<sup>2</sup>...18AWG/0.75mm<sup>2</sup> (WITHOUT FERRULE)
    - 26AWG/0.14mm<sup>2</sup>...20AWG/0.50mm<sup>2</sup> (WITH FERRULE)
  - FOR 8 PIN:
    - 24AWG/0.25mm<sup>2</sup>...20AWG/0.50mm<sup>2</sup> (WITHOUT FERRULE)
    - 26AWG/0.14mm<sup>2</sup>...22AWG/0.34mm<sup>2</sup> (WITH FERRULE)
- ALL DIMENSIONS ARE FOR NOMINAL REFERENCE ONLY UNLESS OTHERWISE STATED
- PACKAGING: 1 PIECE IN A BAG
- PN INFORMATION



T4111012081-000	RPC-M12-MS-8CON-PG9-SHU
T4111011081-000	RPC-M12-MS-8CON-PG7-SHU
T4111012082-000	RPC-M12-MS-8CON-PG9-SH
T4111011082-000	RPC-M12-MS-8CON-PG7-SH
T4111012051-000	RPC-M12-MS-5CON-PG9-SHU
T4111011051-000	RPC-M12-MS-5CON-PG7-SHU
T4111012052-000	RPC-M12-MS-5CON-PG9-SH
T4111011052-000	RPC-M12-MS-5CON-PG7-SH
T4111012041-000	RPC-M12-MS-4CON-PG9-SHU
T4111011041-000	RPC-M12-MS-4CON-PG7-SHU
T4111012042-000	RPC-M12-MS-4CON-PG9-SH
T4111011042-000	RPC-M12-MS-4CON-PG7-SH
T4111012031-000	RPC-M12-MS-3CON-PG9-SHU
T4111011031-000	RPC-M12-MS-3CON-PG7-SHU
T4111012032-000	RPC-M12-MS-3CON-PG9-SH
T4111011032-000	RPC-M12-MS-3CON-PG7-SH
T4111012021-000	RPC-M12-MS-2CON-PG9-SHU
T4111011021-000	RPC-M12-MS-2CON-PG7-SHU
T4111012022-000	RPC-M12-MS-2CON-PG9-SH
T4111011022-000	RPC-M12-MS-2CON-PG7-SH
TE PN	TYPE



THIS DRAWING IS A CONTROLLED DOCUMENT.		DWN Nick Pan 24AUG2015	TE Connectivity	
DIMENSIONS: mm		CHK Kobby Zhao 24AUG2015		
TOLERANCES UNLESS OTHERWISE SPECIFIED:		APVD Xiang Xu 24AUG2015	NAME M12 MALE, STRAIGHT SHIELDED CONNECTOR A CODE, SCREW TERMINAL	
		PRODUCT SPEC 108-106140	SIZE A2	
MATERIAL -		APPLICATION SPEC 114-137144	DRAWING NO. C-T411101XXXX000	
FINISH -		WEIGHT -	RESTRICTED TO	
		CUSTOMER DRAWING	SCALE 2:1 SHEET 1 OF 1 REV B	