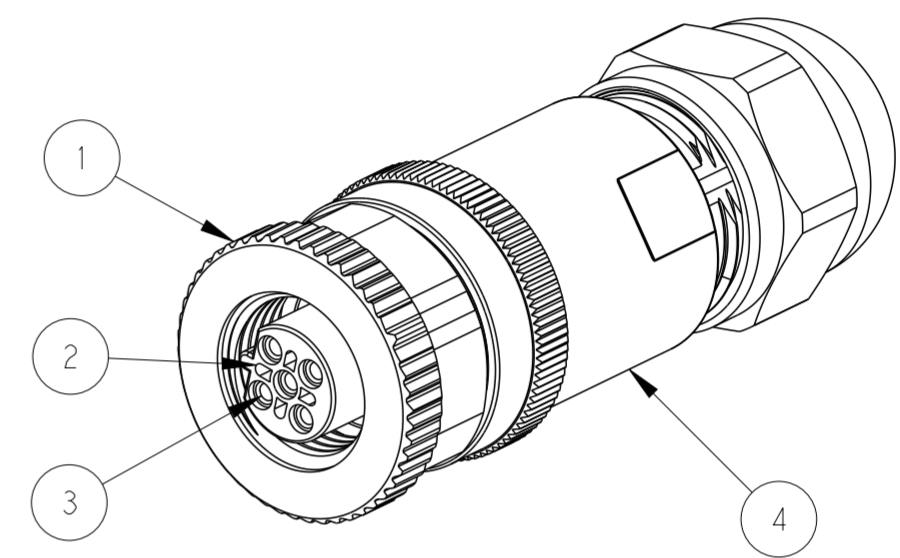
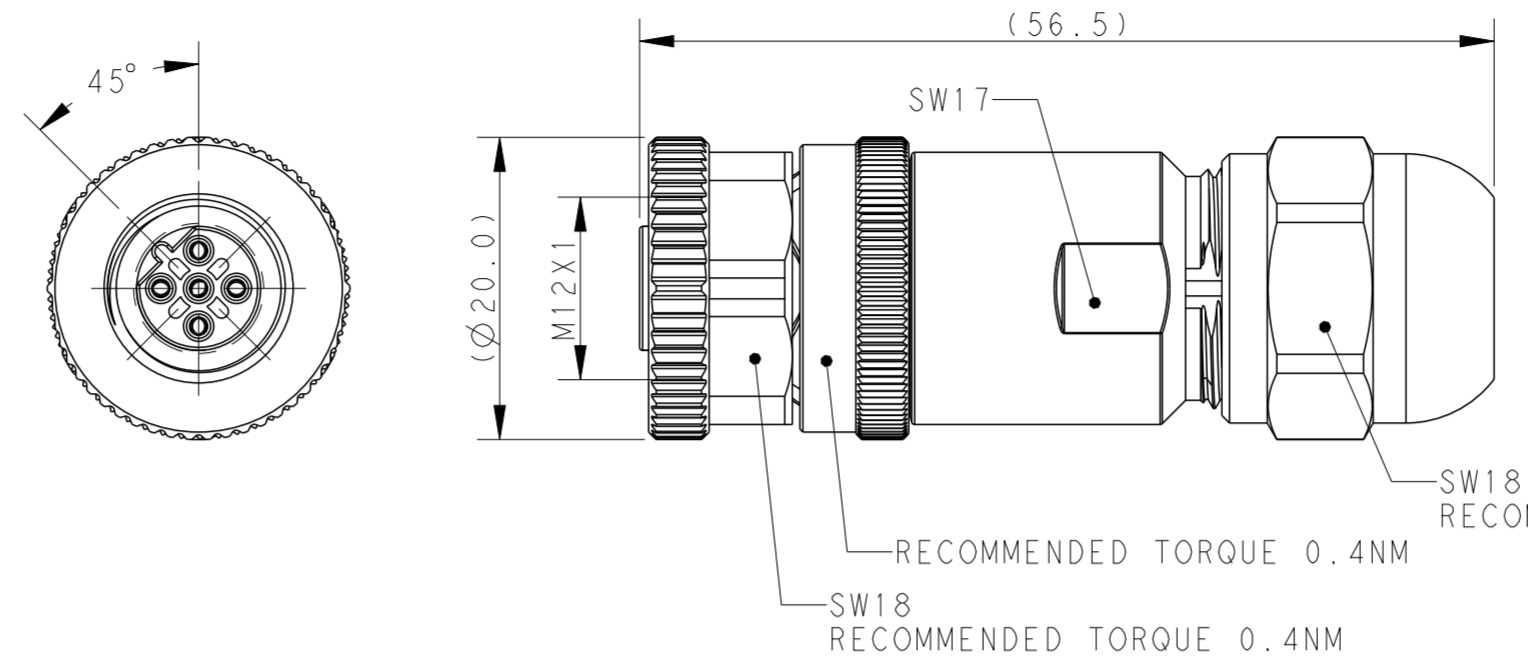


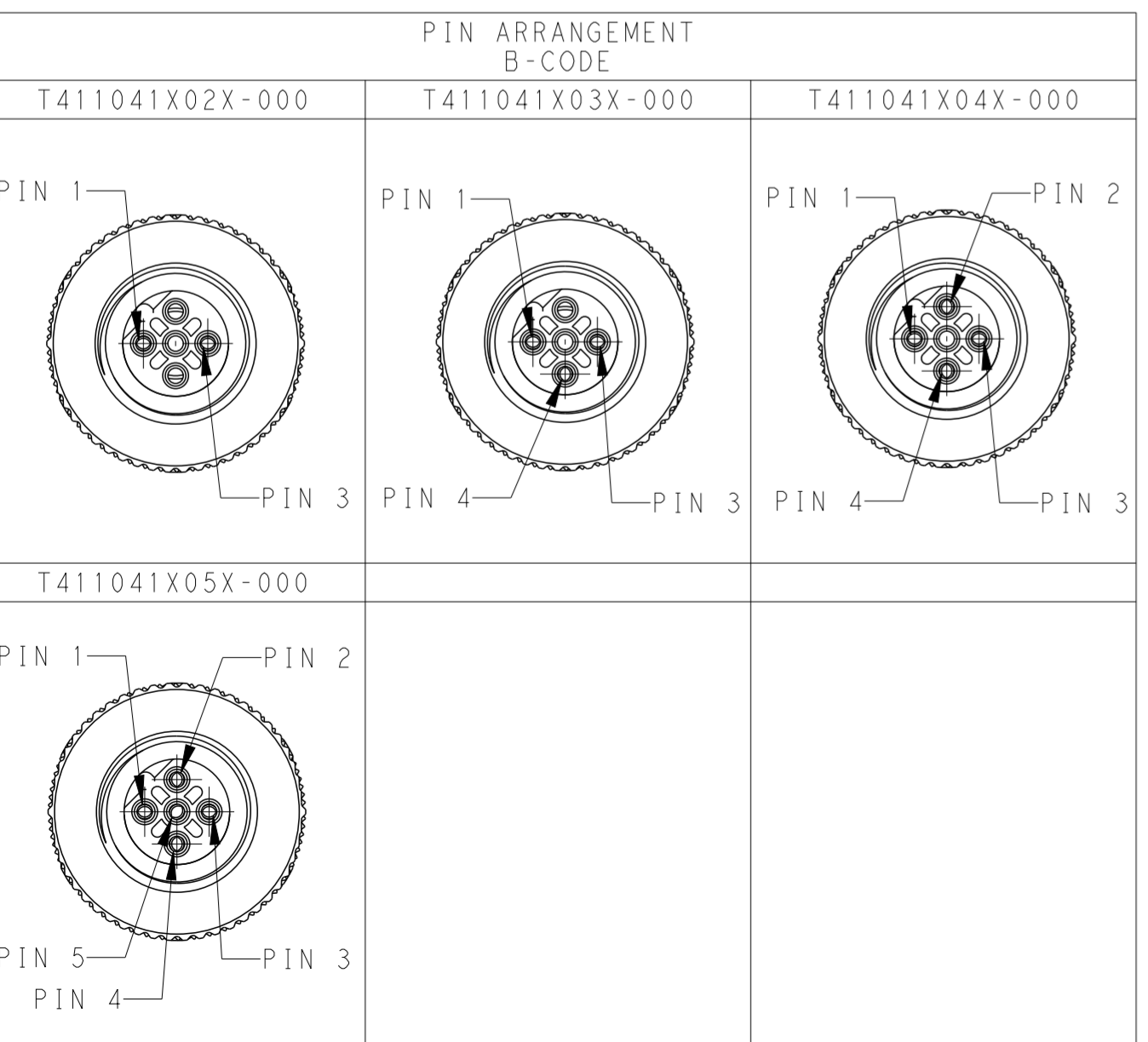
THIS DRAWING IS UNPUBLISHED. RELEASED FOR PUBLICATION 20
 © COPYRIGHT 20 BY - ALL RIGHTS RESERVED.

REVISIONS				
P	LTR	DESCRIPTION	DATE	APVD
	A	INITIAL RELEASE	25SEP2015	N.P X.X
	A1	ECR-16-016026	14NOV2016	N.P X.X
	A2	ECR-19-006141	02JUL2020	G.W C.W
	B	ECR-22-132011	28JUN2022	B.P C.W



TECHNICAL DATA	T411041X02X-000	T411041X03X-000	T411041X04X-000	T411041X05X-000
RATED VOLTAGE	250V	250V	250V	60V
RATED CURRENT	4A	4A	4A	4A
POLLUTION DEGREE	3	3	3	3
OVERVOLTAGE CATEGORY	II	II	II	II
MATERIAL GROUP	II	II	II	II
CONTACT RESISTANCE	≤10mΩ	≤10mΩ	≤10mΩ	≤10mΩ
INSULATION RESISTANCE	>100MΩ	>100MΩ	>100MΩ	>100MΩ
DEGREE OF PROTECTION	IP67	IP67	IP67	IP67
OPERATION TEMPERATURE	-40~85°C	-40~85°C	-40~85°C	-40~85°C

- NOTE:
- MATERIAL:
 - ITEM NO.1:NUT -ZINC DIE-CAST,NICKEL PLATED
 - ITEM NO.2:HOUSING -PA
 - ITEM NO.3:CONTACT -BRONZE
 - ITEM NO.4:HOUSING BODY: -ZINC DIE-CAST,NICKEL PLATED
 - CONTACT FINISH: GOLD OVER NICKEL OR SILVER OVER NICKEL
 - CABLE WIRES:
 - 24AWG/0.25mm²...18AWG/0.75mm² (WITHOUT FERRULE)
 - 26AWG/0.14mm²...20AWG/0.50mm² (WITH FERRULE)
 - ALL DIMENSIONS ARE FOR NOMINAL REFERENCE ONLY UNLESS OTHERWISE STATED
 - PACKAGEING: 1 PIECE IN A BAG
 - PN INFORMATION



T4110412051-000	RPC-M12B-FS-5CON-PG9-SHU
T4110411051-000	RPC-M12B-FS-5CON-PG7-SHU
T4110412052-000	RPC-M12B-FS-5CON-PG9-SH
T4110411052-000	RPC-M12B-FS-5CON-PG7-SH
T4110412041-000	RPC-M12B-FS-4CON-PG9-SHU
T4110411041-000	RPC-M12B-FS-4CON-PG7-SHU
T4110412042-000	RPC-M12B-FS-4CON-PG9-SH
T4110411042-000	RPC-M12B-FS-4CON-PG7-SH
T4110412031-000	RPC-M12B-FS-3CON-PG9-SHU
T4110411031-000	RPC-M12B-FS-3CON-PG7-SHU
T4110412032-000	RPC-M12B-FS-3CON-PG9-SH
T4110411032-000	RPC-M12B-FS-3CON-PG7-SH
T4110412021-000	RPC-M12B-FS-2CON-PG9-SHU
T4110411021-000	RPC-M12B-FS-2CON-PG7-SHU
T4110412022-000	RPC-M12B-FS-2CON-PG9-SH
T4110411022-000	RPC-M12B-FS-2CON-PG7-SH
TE PN	TYPE

T411041XXX-000

- CONTACT FINISH:
 - 1: GOLD OVER NICKEL
 - 2: SILVER OVER NICKEL
- NUMBERS OF PINS:
 - 02: 2 PINS
 - 03: 3 PINS
 - 04: 4 PINS
 - 05: 5 PINS
 - 08: 8 PINS
- CABLE OUTLET:
 - 1: PG7(CABLE FEED: 4-6mm)
 - 2: PG9(CABLE FEED: 6-8mm)

THIS DRAWING IS A CONTROLLED DOCUMENT.		DWN Nick Pan 15AUG2015	TE Connectivity	
DIMENSIONS: mm		CHK Kobby Zhao 24AUG2015		
TOLERANCES UNLESS OTHERWISE SPECIFIED:		APVD Xiang Xu 24AUG2015	NAME M12 FEMALE, B CODE, STRAIGHT SHIELDED CONNECTOR SCREW TERMINAL	
0 PLC ±		PRODUCT SPEC 108-106140	SIZE A2	
1 PLC ±0.25		APPLICATION SPEC 114-137144	CAGE CODE -	
2 PLC ±0.15		WEIGHT -	DRAWING NO. C-T411041XXXX000	
3 PLC ±		CUSTOMER DRAWING	RESTRICTED TO	
4 PLC ±		SCALE 1:1	SHEET 1 OF 1	
ANGLES ±			REV B	
FINISH -				