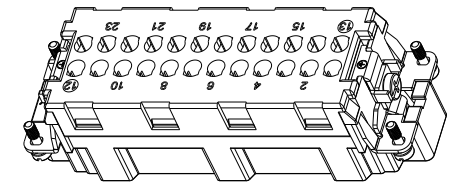
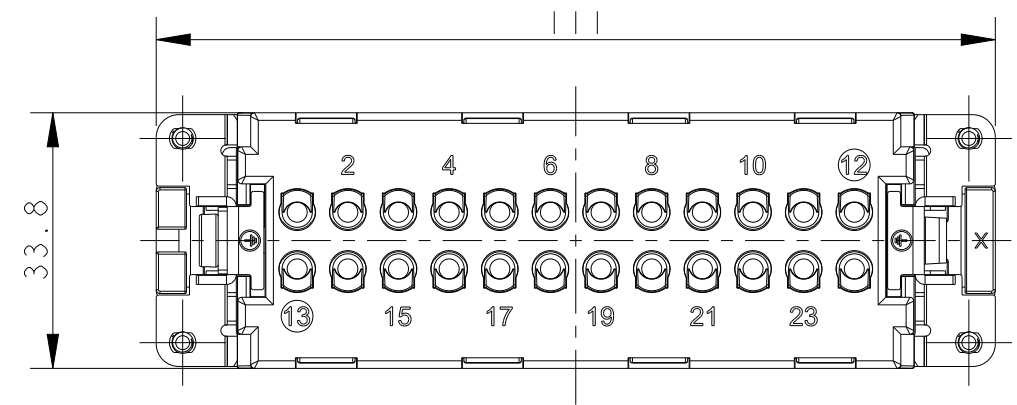


THIS DRAWING IS UNPUBLISHED. RELEASED FOR PUBLICATION 20  
 © COPYRIGHT 20 BY - ALL RIGHTS RESERVED.

REVISIONS

P	LTR	DESCRIPTION	DATE	DWN	APVD
A		INITIAL RELEASE	30MAR2015	DL	CW
B		ECR-15-015128	21OCT2015	DL	CW
C		ECR-21-117384	29OCT2021	WQR	CW



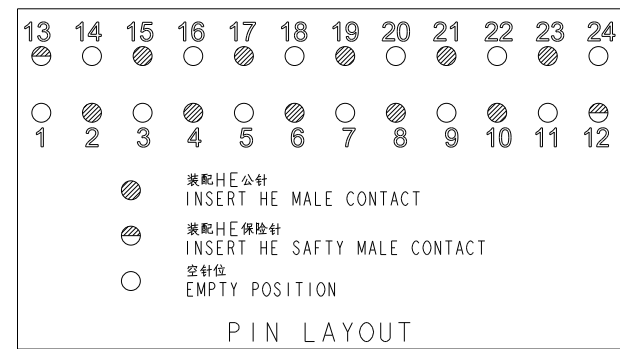
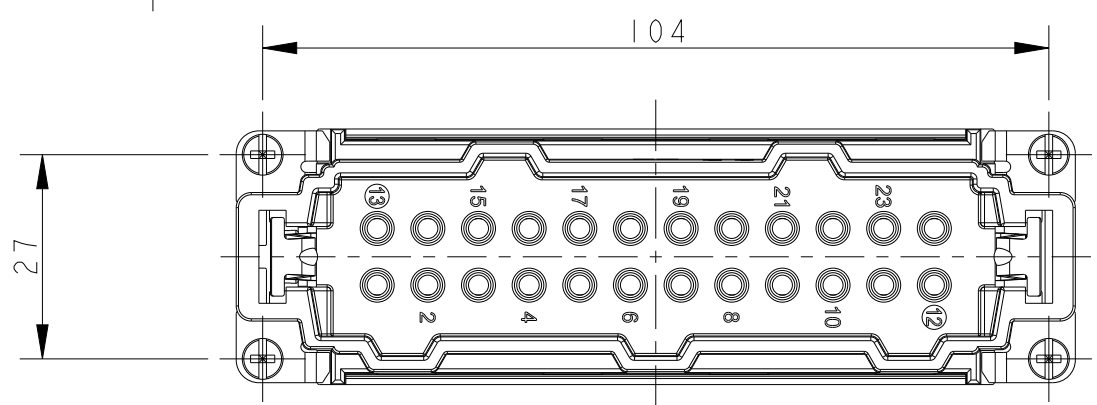
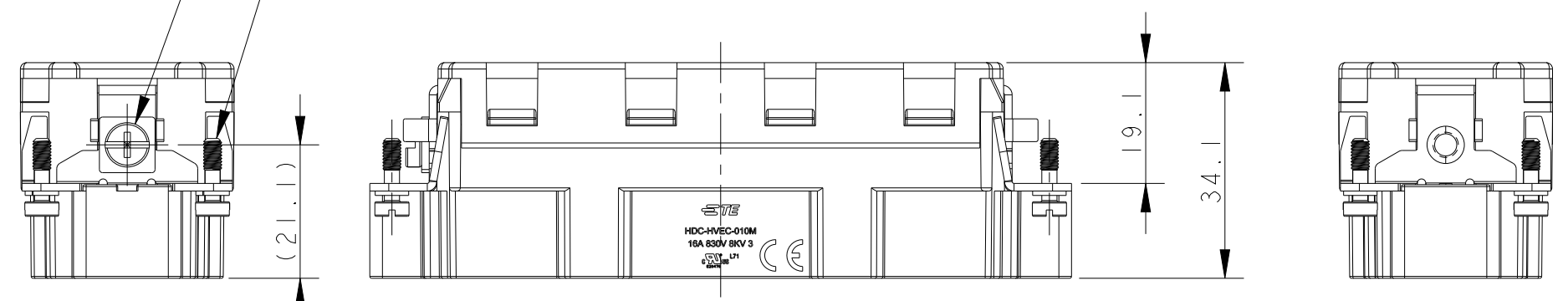
SCALE 1:2

NOTES:

- TECHNICAL CHARACTERISTICS:  
 INSULATION MATERIAL: PC  
 RATED VOLTAGE: 830 V  
 RATED CURRENT: 16 A  
 INSULATION RESISTANCE: >=400MΩ  
 RATED IMPULSE VOLTAGE: 8 KV  
 POLLUTION DEGREE: 3  
 FLAMMABILITY: UL94V-0  
 MATING CYCLES: 500 CYCLES  
 OPERATION TEMPERATURE: -40-+125°C  
 WIRE RANGE: 0.14-4 mm<sup>2</sup> (26-12 AWG)  
 CONTACT TYPE: CRIMP CONTACT
- CONTACT NEED TO BE ORDERED SEPARATELY.  
 (HE MALE CONTACT ORDER No. REFER TO DRAWING: T20300X10XX000;  
 HE SAFTY CONTACT ORDER No. REFER TO DRAWING: T20330010XX000)

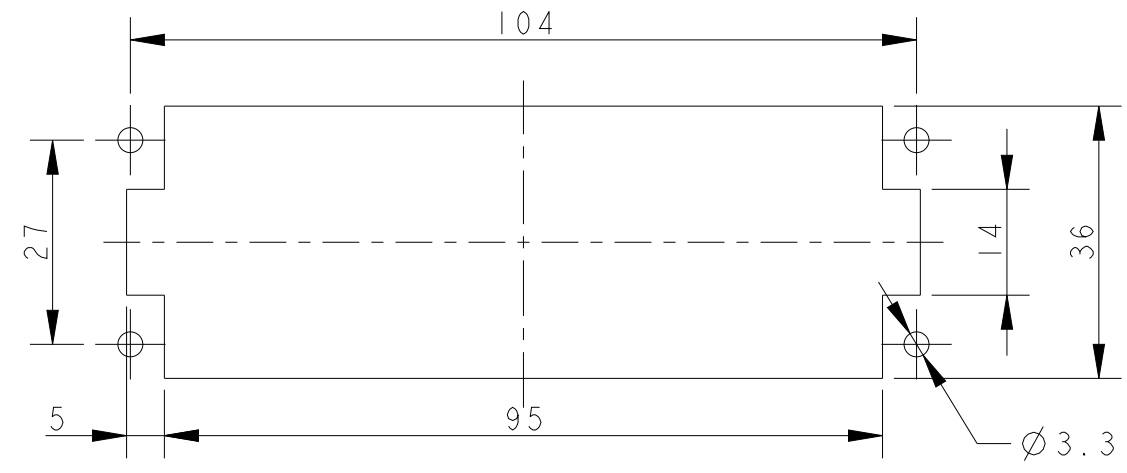
M4 THREAD  
 RECOMMENDED TIGHTENING TORQUE 1.2Nm

4 X M3 THREAD  
 RECOMMENDED TIGHTENING TORQUE 0.5Nm



注释:

- 技术参数:  
 绝缘材料: PC  
 额定电压: 830V  
 额定电流: 16A  
 绝缘电阻: >=400MΩ  
 额定脉冲电压: 8 KV  
 污染等级: 3  
 阻燃等级: UL94V-0  
 插拔次数: 500次  
 工作温度: -40-+125°C  
 接线范围: 0.14-4 mm<sup>2</sup> (26-12 AWG)  
 接线类型: 冷压接
- 端子需要单独订购.  
 (HE公针订货号参考图面: T20300X10XX000  
 HE保险针订货号参考图面: T20330010XX000)



PANEL CUT FOR INSERTS FOR USING WITHOUT HOODS/HOUSINGS

THIS DRAWING IS A CONTROLLED DOCUMENT.

DIMENSIONS:	TOLERANCES UNLESS OTHERWISE SPECIFIED:
mm	
0 PLC	±-
1 PLC	±-
2 PLC	±-
3 PLC	±-
4 PLC	±-
ANGLES	±-
FINISH	-

DWN	DAVID LI	27MAR2015
CHK	CHRIS WANG	27MAR2015
APVD	XU XIANG	27MAR2015
PRODUCT SPEC	108-137069	
APPLICATION SPEC	114-137069	
WEIGHT	-	
CUSTOMER DRAWING		

HVEC-010-M	T2300104101-000
DESCRIPTION	PART NUMBER



TE Connectivity

NAME		HVEC-010-M	
SIZE	CAGE CODE	DRAWING NO	RESTRICTED TO
A3	-	©-T2300104101000	
SCALE		SHEET	OF
1:1		1	1
REV		C	