

4

3

2

1

THIS DRAWING IS UNPUBLISHED.

RELEASED FOR PUBLICATION

20

© COPYRIGHT 20 BY -

ALL RIGHTS RESERVED.

REVISIONS

P	LTR	DESCRIPTION	DATE	DWN	APVD
	B	ECR-15-018270	09DEC2015	DW	CW
	B1	ECR-18-018657	29NOV2018	CD	CW
	C	ECR-19-006822	21MAY2019	BS	CW
	D	ECR-21-111798	23SEP2021	WQR	CW

TYPE I
类型 I

NOTES:

- TECHNICAL CHARACTERISTICS:
INSULATION MATERIAL: PC
RATED VOLTAGE: 690V
RATED CURRENT: 40A
INSULATION RESISTANCE: $\geq 400M\Omega$
RATED IMPULSE VOLTAGE: 8KV
POLLUTION DEGREE: 3
FLAMMABILITY: UL94V-0
MATING CYCLES: 500 CYCLES
OPERATION TEMPERATURE: $-40\sim+125^{\circ}C$
WIRE RANGE: $1\sim 6\text{ mm}^2$ (18~10 AWG)
CONTACT TYPE: CRIMP CONTACT
- CONTACT NEED TO BE ORDERED SEPARATELY.
(ORDER No. REFER TO DRAWING: T20400X10XX000)

注释:

- 技术参数:
绝缘材料: PC
额定电压: 690V
额定电流: 40A
绝缘电阻: $\geq 400M\Omega$
额定脉冲电压: 8KV
污染等级: 3
阻燃等级: UL94V-0
插拔次数: 500次
工作温度: $-40\sim+125^{\circ}C$
接线范围: $1\sim 6\text{ mm}^2$ (18~10 AWG)
接线类型: 冷压接
- 端子需要单独订购.
(订货号参考图面: T20400X10XX000)

THIS DRAWING IS A CONTROLLED DOCUMENT.

DIMENSIONS:
mm

TOLERANCES UNLESS OTHERWISE SPECIFIED:

0 PLC	±-
1 PLC	±-
2 PLC	±-
3 PLC	±-
4 PLC	±-
ANGLES	±-

MATERIAL

FINISH

DWN 16APR2015

David Wang

CHK 16APR2015

Chris Wang

APVD 16APR2015

Xiang Xu

PRODUCT SPEC

108-137118

APPLICATION SPEC

114-137118

WEIGHT

-

Customer Drawing

TE Connectivity

NAME

HMN-003-M

PRODUCT SPEC

108-137118

APPLICATION SPEC

114-137118

WEIGHT

-

Customer Drawing

SIZE

A3

CAGE CODE

00779

DRAWING NO

T2111032101000

RESTRICTED TO

-

SCALE 3:2

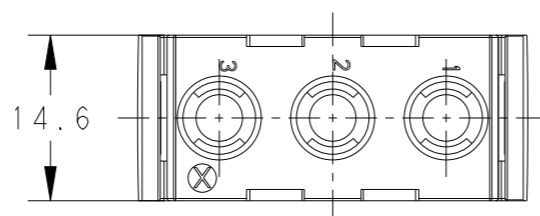
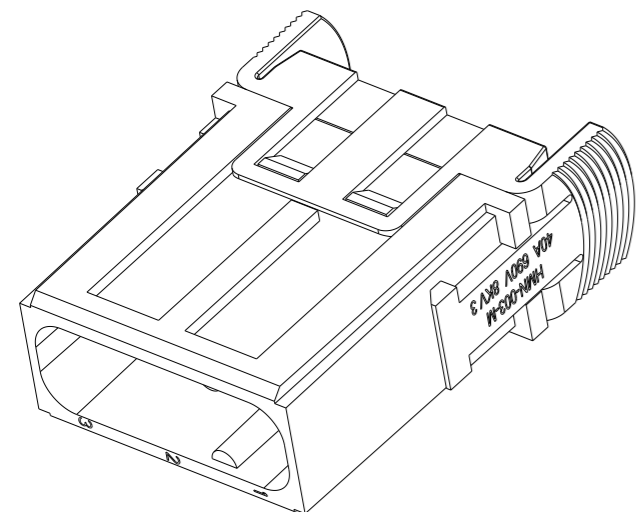
SHEET 1 OF 2

REV D

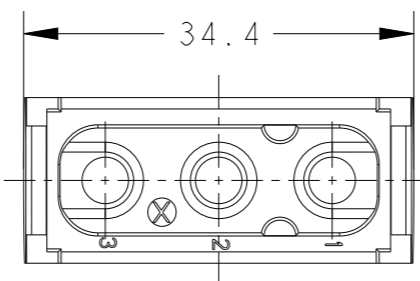
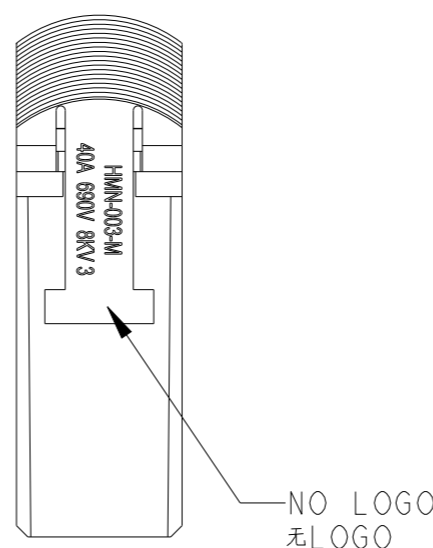
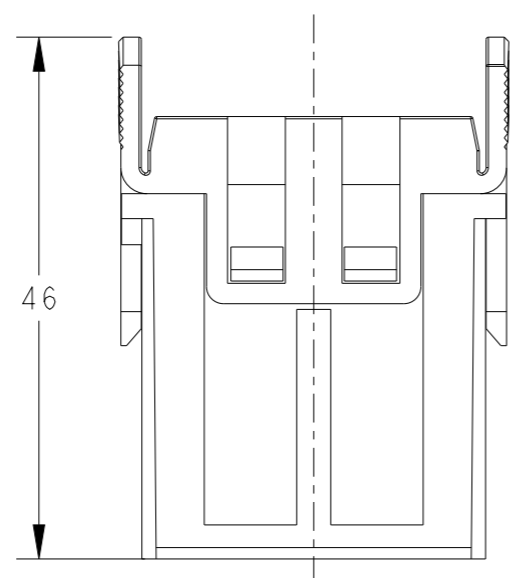
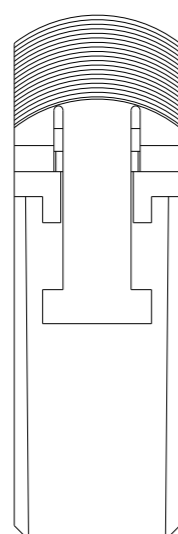
1470-19 (3/13)

P	LTR	DESCRIPTION	DATE	DWN	APVD
-	-	SEE SHEET 1	-	-	-

TYPE 2: NO LOGO
类型2: 无LOGO



NOTES:
SEE SHEET 1
备注:
见 SHEET 1



T2111032101-002	HMN-003-M	HMN-003 FEMALE MODULE INSERT, NO LOGO HMN-003 模块母插, 无LOGO	TYPE2 类型2
T2111032101-000	HMN-003-M	HMN-003 FEMALE MODULE INSERT HMN-003 模块母插	TYPE1 类型1
PART NUMBER 料号	PART DESCRIPTION 描述		TYPE 类型

THIS DRAWING IS A CONTROLLED DOCUMENT.		DWN 16APR2015 David Wang			
DIMENSIONS: mm		CHK 16APR2015 Chris Wang			NAME HMN-003-M
TOLERANCES UNLESS OTHERWISE SPECIFIED:		APVD 16APR2015 Xiang Xu			PRODUCT SPEC 108-137118
0 PLC ±- 1 PLC ±- 2 PLC ±- 3 PLC ±- 4 PLC ±- ANGLES ±-		APPLICATION SPEC 114-137118			SIZE A3
MATERIAL -	FINISH -	WEIGHT -	CAGE CODE 00779	DRAWING NO T2111032101000	RESTRICTED TO -
Customer Drawing			SCALE 3:2	SHEET 2 OF 2	REV D