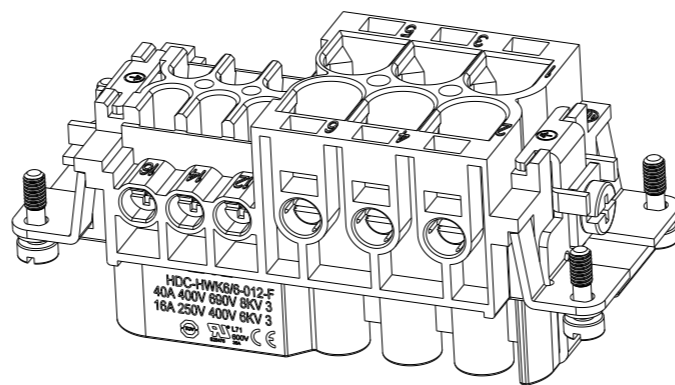
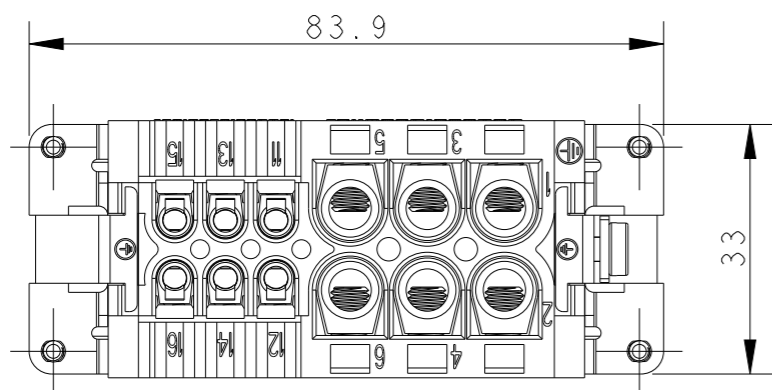


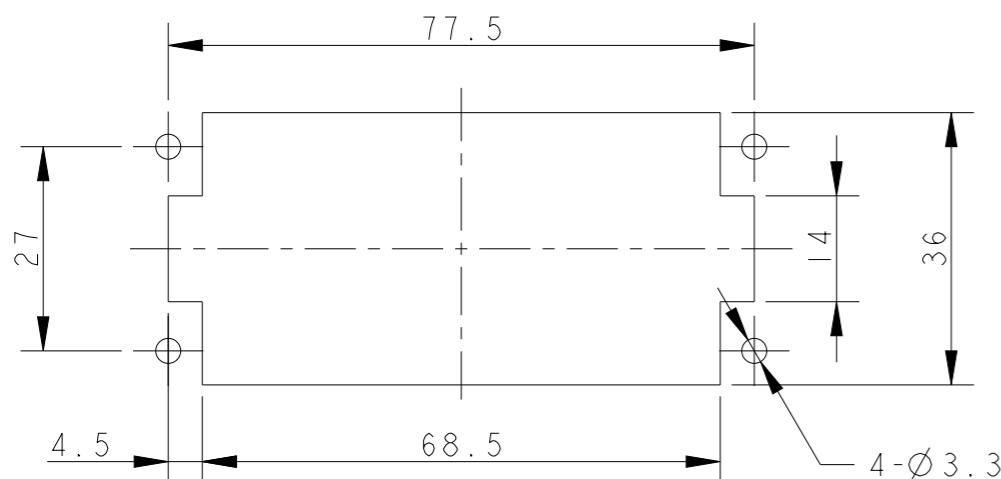
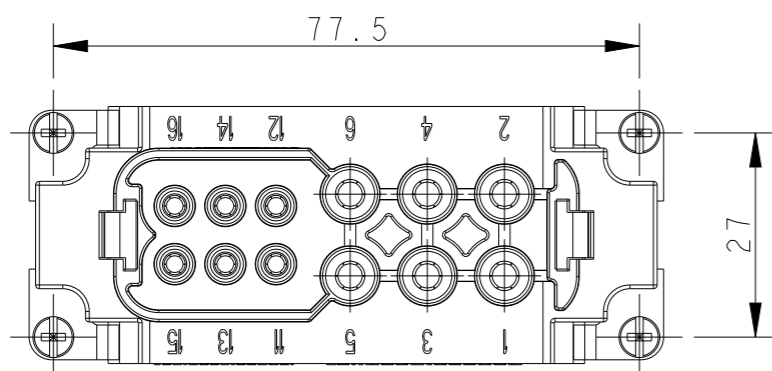
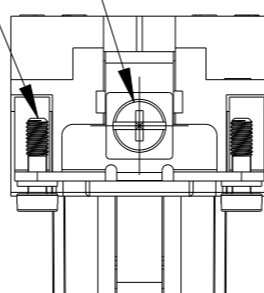
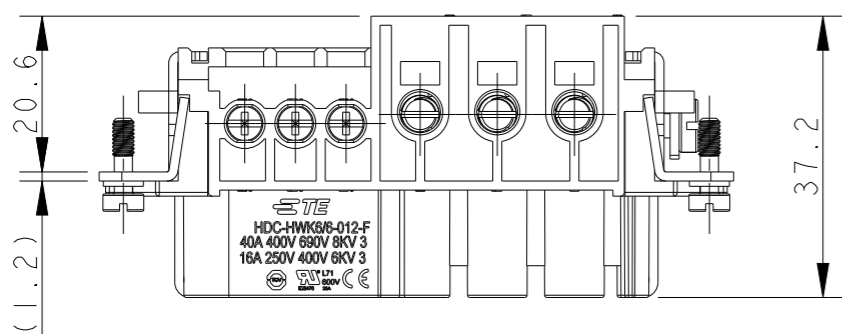
REVISIONS

P	LTR	DESCRIPTION	DATE	DWN	APVD
A		INITIAL RELEASE	13APR2015	DL	CW
AI		ECR-15-009224	23JUN2015	DL	CW
B		ECR-15-018481	22FEB2016	DL	CW
C		ECR-21-111798	14SEP2021	WQR	CW



M4 THREAD
RECOMMENDED TIGHTENING TORQUE 1.2Nm

4 X M3 THREAD
RECOMMENDED TIGHTENING TORQUE 0.5Nm



PANEL CUT OUT FOR INSERTS FOR USING WITHOUT HOODS/HOUSINGS



NOTES:

- TECHNICAL CHARACTERISTICS:
INSULATION MATERIAL: PC
RATED VOLTAGE: POWER: CONDUCTOR-CONDUCTOR: 690 V;
CONDUCTOR-GROUND: 400 V
SIGNAL: CONDUCTOR-CONDUCTOR: 400 V;
CONDUCTOR-GROUND: 250 V
RATED CURRENT: POWER: 40 A; SIGNAL: 16 A
INSULATION RESISTANCE: >=400MΩ
RATED IMPULSE VOLTAGE: POWER: 6 KV; SIGNAL: 4 KV
POLLUTION DEGREE: 3
FLAMMABILITY: UL94V-0
MATING CYCLES: 500
OPERATION TEMPERATURE: -40-+125°C
WIRE RANGE: POWER: 2.5-10.0 mm² (14-7 AWG)
SIGNAL: 0.5-2.5 mm² (16-14 AWG)
CONTACT FINISH: SILVER PLATED
CONTACT TYPE: SCREW CONTACT

注释:

- 技术参数:
绝缘材料: PC
额定电压: 电源: 导体-导体: 690V; 导体-地: 400V;
信号: 导体-导体: 400V; 导体-地: 250V;
额定电流: 电源: 40A; 信号: 16A
绝缘电阻: >=400MΩ
额定脉冲电压: 电源: 6 KV; 信号: 4 KV
污染等级: 3
阻燃等级: UL94V-0
插拔次数: 500次
工作温度: -40-+125°C
接线范围: 电源: 2.5-10.0 mm² (14-7 AWG)
信号: 0.5-2.5 mm² (16-14 AWG)
端子表面处理: 镀银
接线类型: 螺丝压接

T2106062201-000	HWK6/6-012-F HWK6/6-012 母插
PART NUMBER 料号	PART DESCRIPTION 描述

THIS DRAWING IS A CONTROLLED DOCUMENT.		DWN	13APR2015	 TE Connectivity	NAME
		DAVID LI			
		CHK	13APR2015		
		CHRIS WANG			
		APVD	13APR2015	HDC-HWK6/6-012-F	RESTRICTED TO
		XU XIANG			
DIMENSIONS: mm		TOLERANCES UNLESS OTHERWISE SPECIFIED:		PRODUCT SPEC	108-137126
		0 PLC	±-	APPLICATION SPEC	114-137126
		1 PLC	±-	SIZE	A3
		2 PLC	±-	CAGE CODE	-
		3 PLC	±-	DRAWING NO	©-T2106062201000
		4 PLC	±-	WEIGHT	-
		ANGLES	±-	CUSTOMER DRAWING	SCALE 1:1
MATERIAL		FINISH	-	SHEET	1 OF 1
				REV	C