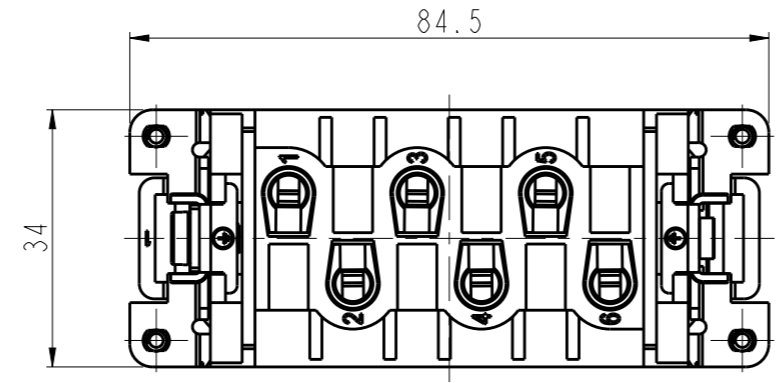
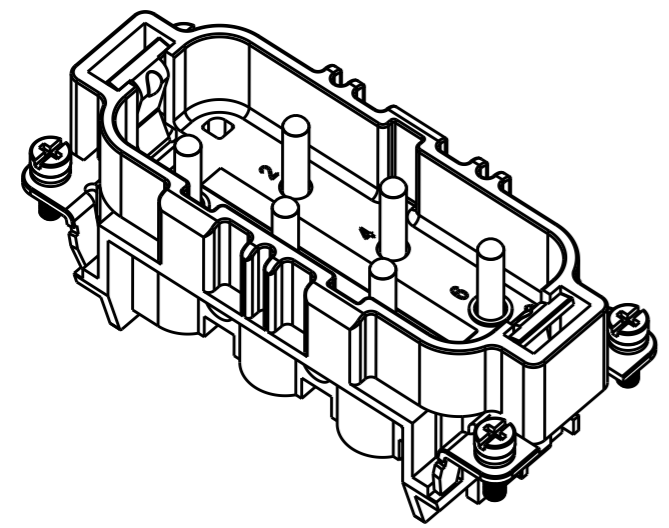


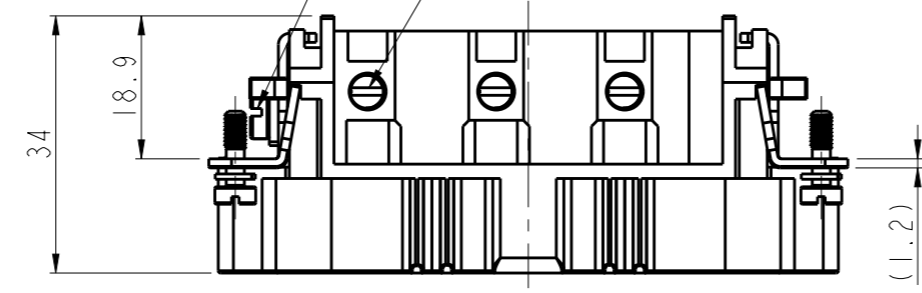
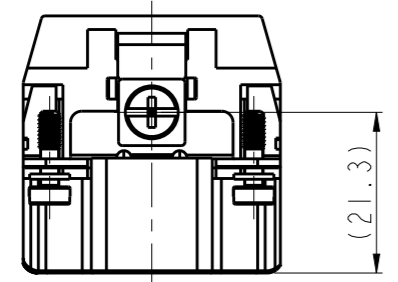
THIS DRAWING IS UNPUBLISHED. RELEASED FOR PUBLICATION 20  
 © COPYRIGHT 20 BY - ALL RIGHTS RESERVED.

REVISIONS					
P	LTR	DESCRIPTION	DATE	DWN	APVD
	A	INITIAL	25MAR2017	QY	CW

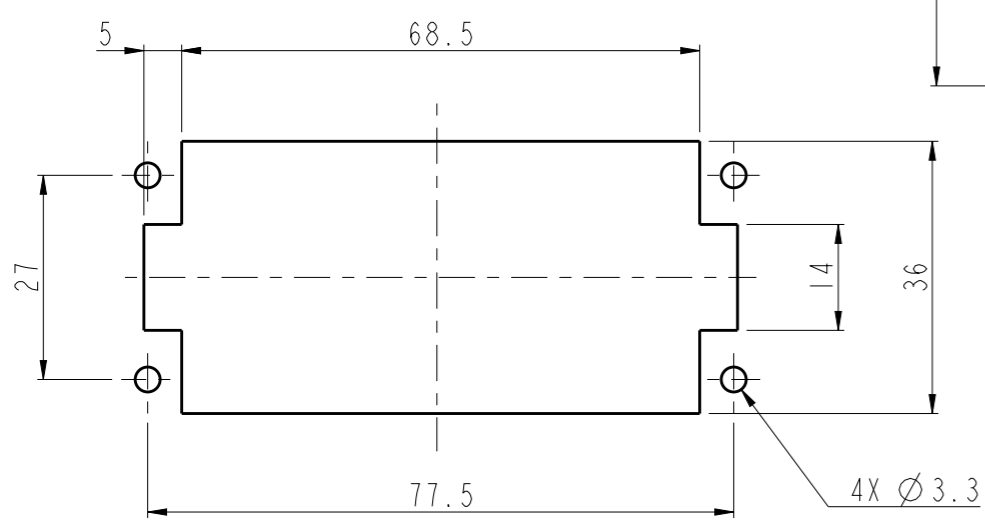
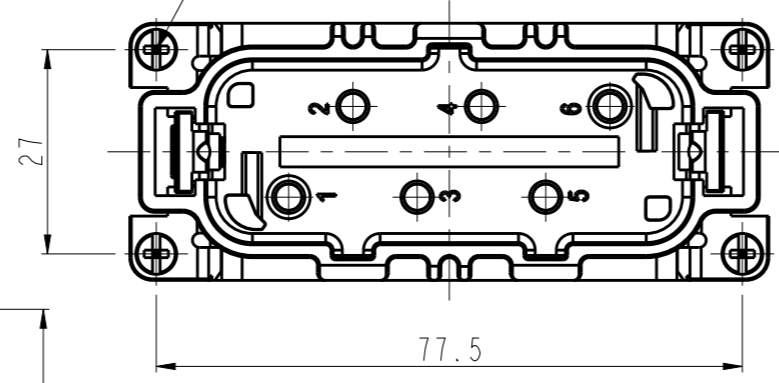


M4 SCREW, RECOMMENDED TIGHTENING TORQUE 1.2Nm  
 M4 螺丝, 推荐锁紧力矩 1.2Nm

6X M4 SCREW, RECOMMENDED TIGHTENING TORQUE 1.2Nm  
 6X M4 螺丝, 推荐锁紧力矩 1.2Nm



4X M3 SCREW, RECOMMENDED TIGHTENING TORQUE 0.5Nm  
 4X M3 螺丝, 推荐锁紧力矩 0.5Nm



PANEL CUT OUT FOR INSERTS FOR USING WITHOUT HOODS/HOUSINGS  
 不使用防护外壳时芯件的安装开孔图


NOTES:

- TECHNICAL CHARACTERISTICS:  
 INSULATION MATERIAL: PC(GRAY)  
 RATED VOLTAGE: CONDUCTOR-GROUND: 400V  
 CONDUCTOR-CONDUCTOR: 690V  
 RATED CURRENT: 35A  
 INSULATION RESISTANCE: >=400MΩ  
 RATED IMPULSE VOLTAGE: 6KV  
 POLLUTION DEGREE: 3  
 FLAMMABILITY: UL94V-0  
 MATING CYCLES: 500  
 WIRE RANGE: 1.5mm<sup>2</sup>~6.0mm<sup>2</sup> (AWG16-AWG10)  
 CONTACT FINISH: SILVER PLATED  
 CONTACT TYPE: SCREW CLAMP (M4)

注释:

- 技术参数:  
 绝缘材料: PC(GRAY)  
 额定电压: 导体-地: 400V  
 导体-导体: 690V  
 额定电流: 35A  
 绝缘电阻: >=400MΩ  
 脉冲电压: 6KV  
 污染等级: 3  
 阻燃等级: UL94V-0  
 插拔次数: 500  
 接线范围: 1.5mm<sup>2</sup>~6.0mm<sup>2</sup> (AWG16-AWG10)  
 端子表面处理: 镀银  
 接线类型: 螺丝压接 (M4)

T2060062101-002	HSB-006-M	HSB-006 MALE INSERT, STAINLESS STEEL SCREW, NO LOGO HSB-006公插, 不锈钢螺丝, 无LOGO
PART NUMBER 料号	PART DESCRIPTION 描述	

THIS DRAWING IS A CONTROLLED DOCUMENT.		DWN 25MAR2017 QIANG YUAN	 TE Connectivity	
		CHK 25MAR2017 GINO YAO		
		APVD 25MAR2017 CHRIS WANG	NAME HSB-006-M	
DIMENSIONS: mm		PRODUCT SPEC 108-137052	RESTRICTED TO	
TOLERANCES UNLESS OTHERWISE SPECIFIED: 0 PLC ±- 1 PLC ±- 2 PLC ±- 3 PLC ±- 4 PLC ±- ANGLES ±-		APPLICATION SPEC 114-137052	SIZE A3	CAGE CODE -
MATERIAL -		WEIGHT -	DRAWING NO T2060062101002	
		CUSTOMER DRAWING	SCALE 1:1	SHEET 1 OF 1
			REV A	