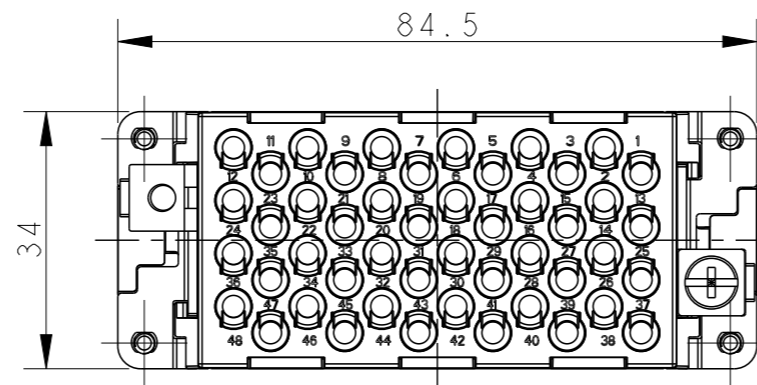
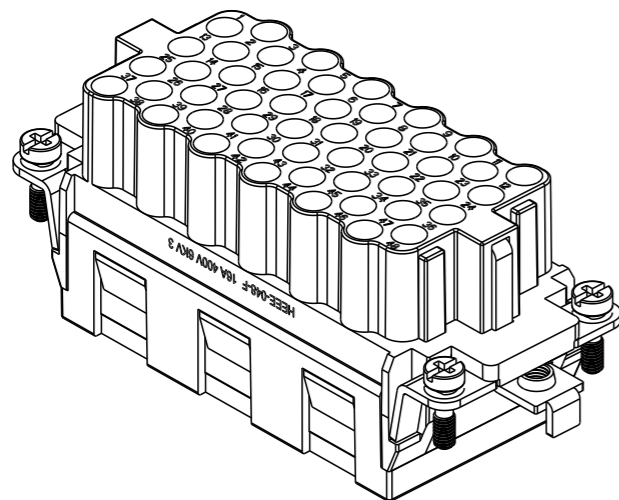
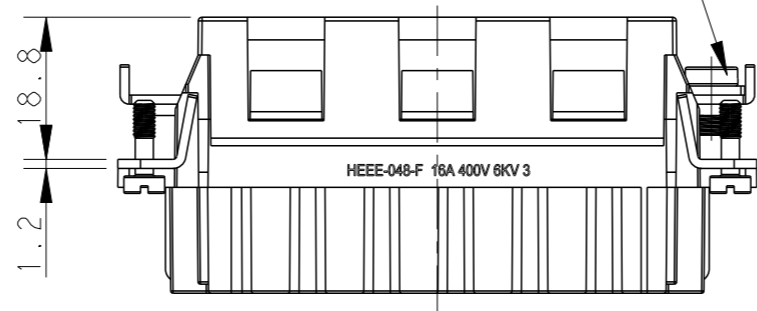


REVISIONS

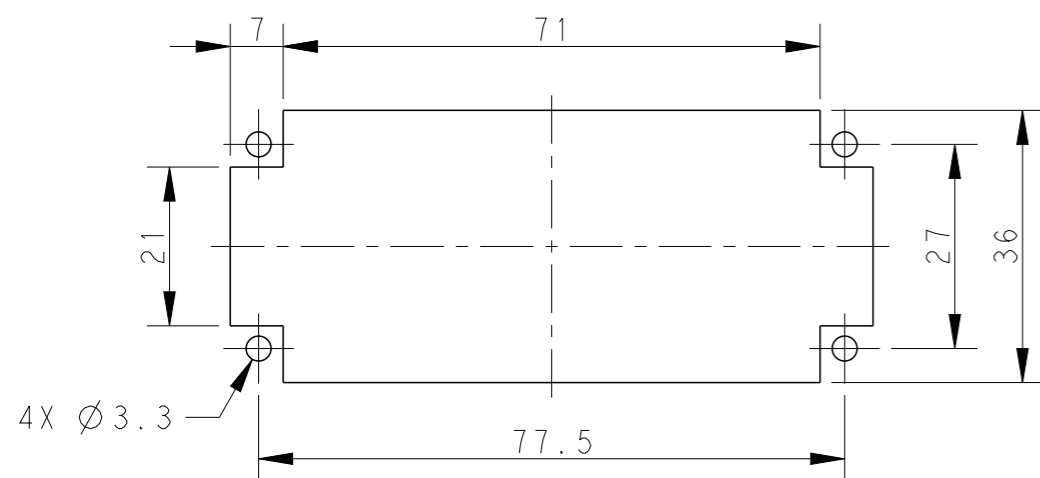
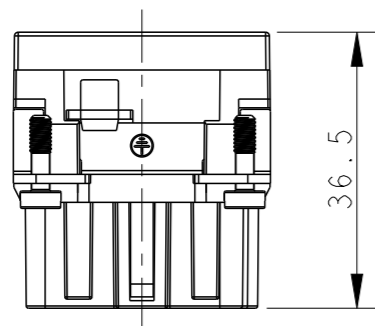
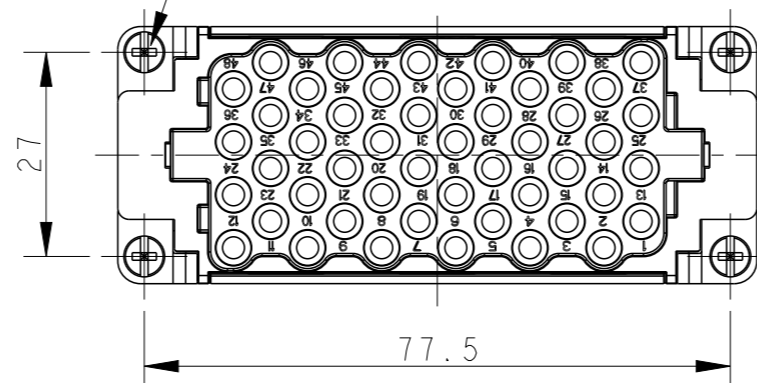
P	LTR	DESCRIPTION	DATE	DWN	APVD
A		INITIAL RELEASE	18DEC2014	HMR	CW
B		ECR-15-015267	20OCT2015	DW	CW
B1		ECR-19-012251	07SEP2019	WQR	CW



M4 THREAD, RECOMMENDED TIGHTENING TORQUE 1.2Nm
M4 螺丝, 推荐拧紧力矩1.2N.m



4X M3 THREAD, RECOMMENDED TIGHTENING TORQUE 0.5Nm
4X M3 螺丝, 推荐拧紧力矩0.5N.m



PANEL CUT FOR INSERTS FOR USE WITHOUT HOODS/ HOUSINGS
不使用防护外壳时芯件的安装开孔图

NOTES:

- TECHNICAL CHARACTERISTICS:
INSULATION MATERIAL: PC
RATED VOLTAGE: 400V
RATED CURRENT: 16A
INSULATION RESISTANCE: $\geq 400M\Omega$
RATED IMPULSE VOLTAGE: 6KV
POLLUTION DEGREE: 3
FLAMMABILITY: UL94V-0
MATING CYCLES: 500 CYCLES
WIRE RANGE: $0.14mm^2 \sim 4mm^2$ (AWG26-AWG12)
CONTACT TYPE: CRIMP CONTACT
- CONTACTS NEED TO BE ORDERED SEPARATELY.
(ORDER No. REFER TO DRAWING: T20300X20XX000)

注释:


- 技术参数:
绝缘材料: PC
额定电压: 400V
额定电流: 16A
绝缘电阻: $\geq 400M\Omega$
脉冲电压: 6KV
污染等级: 3
阻燃等级: UL94V-0
插拔次数: 500次
接线范围: $0.14mm^2 \sim 4mm^2$ (AWG26-AWG12)
接线类型: 冷压接
- 端子需要单独订购。
(订货号参考图面: T20300X20XX000)

T2059482201-000	HEEE-048-F	HEEE-048 FEMALE INSERT, NO LOGO HEEE-048母插, 无LOGO
PART NUMBER 料号	PART DESCRIPTION 描述	

THIS DRAWING IS A CONTROLLED DOCUMENT.

DIMENSIONS:	TOLERANCES UNLESS OTHERWISE SPECIFIED:
mm	
0 PLC	±-
1 PLC	±-
2 PLC	±-
3 PLC	±-
4 PLC	±-
ANGLES	±-
MATERIAL	FINISH
-	-
-	-

DWN	18DEC2014
RAGHAVENDRA H M	
CHK	18DEC2014
CHRIS WANG	
APVD	18DEC2014
XU XIANG	
PRODUCT SPEC	108-137068
APPLICATION SPEC	114-137068
WEIGHT	-
Customer Drawing	

 TE Connectivity		NAME		HEEE-048 FEMALE INSERT, NO LOGO
		SIZE	CAGE CODE	
DRAWING NO		RESTRICTED TO		
A300779		G-T2059482201000		
SCALE	1:1	SHEET	1 OF 1	REV B1