

THIS DRAWING IS UNPUBLISHED.

RELEASED FOR PUBLICATION

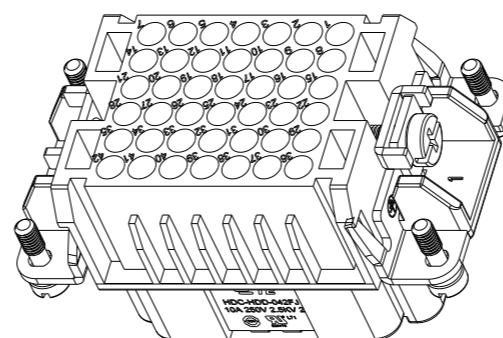
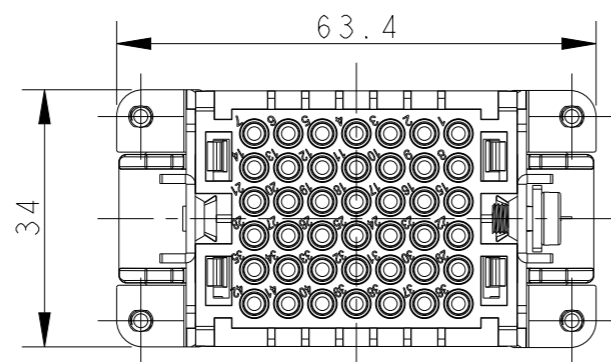
20

© COPYRIGHT 20 BY -

ALL RIGHTS RESERVED.

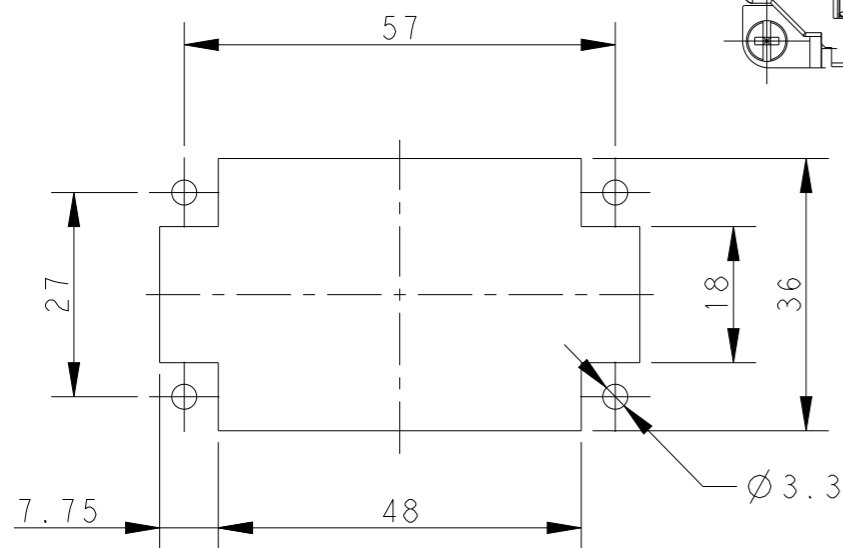
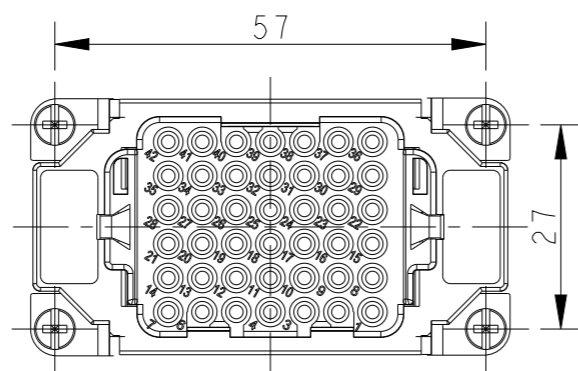
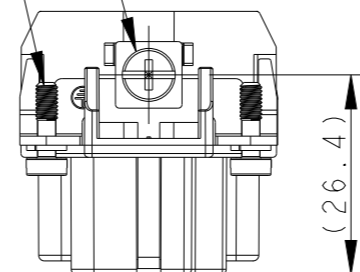
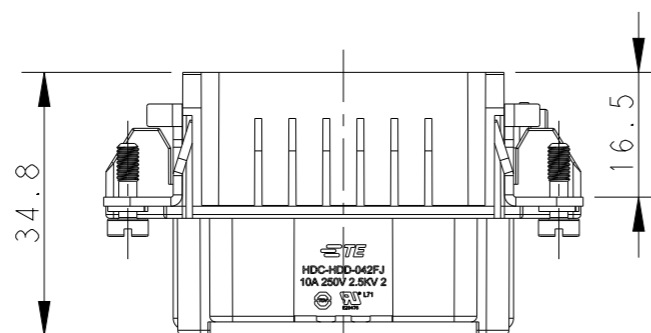
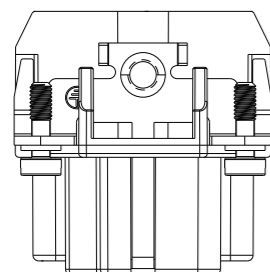
REVISIONS

P	LTR	DESCRIPTION	DATE	DWN	APVD
A		INITIAL RELEASE	19MAR2015	DL	CW
B		ECR-15-013292	24SEP2015	DL	CW
C		ECR-21-105887	26JUL2021	BS	CW



M4 SCREW  
RECOMMENDED TIGHTENING TORQUE 1.2Nm

4 X M3 SCREW  
RECOMMENDED TIGHTENING TORQUE 0.5Nm



PANEL CUT OUT FOR INSERTS FOR USING WITHOUT HOODS/HOUSINGS

NOTES:

- TECHNICAL CHARACTERISTICS:  
INSULATION MATERIAL: PC  
RATED VOLTAGE: 250 V  
RATED CURRENT: 10 A  
INSULATION RESISTANCE: >=400MΩ  
RATED IMPULSE VOLTAGE: 2.5 KV  
POLLUTION DEGREE: 2  
FLAMMABILITY: UL94V-0  
MATING CYCLES: 500 CYCLES  
OPERATION TEMPERATURE: -40-+125°C  
WIRE RANGE: 0.14-2.5 mm<sup>2</sup> (26-14 AWG)  
CONTACT TYPE: ROLLED CRIMP CONTACT
- CONTACT NEED TO BE ORDERED SEPARATELY.

注释:

- 技术参数:  
绝缘材料: PC  
额定电压: 250V  
额定电流: 10A  
绝缘电阻: >=400MΩ  
额定脉冲电压: 2.5 KV  
污染等级: 2  
阻燃等级: UL94V-0  
插拔次数: 500次  
工作温度: -40-+125°C  
接线范围: 0.14-2.5 mm<sup>2</sup> (26-14 AWG)  
接线类型: 卷皮式冷压接
- 端子需要单独订购.

HDD-042-FJ	T2030423201-000
DESCRIPTION	PART NUMBER



THIS DRAWING IS A CONTROLLED DOCUMENT.		DWN	DAVID LI	18MAR2015	NAME HDD-042-FJ
DIMENSIONS: mm		CHK	CHRIS WANG	18MAR2015	
TOLERANCES UNLESS OTHERWISE SPECIFIED:		APVD	XU XIANG	18MAR2015	
0 PLC ±- 1 PLC ±- 2 PLC ±- 3 PLC ±- 4 PLC ±- ANGLES ±-		PRODUCT SPEC	108-137043		
MATERIAL	FINISH	APPLICATION SPEC	114-137043		SIZE
-	-	WEIGHT	-		CAGE CODE
-	-	CUSTOMER DRAWING	-		DRAWING NO
					RESTRICTED TO
					SCALE 1:1
					SHEET 1 OF 1
					REV C