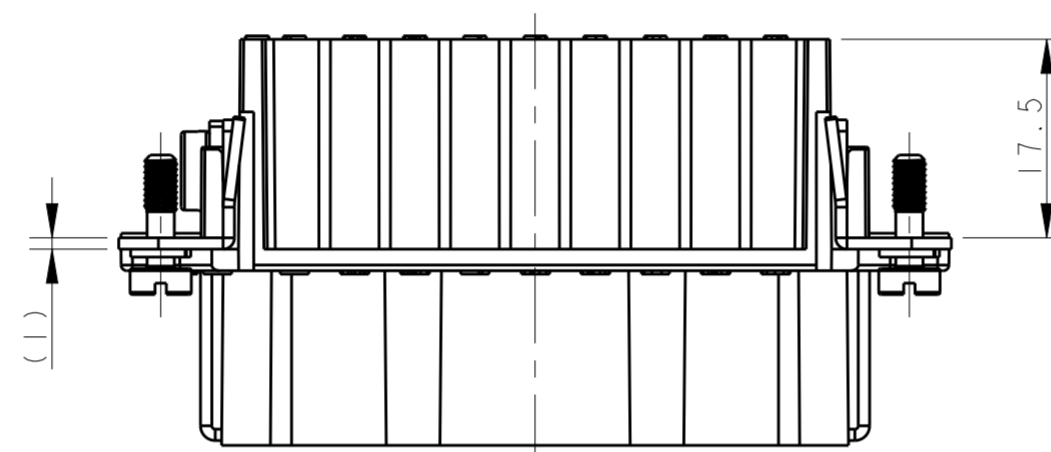
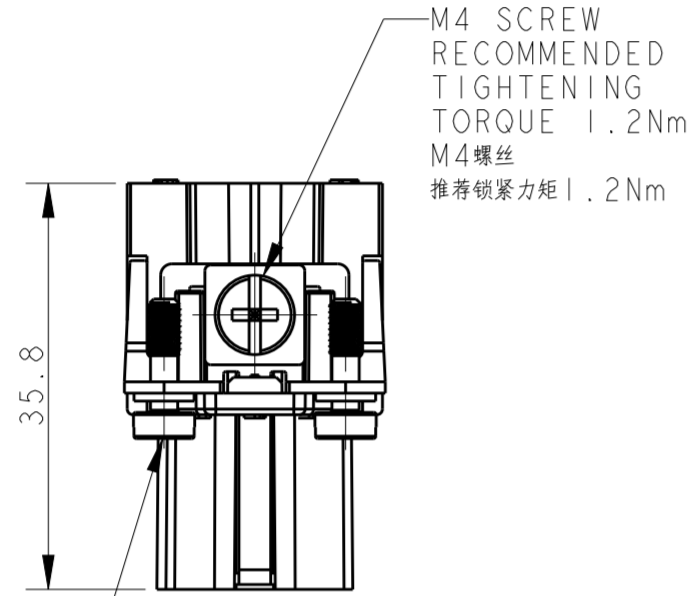
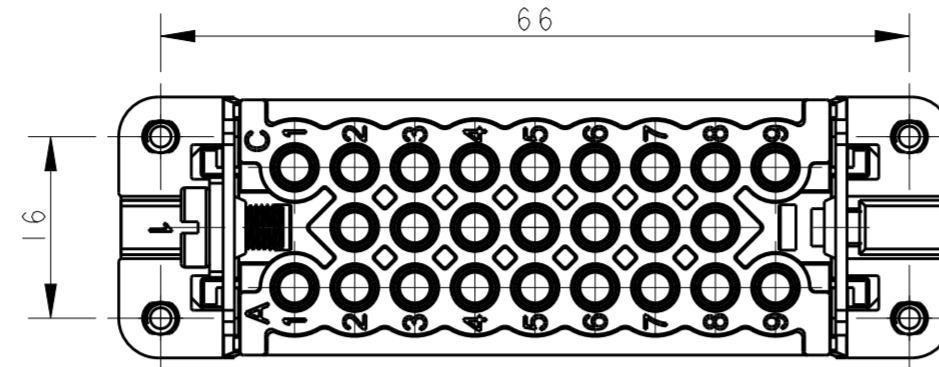
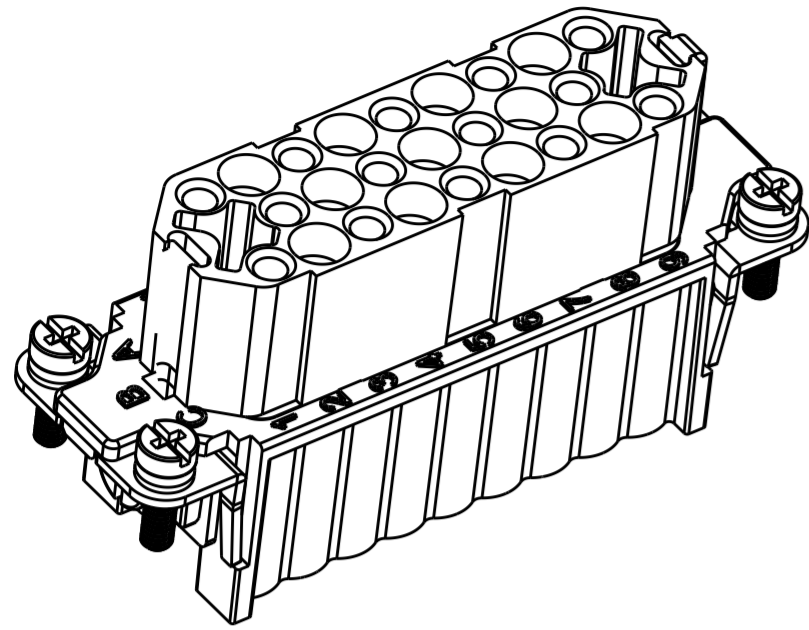
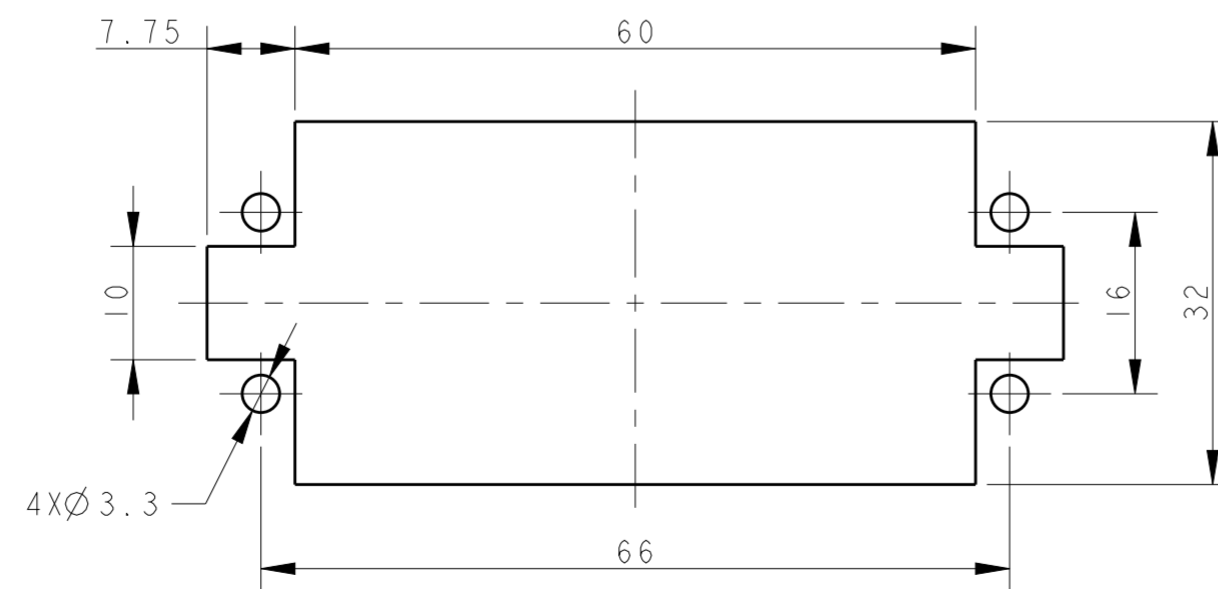
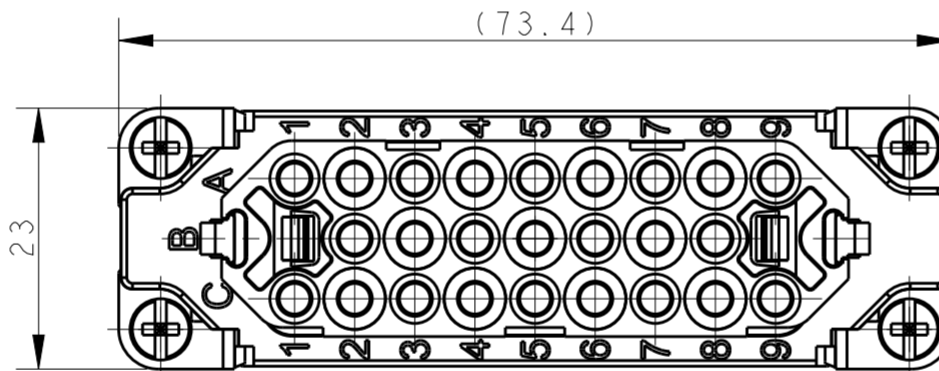


THIS DRAWING IS UNPUBLISHED. RELEASED FOR PUBLICATION 20
 © COPYRIGHT 20 BY - ALL RIGHTS RESERVED.

REVISIONS					
P	LTR	DESCRIPTION	DATE	DWN	APVD
	A	INITIAL	23NOV2017	QY	CW



4X M3 SCREW
RECOMMENDED
TIGHTENING
TORQUE 0.5Nm
4X M3螺丝
推荐锁紧力矩0.5Nm



PANEL CUT OUT FOR INSERTS FOR USE
WITHOUT HOODS/HOUSINGS
不使用防护外壳时芯件的安装开孔图

- NOTES:
- TECHNICAL CHARACTERISTICS:
 INSULATION MATERIAL: PC
 RATED VOLTAGE: 250 V
 RATED CURRENT: 10 A
 INSULATION RESISTANCE: $\geq 400M\Omega$
 RATED IMPULSE VOLTAGE: 4 KV
 POLLUTION DEGREE: 3
 FLAMMABILITY: UL94V-0
 MATING CYCLES: 500 CYCLES
 WIRE RANGE: 0.14-2.5 mm² (26-14 AWG)
 CONTACT TYPE: CRIMP CONTACT
 - CONTACT NEED TO BE ORDERED SEPARATELY.
 (ORDER No. REFER TO DRAWING: T20200X20XX000)

- 注释:
- 技术参数:
 绝缘材料: PC
 额定电压: 250V
 额定电流: 10A
 绝缘电阻: $\geq 400M\Omega$
 额定脉冲电压: 4 KV
 污染等级: 3
 阻燃等级: UL94V-0
 插拔次数: 500次
 接线范围: 0.14-2.5 mm² (26-14 AWG)
 接线类型: 冷压接
 - 端子需要单独订购.
 (订货号参考图面: T20200X20XX000)

T2020252201-001	HD-025-F	HD-025 FEMALE INSERT, STAINLESS STEEL SCREW, NO LOGO HD-025母插, 带不锈钢螺丝, 无LOGO																	
PART NUMBER 料号		PART DESCRIPTION 描述																	
THIS DRAWING IS A CONTROLLED DOCUMENT.		DWN QIANG YUAN 23NOV2017	TE Connectivity NAME HD-025-F																
		CHK GINO YAO 23NOV2017																	
		APVD CHRIS WANG 23NOV2017																	
		PRODUCT SPEC 108-137042																	
DIMENSIONS: mm		TOLERANCES UNLESS OTHERWISE SPECIFIED:		APPLICATION SPEC 114-137042	RESTRICTED TO														
<table border="1"> <tr><td>0 PLC</td><td>±</td></tr> <tr><td>1 PLC</td><td>±</td></tr> <tr><td>2 PLC</td><td>±</td></tr> <tr><td>3 PLC</td><td>±</td></tr> <tr><td>4 PLC</td><td>±</td></tr> <tr><td>ANGLES</td><td>±</td></tr> <tr><td>FINISH</td><td>-</td></tr> </table>		0 PLC	±	1 PLC	±	2 PLC	±	3 PLC	±	4 PLC	±	ANGLES	±	FINISH	-	MATERIAL -		WEIGHT -	SCALE 3:2
0 PLC	±																		
1 PLC	±																		
2 PLC	±																		
3 PLC	±																		
4 PLC	±																		
ANGLES	±																		
FINISH	-																		
CUSTOMER DRAWING		DRAWING NO T2020252201001		SHEET 1	REV A														