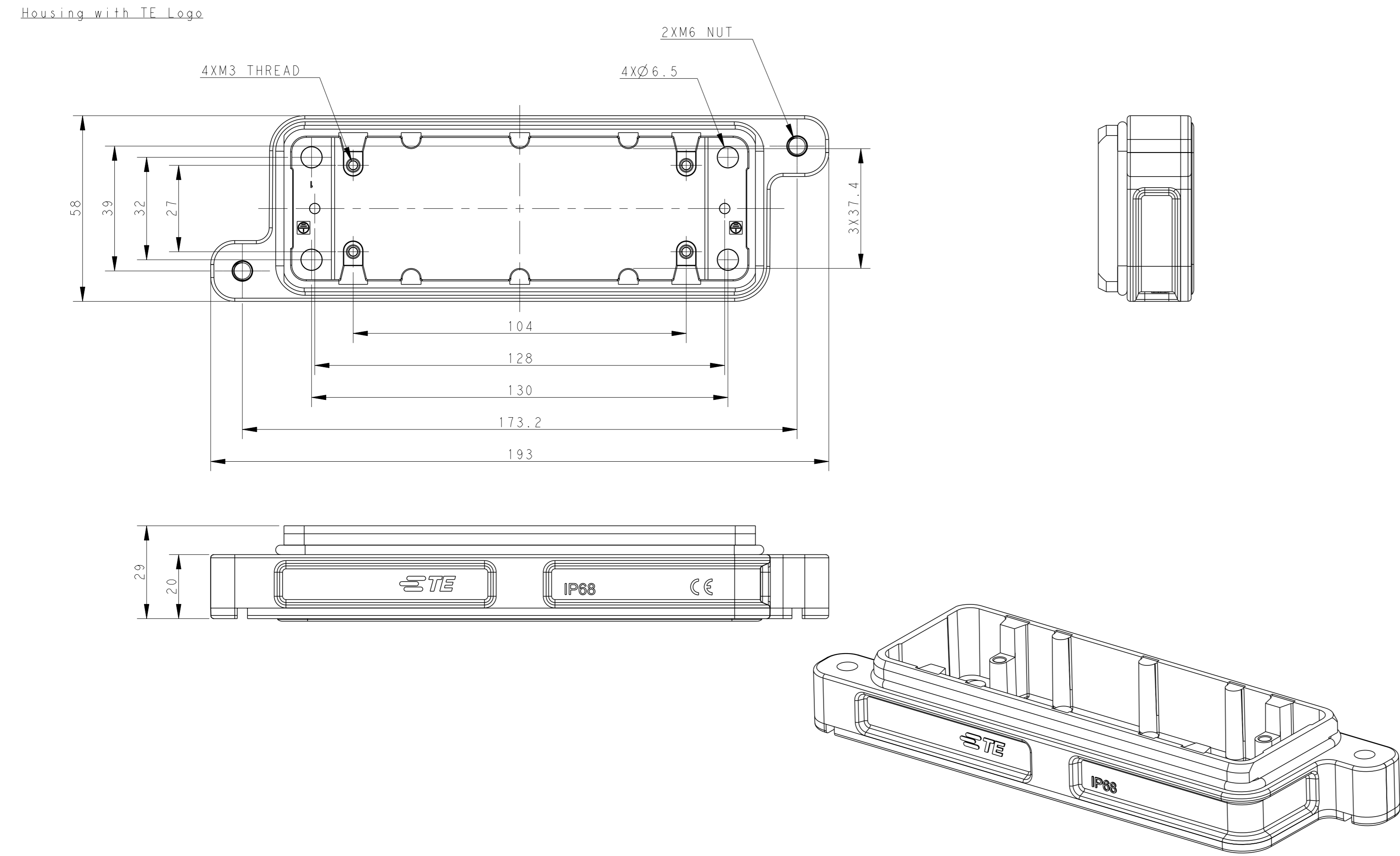
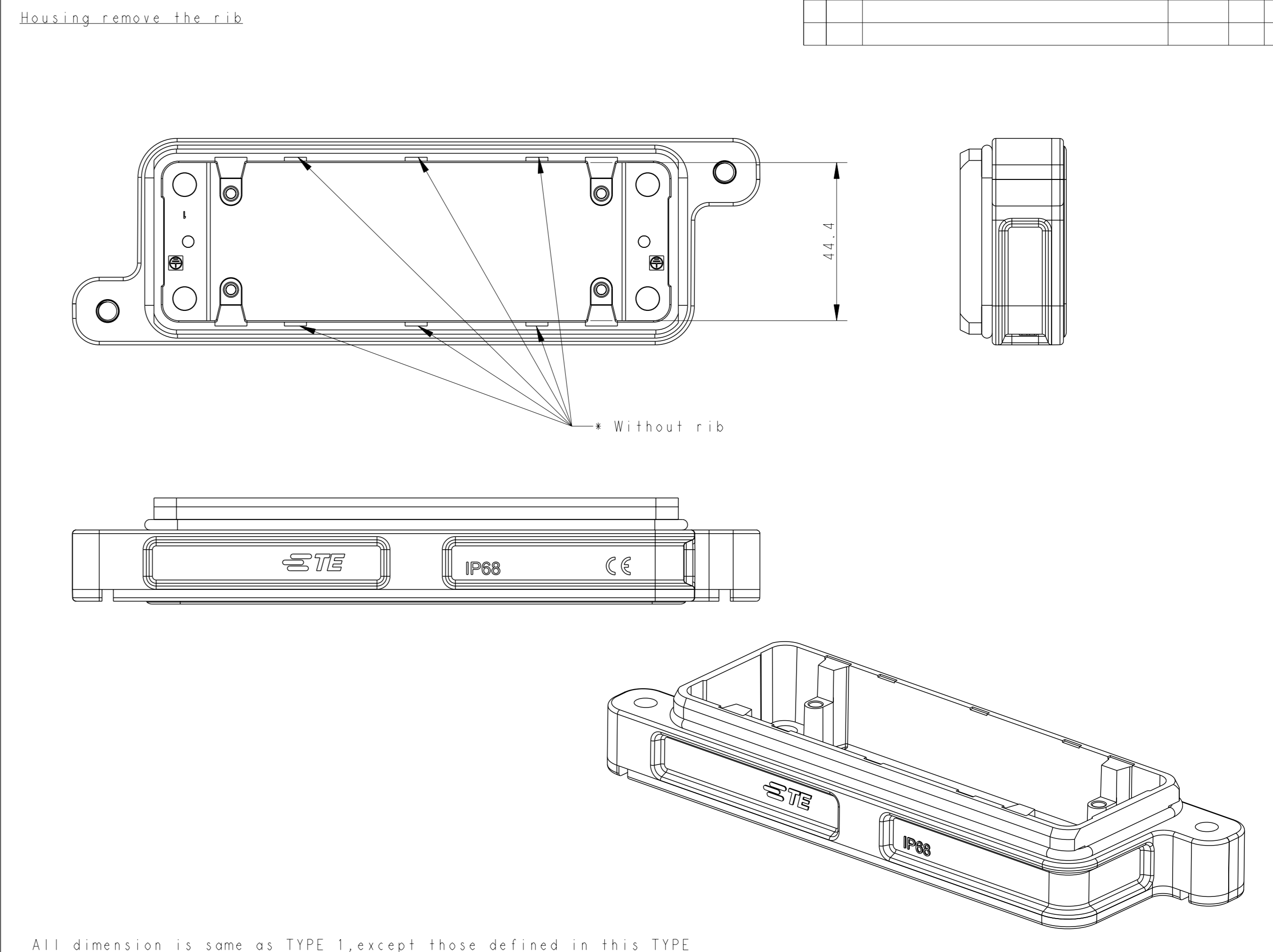


TYPE 1



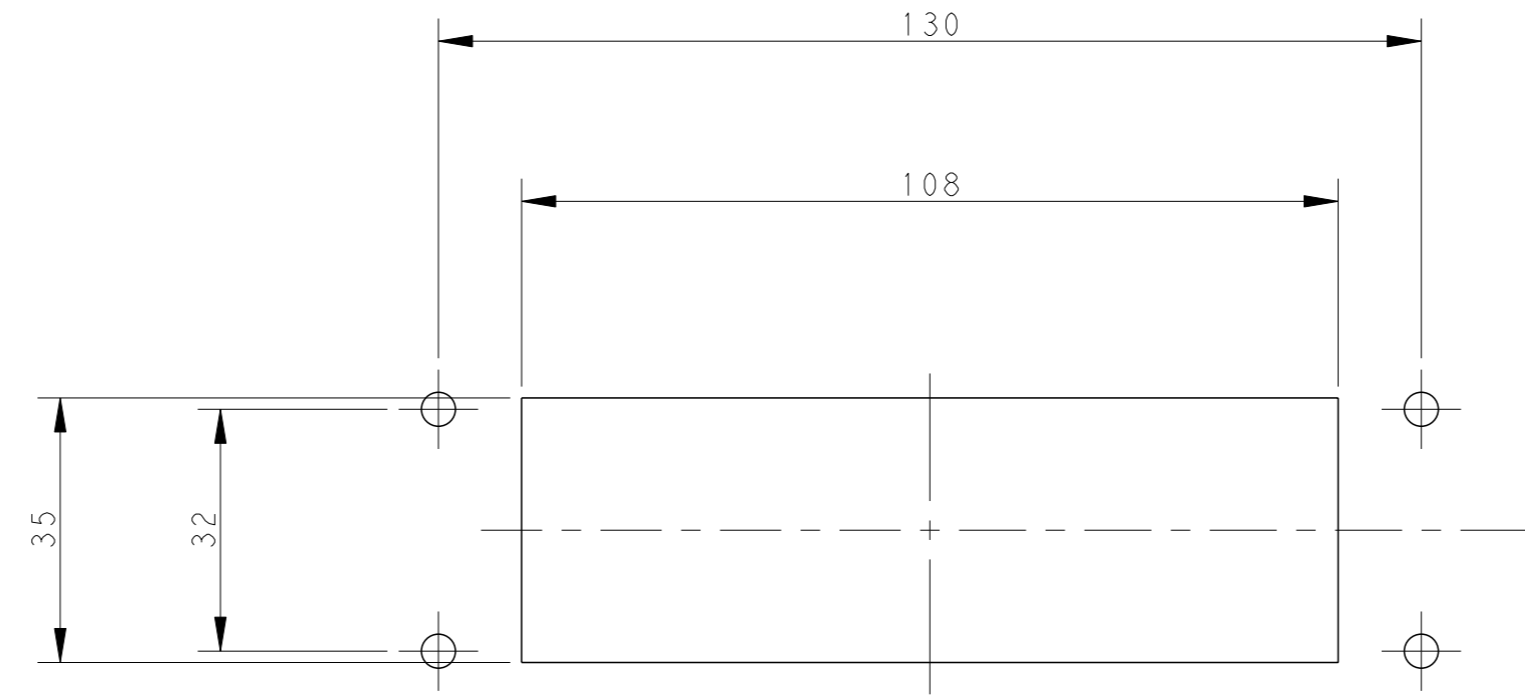
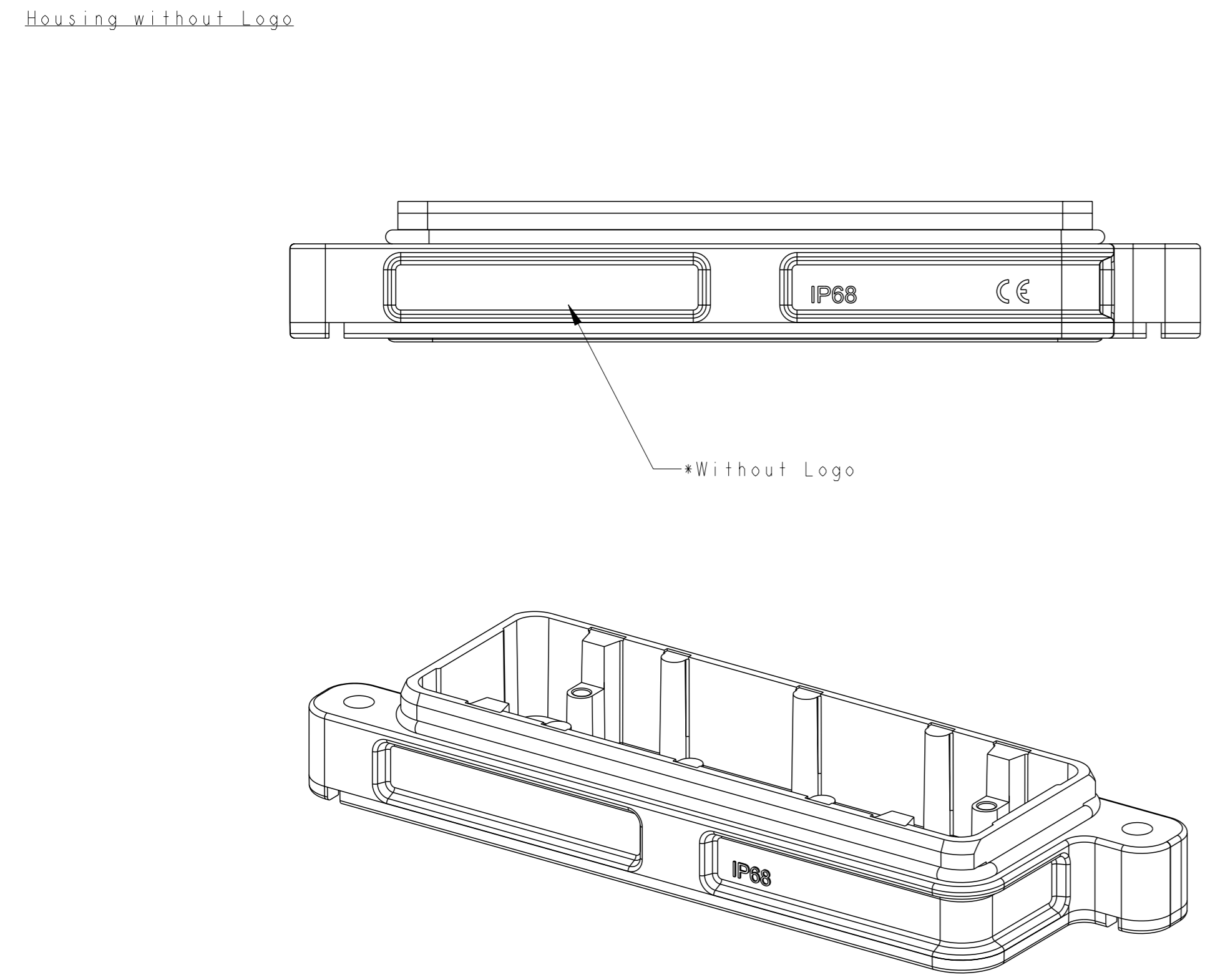
TYPE 3



REVISIONS				
P	LY#	DESCRIPTION	DATE	OWN APVD
A		INITIAL RELEASE	16 JUN2015	GY CW
B		ECR-20-014403	20MAY2021	BS CW

All dimension is same as TYPE 1, except those defined in this TYPE

TYPE 2



Panel Cut Out

NOTES:
 1. TECHNICAL CHARACTERISTICS:
 HOUSING MATERIAL: DIE CAST ALUMINIUM ALLOY
 SURFACE TREATMENT: SEE TABLE
 DEGREE OF PROTECTION: IP68 (MATED)

注释
 1. 技术参数:
 壳体材料: 铝合金
 表面处理: 见表格
 防护等级: IP68 (配合)

All dimension is same as TYPE 1, except those defined in this TYPE

PART NUMBER	SURFACE TREATMEN	DESCRIPTION	TYPE
T1930240100-000	POWDER COATED BLACK	H24BPR-AG	TYPE 3
T1930240000-100	POWDER COATED BLACK	H24BPR-AG	TYPE 2
T1930242000-000	POWDER COATED GRAY	H24BPR-AG	TYPE 1
T1930241000-000	POWDER COATED SILVER WHITE	H24BPR-AG	
T1930240000-000	POWDER COATED BLACK	H24BPR-AG	

THIS DRAWING IS A CONTROLLED DOCUMENT.		OWN: Gino Yao 16 JUN2015	TE Connectivity NAME: H24BPR-AG
DIMENSIONS:		CHK: Chris Wong 16 JUN2015	
TOLERANCES UNLESS OTHERWISE SPECIFIED:		APVD: Kiang Xu 16 JUN2015	
mm		PRODUCT SPEC	
0 PLC	±	108-137014	APPLICATION SPEC
2 PLC	±	114-137014	FINISH
3 PLC	±	WEIGHT	SCALE
4 PLC	±	Customer Drawing	1:1
ANGLES	±		SHEET 1 of 1
			REV B

Printed on 20 May 2021 16:34 (China Standard Time) from 1E238667