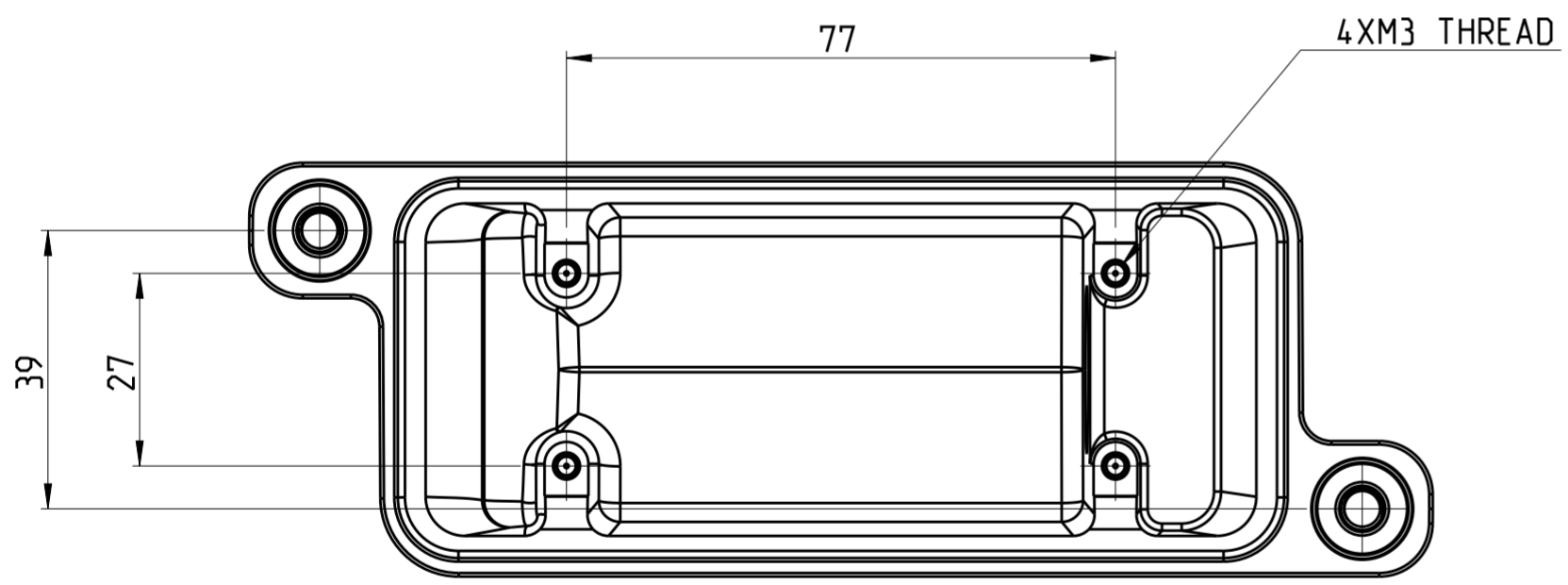
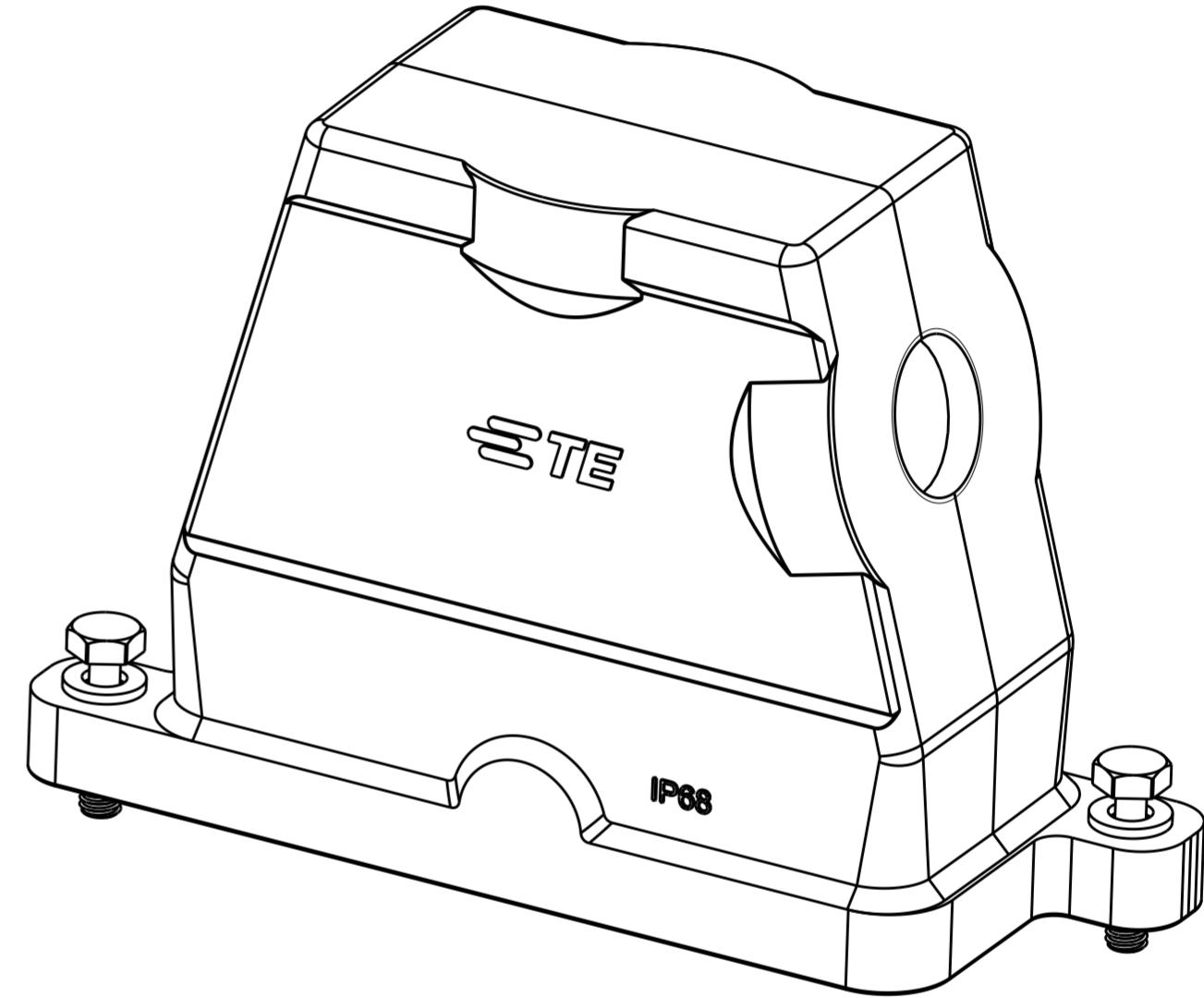
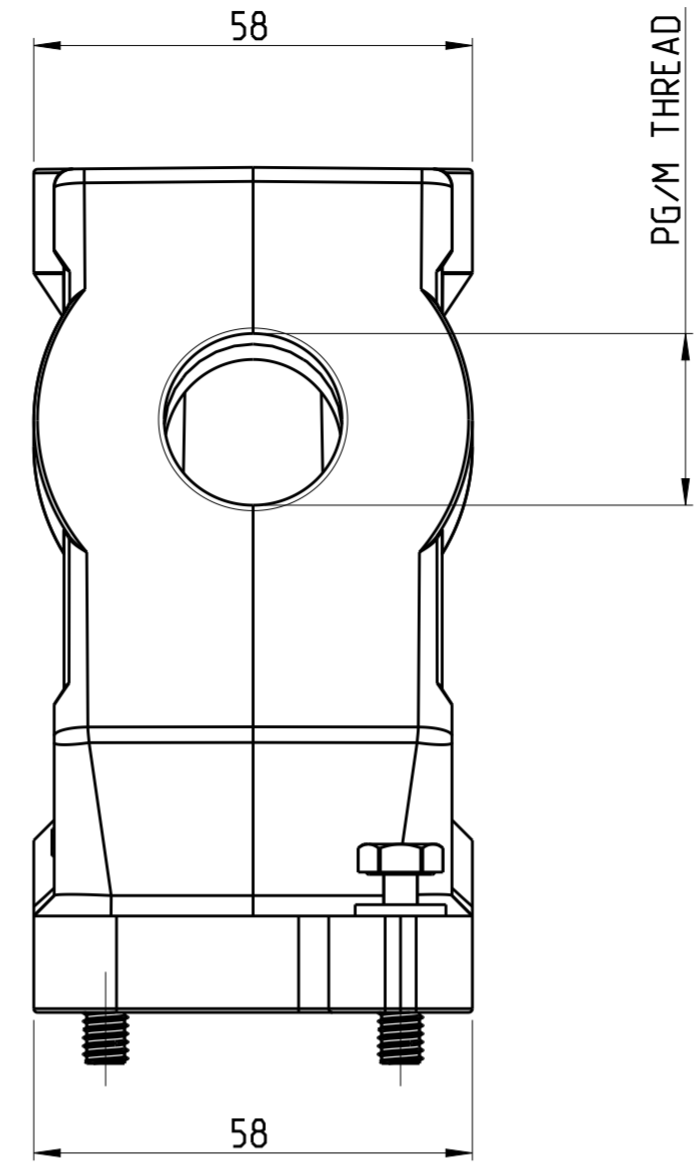
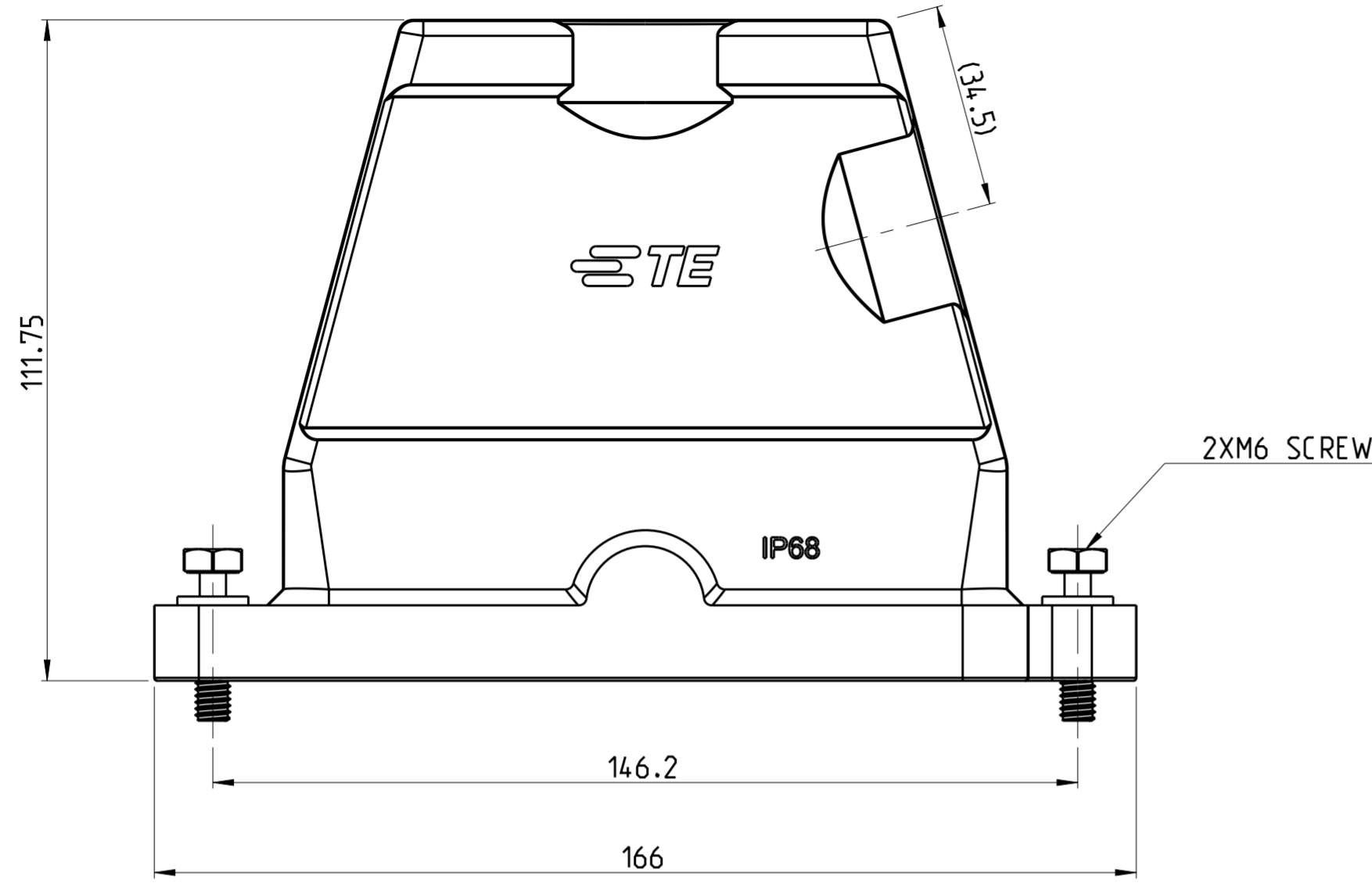


THIS DRAWING IS UNPUBLISHED. RELEASED FOR PUBLICATION 20  
 © COPYRIGHT 20 BY - ALL RIGHTS RESERVED.

REVISIONS				
P	LTR	DESCRIPTION	DATE	APVD
	A	INITIAL	26Feb2015	GY CW



NOTES:  
 1. TECHNICAL CHARACTERISTICS:  
 HOOD MATERIAL: DIE CAST ALUMINIUM ALLOY  
 SURFACE TREATMENT: SEE TABLE  
 OPERATION TEMPERATURE: -40°C~+125°C  
 DEGREE OF PROTECTION: IP68 (MATED)

注释  
 1. 技术参数:  
 壳体材料: 铝合金  
 表面处理: 见表格  
 工作温度: -40°C~+125°C  
 防护等级: IP68 (配合)

PART NUMBER	SURFACE TREATMENT	DESCRIPTION	THREAD PG/M
T1910161140-000	POWDER COATED SILVERGRAY RAL7001	H16BPR-TSH-M40	M40
T1910161136-000	POWDER COATED SILVERGRAY RAL7001	H16BPR-TSH-PG36	PG36
T1910161132-000	POWDER COATED SILVERGRAY RAL7001	H16BPR-TSH-M32	M32
T1910161129-000	POWDER COATED SILVERGRAY RAL7001	H16BPR-TSH-PG29	PG29
T1910161125-000	POWDER COATED SILVERGRAY RAL7001	H16BPR-TSH-M25	M25
T1910161121-000	POWDER COATED SILVERGRAY RAL7001	H16BPR-TSH-PG21	PG21
T1910160140-000	POWDER COATED BLACK RAL9005	H16BPR-TSH-M40	M40
T1910160136-000	POWDER COATED BLACK RAL9005	H16BPR-TSH-PG36	PG36
T1910160132-000	POWDER COATED BLACK RAL9005	H16BPR-TSH-M32	M32
T1910160129-000	POWDER COATED BLACK RAL9005	H16BPR-TSH-PG29	PG29
T1910160125-000	POWDER COATED BLACK RAL9005	H16BPR-TSH-M25	M25
T1910160121-000	POWDER COATED BLACK RAL9005	H16BPR-TSH-PG21	PG21

THIS DRAWING IS A CONTROLLED DOCUMENT.

DIMENSIONS: mm	TOLERANCES UNLESS OTHERWISE SPECIFIED:	DWN Gino.Yao 14Dec2014	TE Connectivity
	0 PLC ± 1 PLC ± 2 PLC ± 3 PLC ± 4 PLC ± ANGLES ± FINISH -	CHK Chris.Wang 14Dec2014	
		APVD Xiang.Xu 14Dec2014	
		PRODUCT SPEC 108-137014	
MATERIAL -	APPLICATION SPEC 114-137014	NAME H16BPR-TSH-PG/M	RESTRICTED TO -
-	WEIGHT -	SIZE A2	CAGE CODE -
-	Customer Drawing	DRAWING NO. C-T191016X1XX000	SCALE 1:1
		SHEET 1 OF 1	REV A