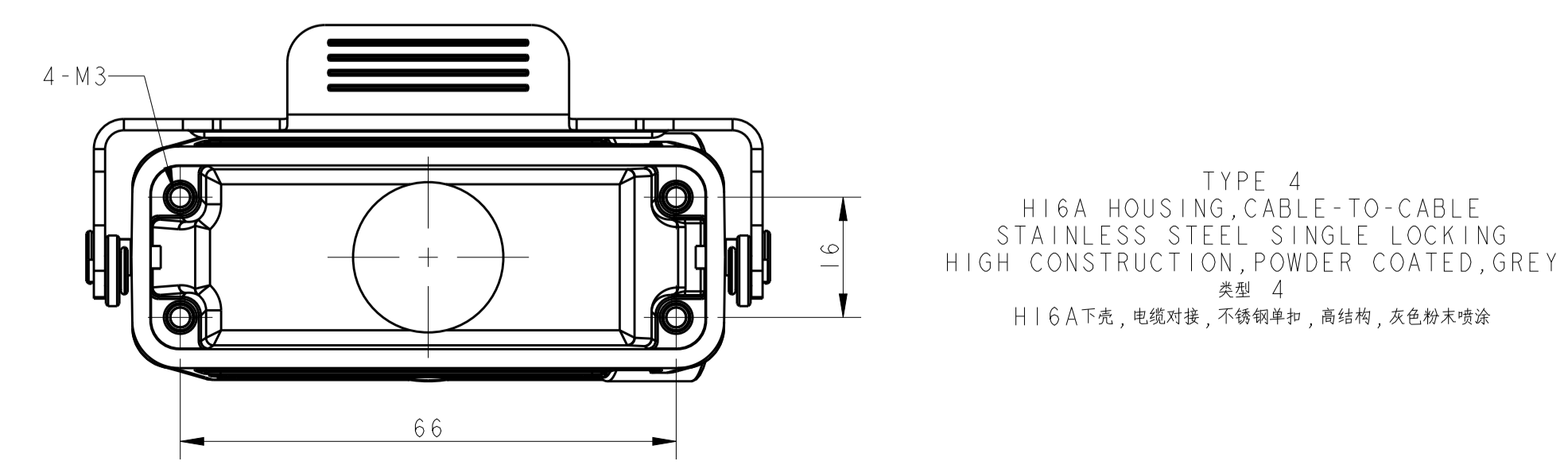
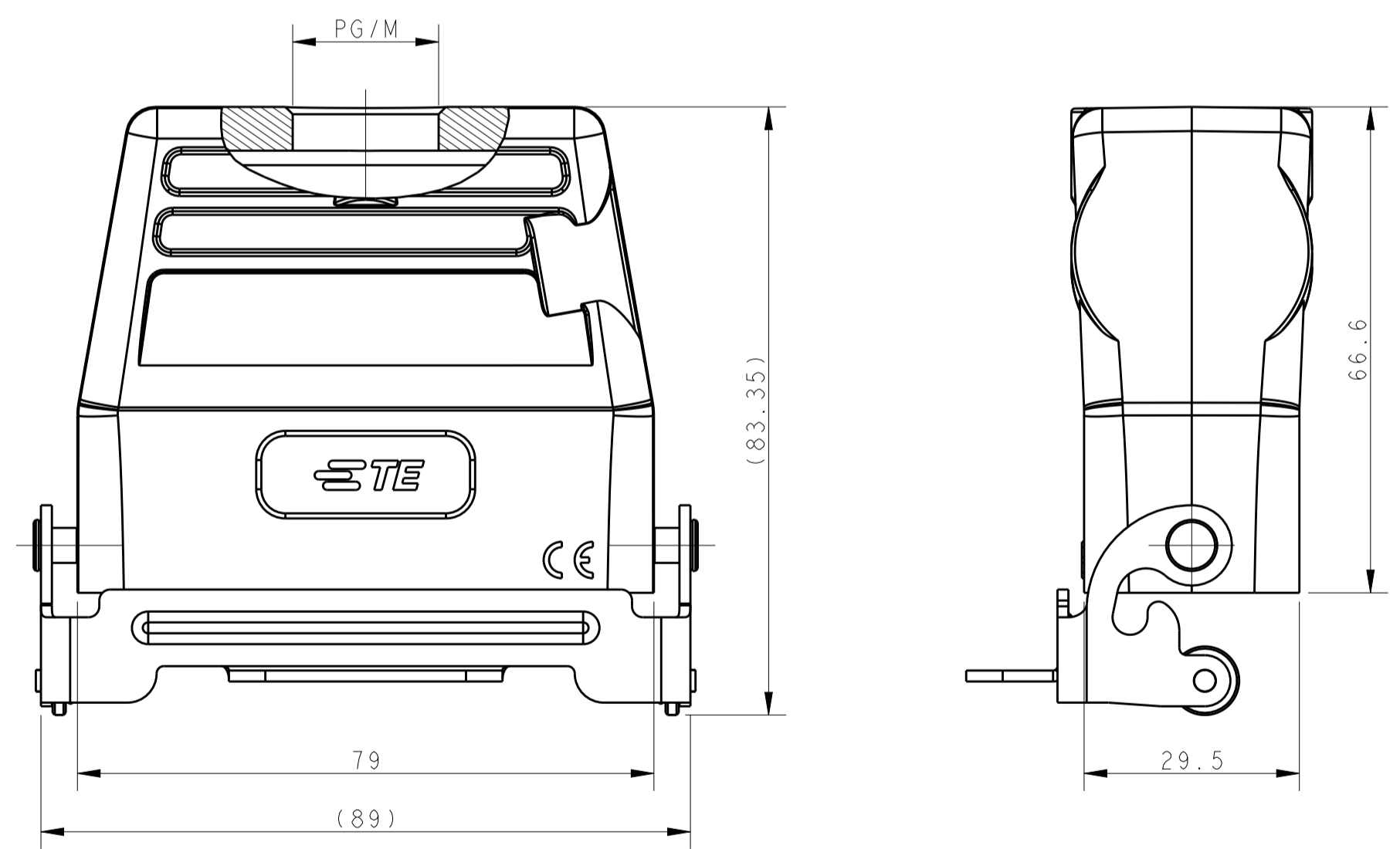
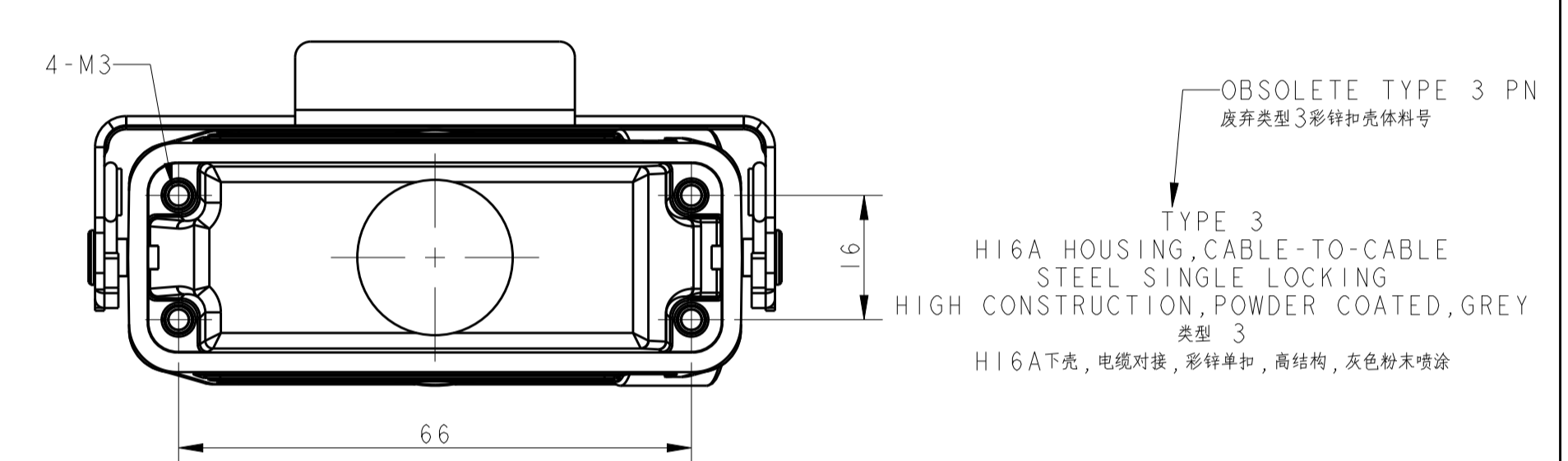
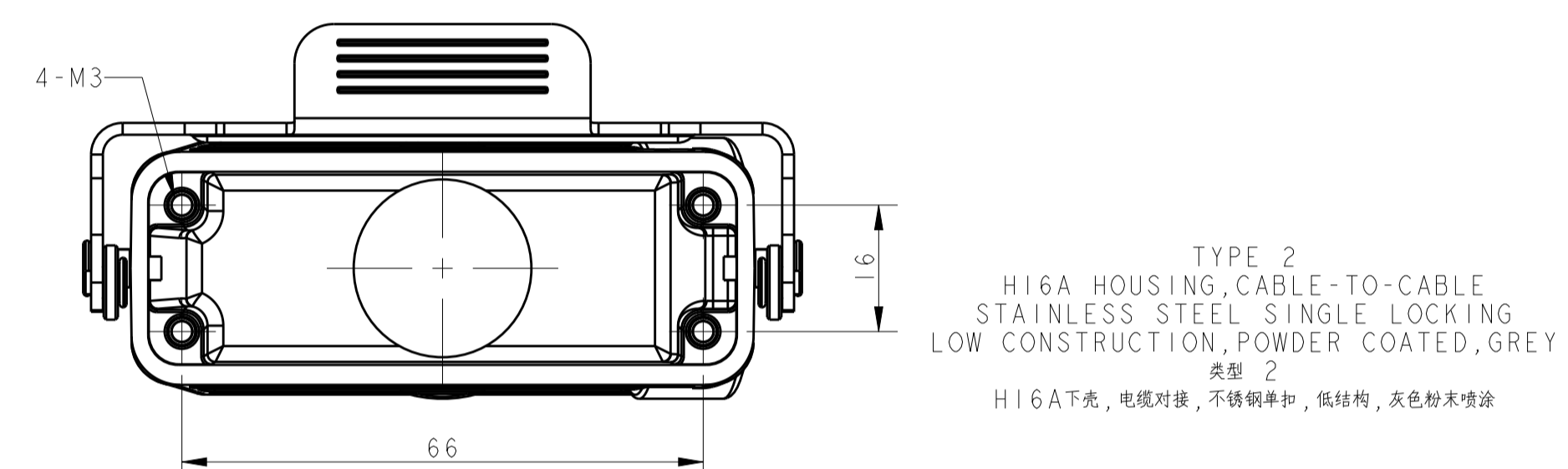
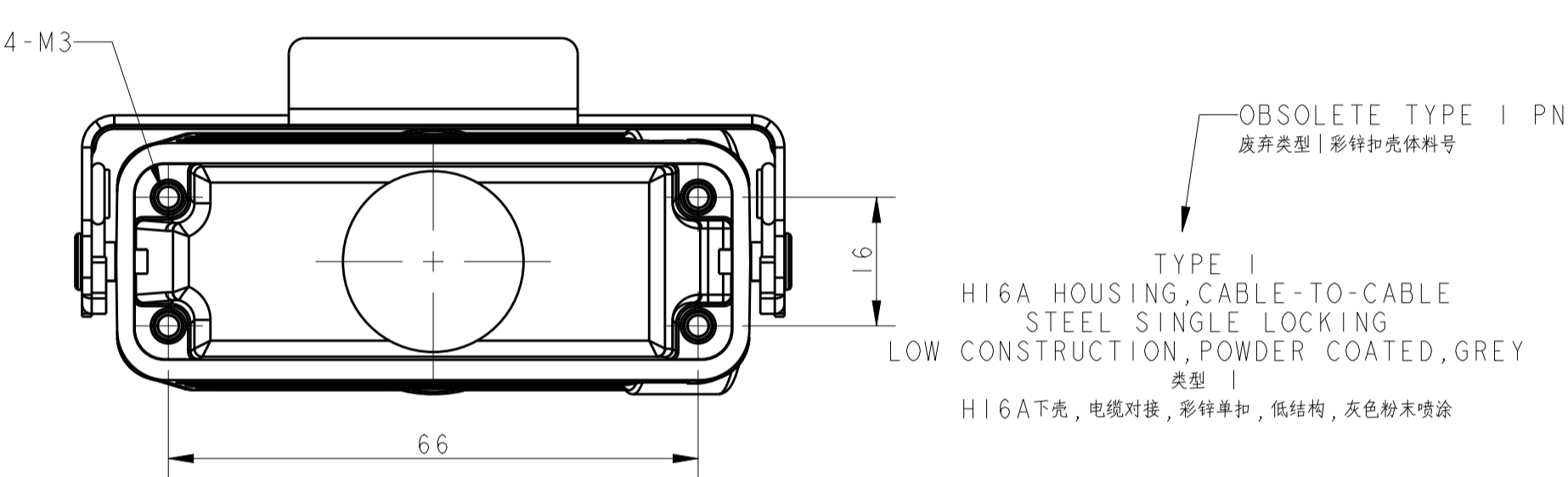
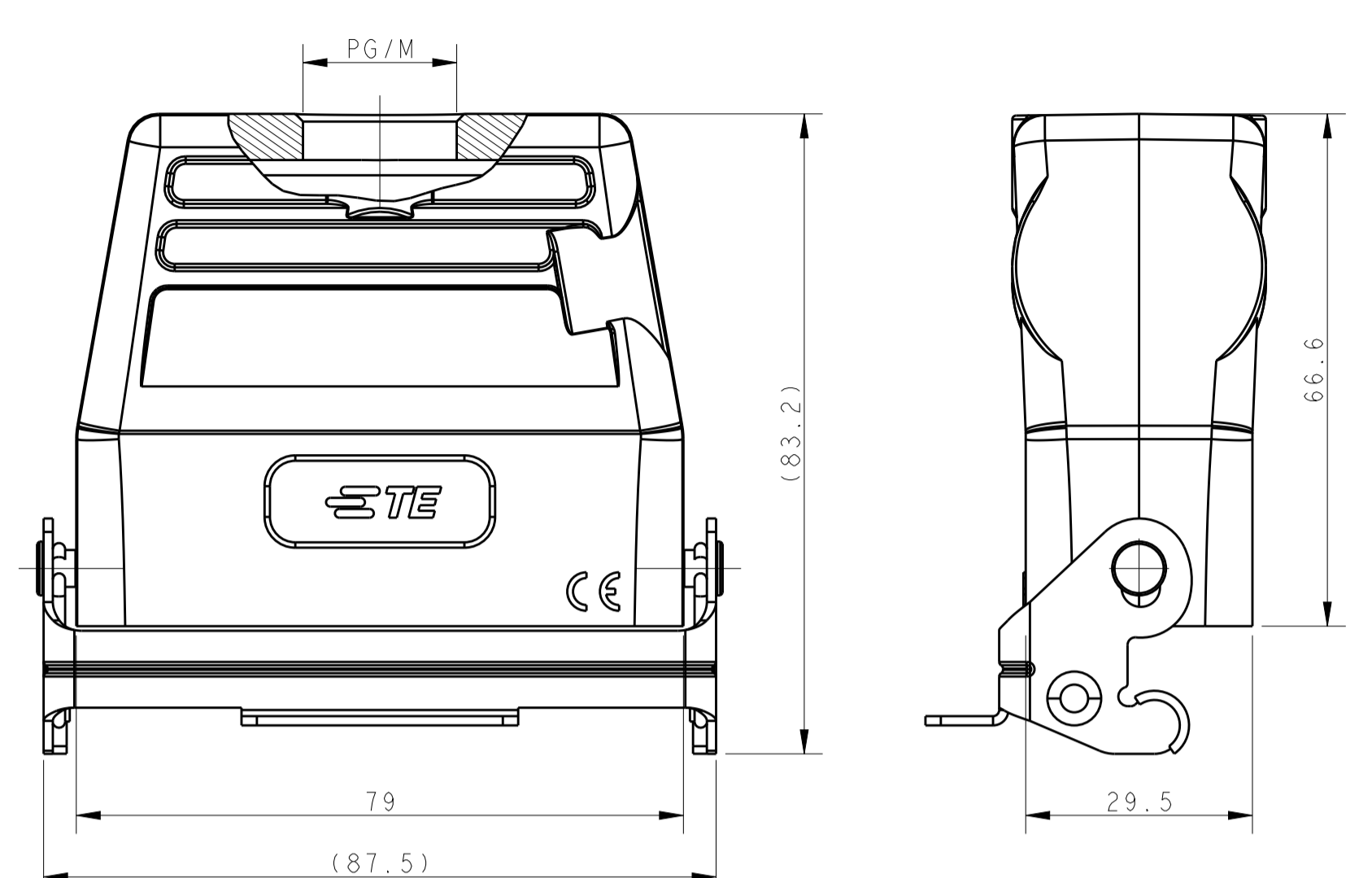
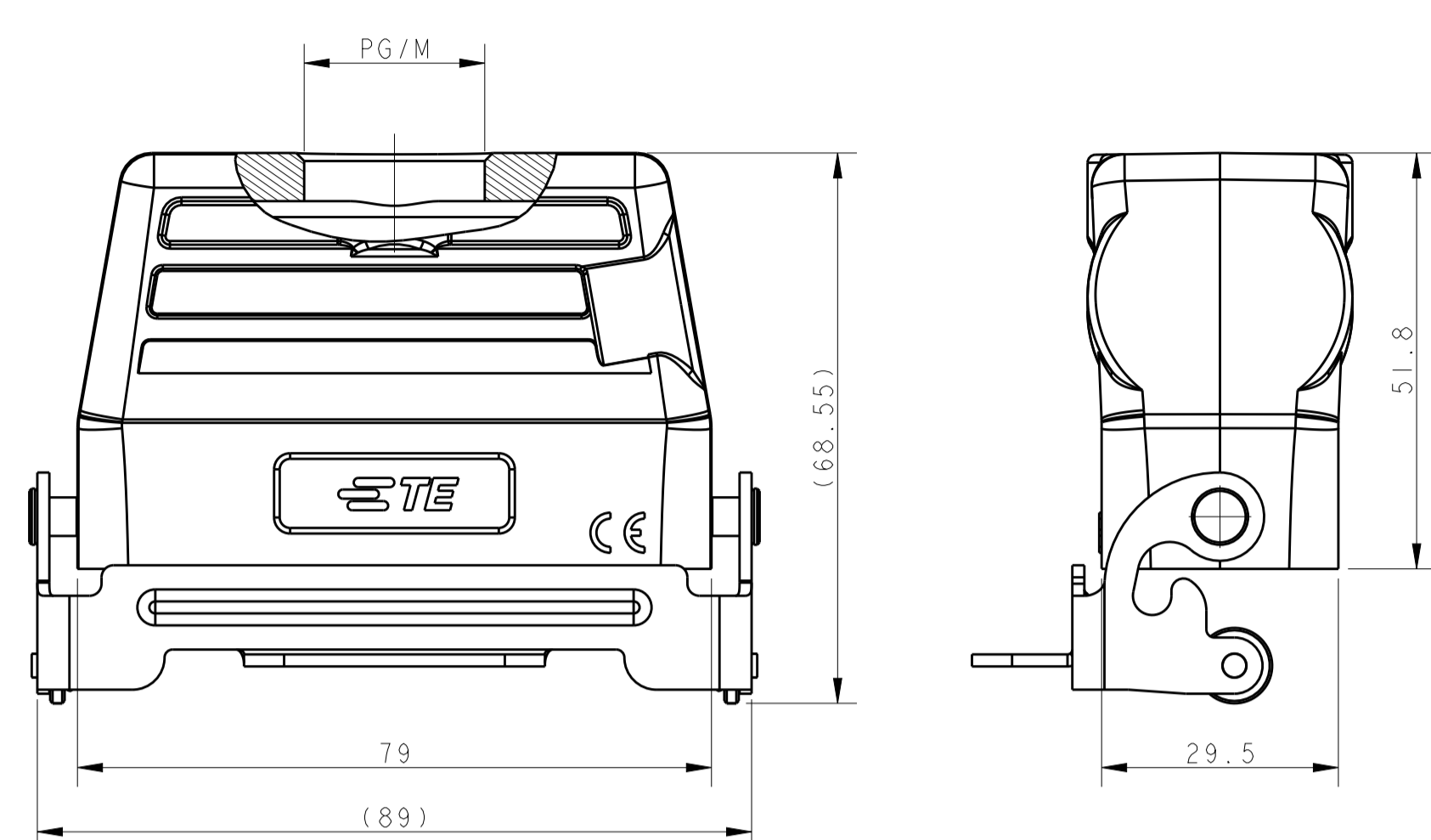
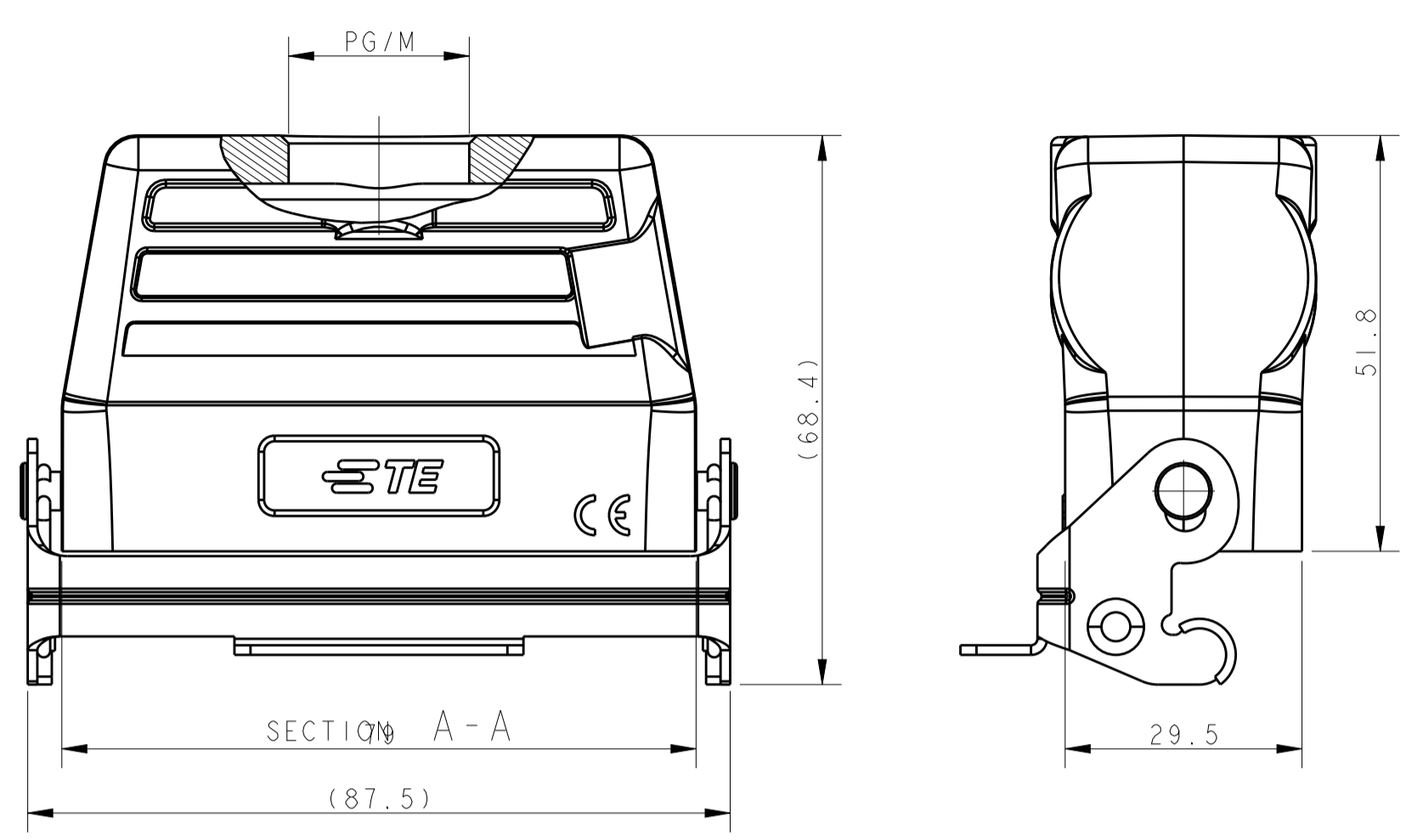


REVISIONS				
P.	LTN	DESCRIPTION	DATE	OWN APVD
A		INITIAL RELEASE	08MAY2015	DL CW
A1		ECR-16-018055	21DEC2016	DL CW
B		ECR-20-009510	28DEC2020	BS CW



OBSOLETE	PART NUMBER	PART DESCRIPTION	PG/M THREAD	TYPE
OBSOLETE	T1739160116-000	HI6A-TBF-PG16	PG16	TYPE 1
OBSOLETE	T1739160120-000	HI6A-TBF-M20	M20	
OBSOLETE	T1739160121-000	HI6A-TBF-PG21	PG21	
OBSOLETE	T1739160125-000	HI6A-TBF-M25	M25	
	T1739161116-000	HI6A-TBFS-PG16	PG16	TYPE 2
	T1739161120-000	HI6A-TBFS-M20	M20	
	T1739161121-000	HI6A-TBFS-PG21	PG21	
	T1739161125-000	HI6A-TBFS-M25	M25	
OBSOLETE	T1779160116-000	HI6A-TBFH-PG16	PG16	TYPE 3
OBSOLETE	T1779160120-000	HI6A-TBFH-M20	M20	
OBSOLETE	T1779160121-000	HI6A-TBFH-PG21	PG21	
OBSOLETE	T1779160125-000	HI6A-TBFH-M25	M25	
	T1779161116-000	HI6A-TBFHS-PG16	PG16	TYPE 4
	T1779161120-000	HI6A-TBFHS-M20	M20	
	T1779161121-000	HI6A-TBFHS-PG21	PG21	
	T1779161125-000	HI6A-TBFHS-M25	M25	

NOTES:
 1. TECHNICAL CHARACTERISTICS:
 BODY MATERIAL: DIE CAST ALUMINIUM ALLOY
 SURFACE TREATMENT: POWDER-COATED, GRAY
 DEGREE OF PROTECTION: IP65 (MATED)

注释:
 1. 技术参数:
 主体材料: 铝合金
 表面处理: 粉末喷涂, 灰色
 防护等级: IP65(配合)

THIS DRAWING IS A CONTROLLED DOCUMENT. OWN: DAVID LI 08MAY2015
 CHK: CHRIS WANG 08MAY2015
 APVD: XU XIANG 08MAY2015

DIMENSIONS: mm
 TOLERANCES UNLESS OTHERWISE SPECIFIED:
 0 PLC ±
 2 PLC ±
 3 PLC ±
 4 PLC ±
 ANGLES ±

MATERIAL: FINISH: WEIGHT: CUSTOMER DRAWING

PRODUCT SPEC: 108-137010
 APPLICATION SPEC: 114-137010

NAME: HI6A-TBF*/TBFH*-PG/M
 SIZE: A1
 CAGE CODE: DRAWING NO: C=T17X916XXXX000
 RESTRICTED TO: SCALE: 5:4 SHEET 1 OF 1 REV B

STE TE Connectivity