

THIS DRAWING IS UNPUBLISHED.

RELEASED FOR PUBLICATION

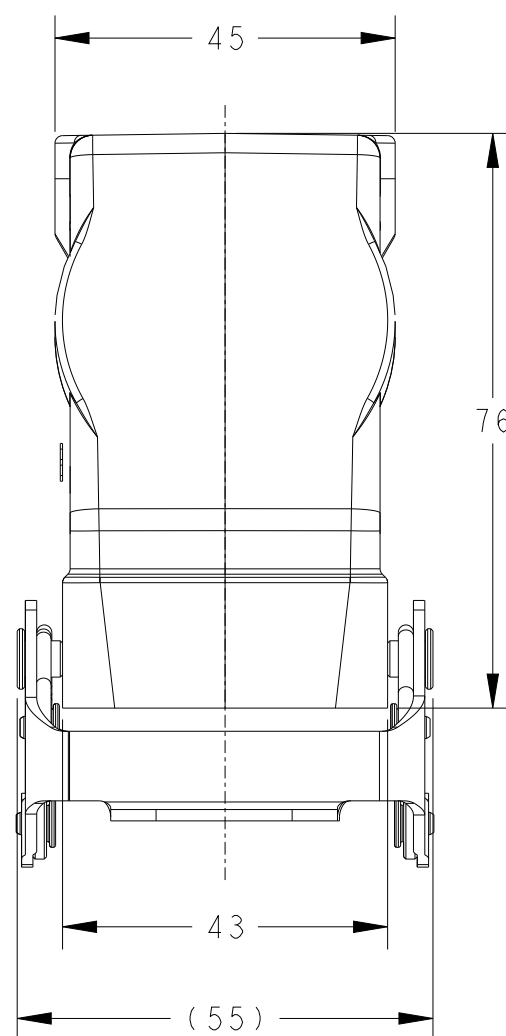
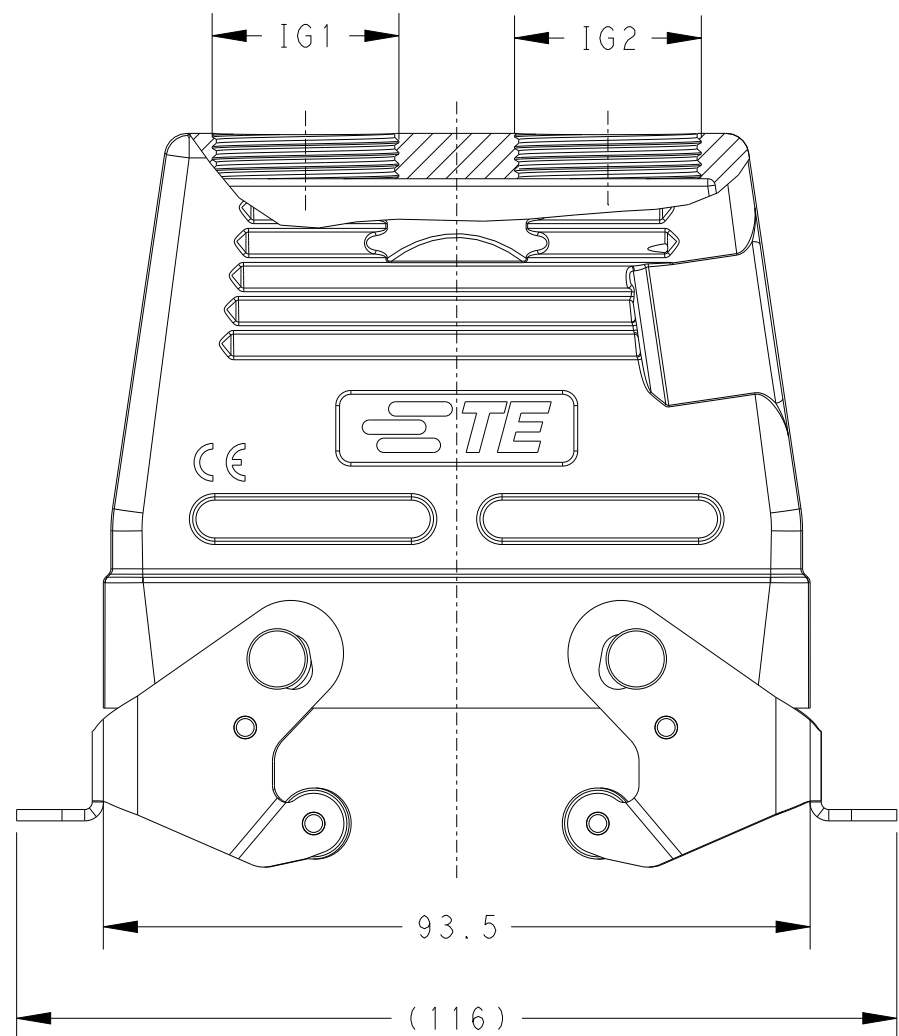
20

© COPYRIGHT 20 BY -

ALL RIGHTS RESERVED.

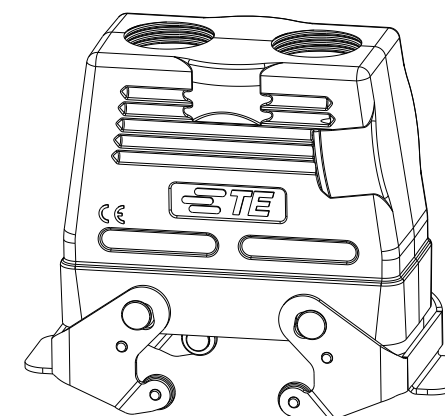
REVISIONS

P	LTR	DESCRIPTION	DATE	DWN	APVD
	A	INITIAL	26MAY2015	DW	CW
	B	ECR-20-008190	20AUG2020	WQR	CW
	B1	ECR-21-105138	29JUN2021	WQR	CW

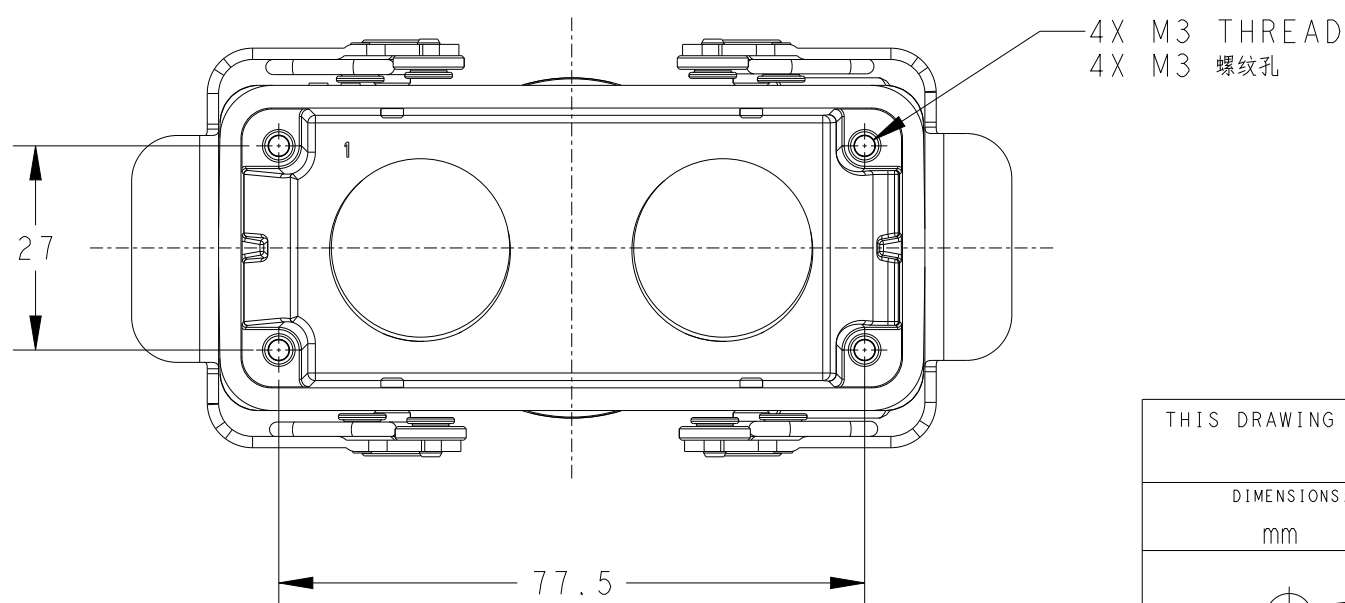


NOTES:  
 1. TECHNICAL CHARACTERISTICS:  
 HOOD MATERIAL: DIE CAST ALUMINIUM ALLOY  
 SURFACE: POWDER COATED, GREY  
 DEGREE OF PROTECTION: IP65 (MATED)


注释:  
 1. 技术参数:  
 上壳材料: 铝合金  
 表面处理: 粉末涂层, 灰色  
 防护等级: IP65(配合)



SCALE 1:2



T1280163216-000	H16B-TGBHS-2PG16	HIGH CONSTRUCTION	PG16	PG16
PART NUMBER	DESCRIPTION	TYPE	IG1	IG2

THIS DRAWING IS A CONTROLLED DOCUMENT.		DWN 26MAY2015 David Wang	 TE Connectivity											
DIMENSIONS: mm		CHK 26MAY2015 Chris Wang			NAME H16B-TGBHS-2PG16									
TOLERANCES UNLESS OTHERWISE SPECIFIED:		APVD 26MAY2015 Xiang Xu												
<table border="0"> <tr><td>0 PLC</td><td>±-</td></tr> <tr><td>1 PLC</td><td>±-</td></tr> <tr><td>2 PLC</td><td>±-</td></tr> <tr><td>3 PLC</td><td>±-</td></tr> <tr><td>4 PLC</td><td>±-</td></tr> <tr><td>ANGLES</td><td>±-</td></tr> </table>		0 PLC			±-	1 PLC	±-	2 PLC	±-	3 PLC	±-	4 PLC	±-	ANGLES
0 PLC	±-													
1 PLC	±-													
2 PLC	±-													
3 PLC	±-													
4 PLC	±-													
ANGLES	±-													
MATERIAL	FINISH	APPLICATION SPEC 114-137013	SIZE A3	CAGE CODE 00779	DRAWING NO C-T1280163216000	RESTRICTED TO -								
		WEIGHT -	SCALE 1:1		SHEET 1 OF 1	REV B1								
		Customer Drawing												