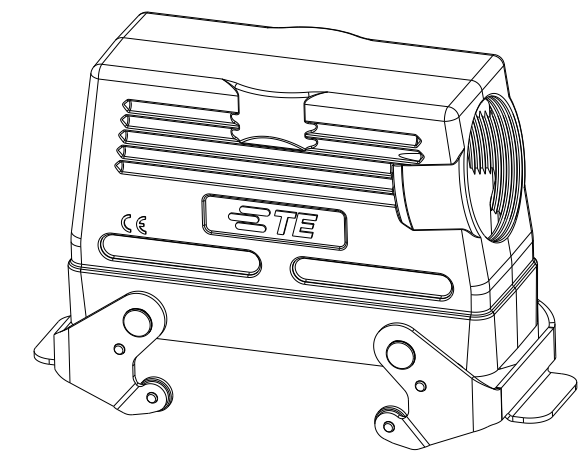
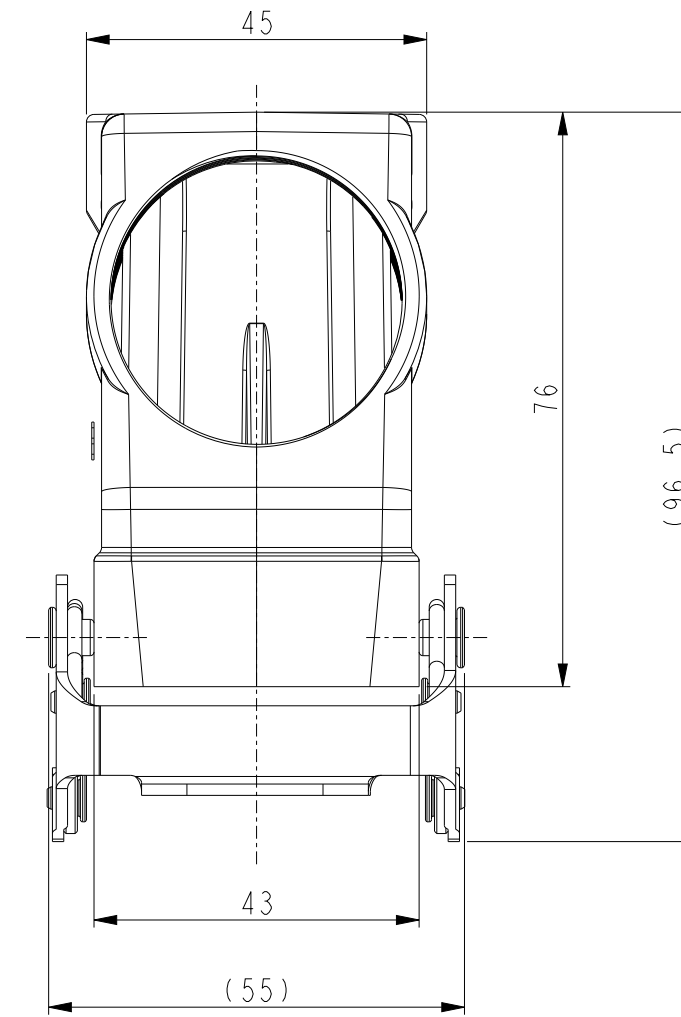
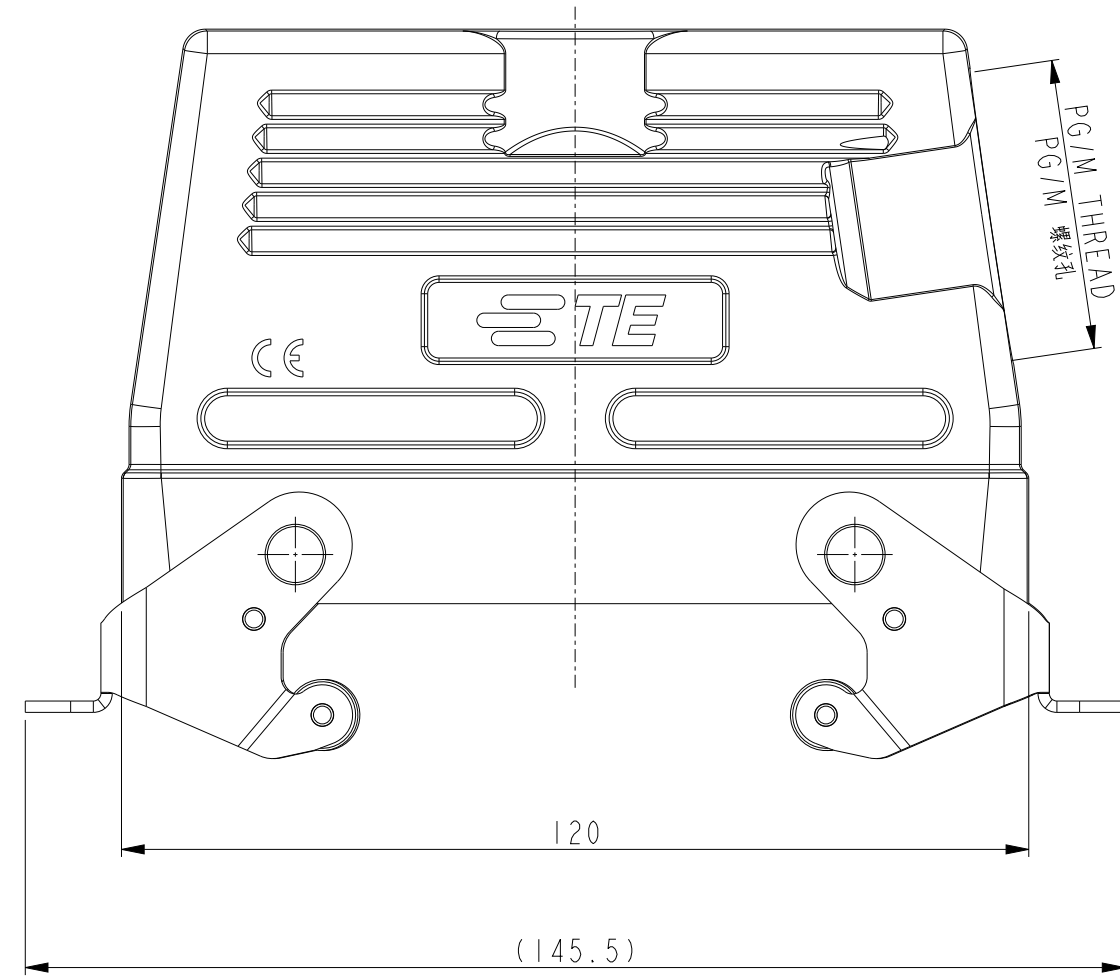


THIS DRAWING IS UNPUBLISHED. RELEASED FOR PUBLICATION 20
 © COPYRIGHT 20 BY - ALL RIGHTS RESERVED.

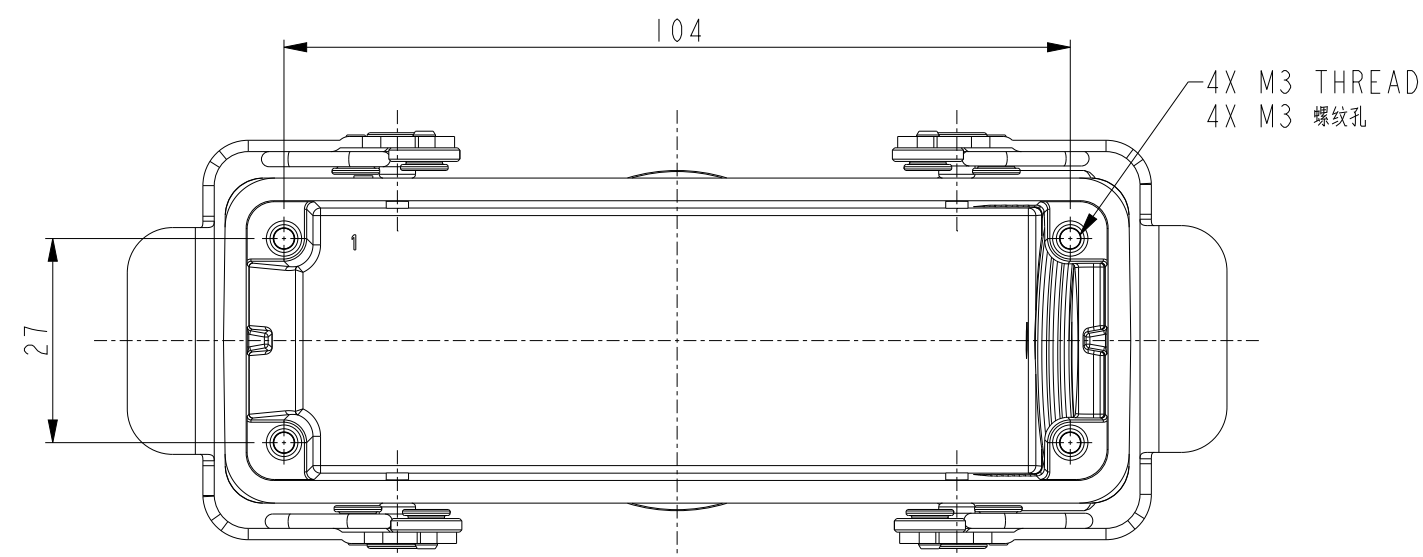
REVISIONS					
P	LTR	DESCRIPTION	DATE	DWN	APVD
	A	INITIAL	19NOV2014	DW	CW
	A1	ECR-17-016096	01NOV2017	CH	CW
	A2	ECR-18-000021	03JAN2018	CH	CW
	B	ECR-20-014876	10NOV2020	WOR	CW

NOTES:
 1. TECHNICAL CHARACTERISTICS:
 HOOD MATERIAL: DIE CAST ALUMINIUM ALLOY
 SURFACE: POWDER COATED, GREY
 DEGREE OF PROTECTION: IP65 (MATED)

注释:
 1. 技术参数:
 上壳材料: 铝合金
 表面处理: 灰色粉末涂层
 防护等级: IP65(配合)



SCALE 1:2



PART NUMBER 料号	PART DESCRIPTION 描述	PG/M THREAD PG/M 螺纹孔
T1270247121-000	H24B HOOD, SIDE ENTRY PG21, STAINLESS STEEL DOUBLE LOCKING, HIGH CONSTRUCTION, POWDER COATED WITH INSIDE AND OUTSIDE, GREY H24B上壳, 侧出PG21, 不锈钢双扣, 高结构, 灰色粉末里外喷涂	PG21
T1270243140-000	H24B HOOD, SIDE ENTRY M40, STAINLESS STEEL DOUBLE LOCKING, HIGH CONSTRUCTION, POWDER COATED, GREY H24B上壳, 侧出M40, 不锈钢双扣, 高结构, 灰色粉末喷涂	M40
T1270243132-000	H24B HOOD, SIDE ENTRY M32, STAINLESS STEEL DOUBLE LOCKING, HIGH CONSTRUCTION, POWDER COATED, GREY H24B上壳, 侧出M32, 不锈钢双扣, 高结构, 灰色粉末喷涂	M32
T1270243129-000	H24B HOOD, SIDE ENTRY PG29, STAINLESS STEEL DOUBLE LOCKING, HIGH CONSTRUCTION, POWDER COATED, GREY H24B上壳, 侧出PG29, 不锈钢双扣, 高结构, 灰色粉末喷涂	PG29
T1270243125-000	H24B HOOD, SIDE ENTRY M25, STAINLESS STEEL DOUBLE LOCKING, HIGH CONSTRUCTION, POWDER COATED, GREY H24B上壳, 侧出M25, 不锈钢双扣, 高结构, 灰色粉末喷涂	M25
T1270243121-000	H24B HOOD, SIDE ENTRY PG21, STAINLESS STEEL DOUBLE LOCKING, HIGH CONSTRUCTION, POWDER COATED, GREY H24B上壳, 侧出PG21, 不锈钢双扣, 高结构, 灰色粉末喷涂	PG21

THIS DRAWING IS A CONTROLLED DOCUMENT.

DWN	DAVID.WANG	19NOV2014
CHK	CHRIS.WANG	19NOV2014
APVD	XIANG.XU	19NOV2014

TE Connectivity

NAME: H24B-TSBHS-PG/M

PRODUCT SPEC: 108-137013

APPLICATION SPEC: 114-137013

SIZE: A2

CAGE CODE: -

DRAWING NO: C-T12702431XX000

RESTRICTED TO: -

Customer Drawing

SCALE: 1:1

SHEET: 1 OF 1

REV: B