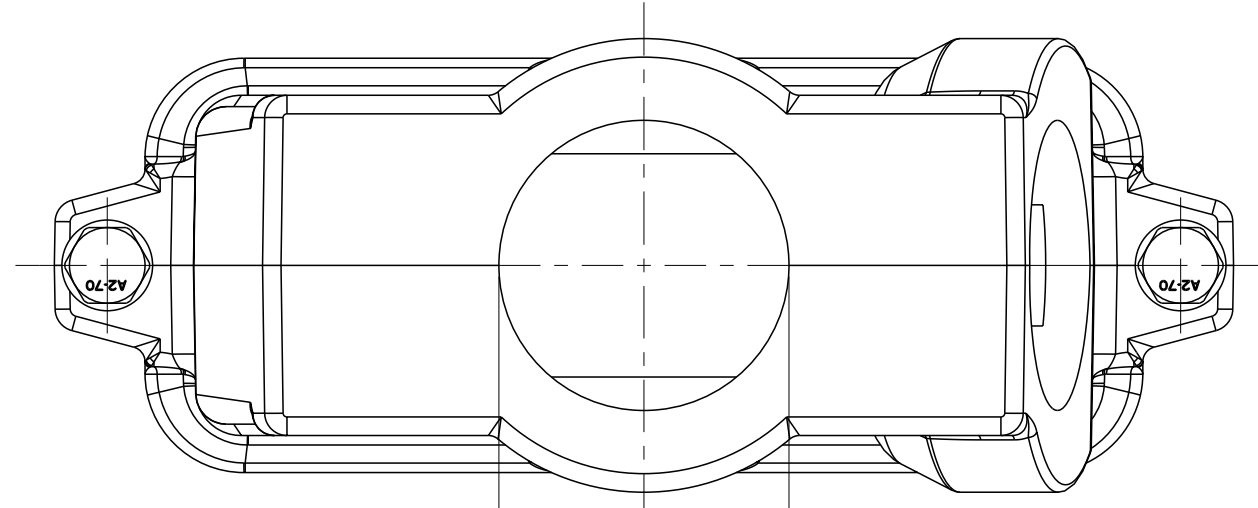
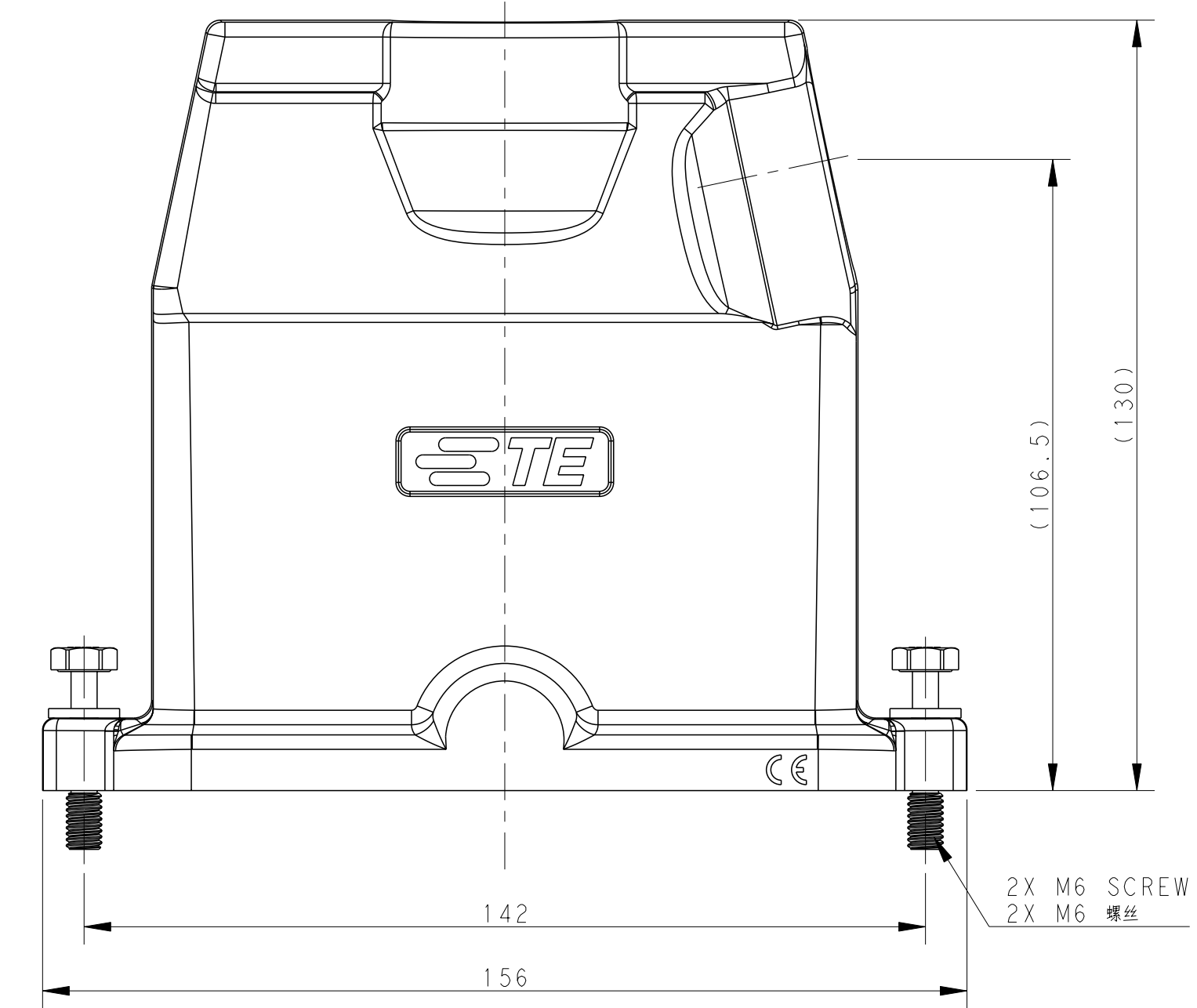


THIS DRAWING IS UNPUBLISHED. RELEASED FOR PUBLICATION 20
 © COPYRIGHT 20 BY - ALL RIGHTS RESERVED.

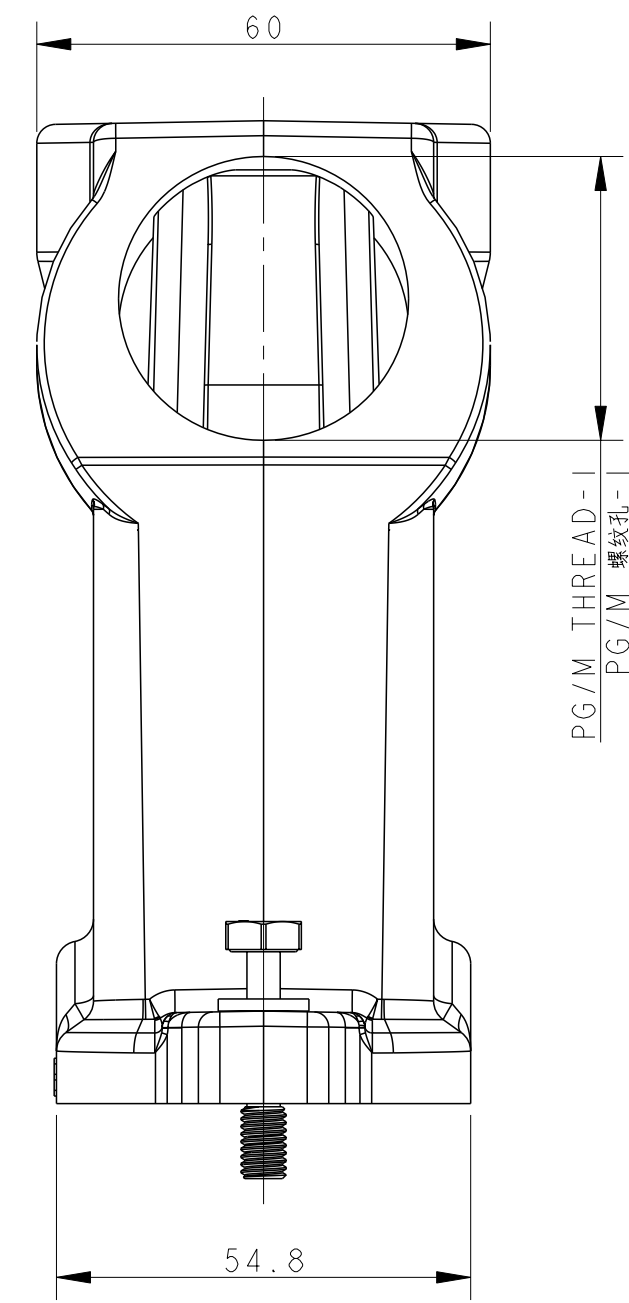
REVISIONS					
P	LTR	DESCRIPTION	DATE	DWN	APVD
A		INITIAL RELEASE	24OCT2016	DW	CW
B		ECR-20-016312	03JUN2021	BS	CW



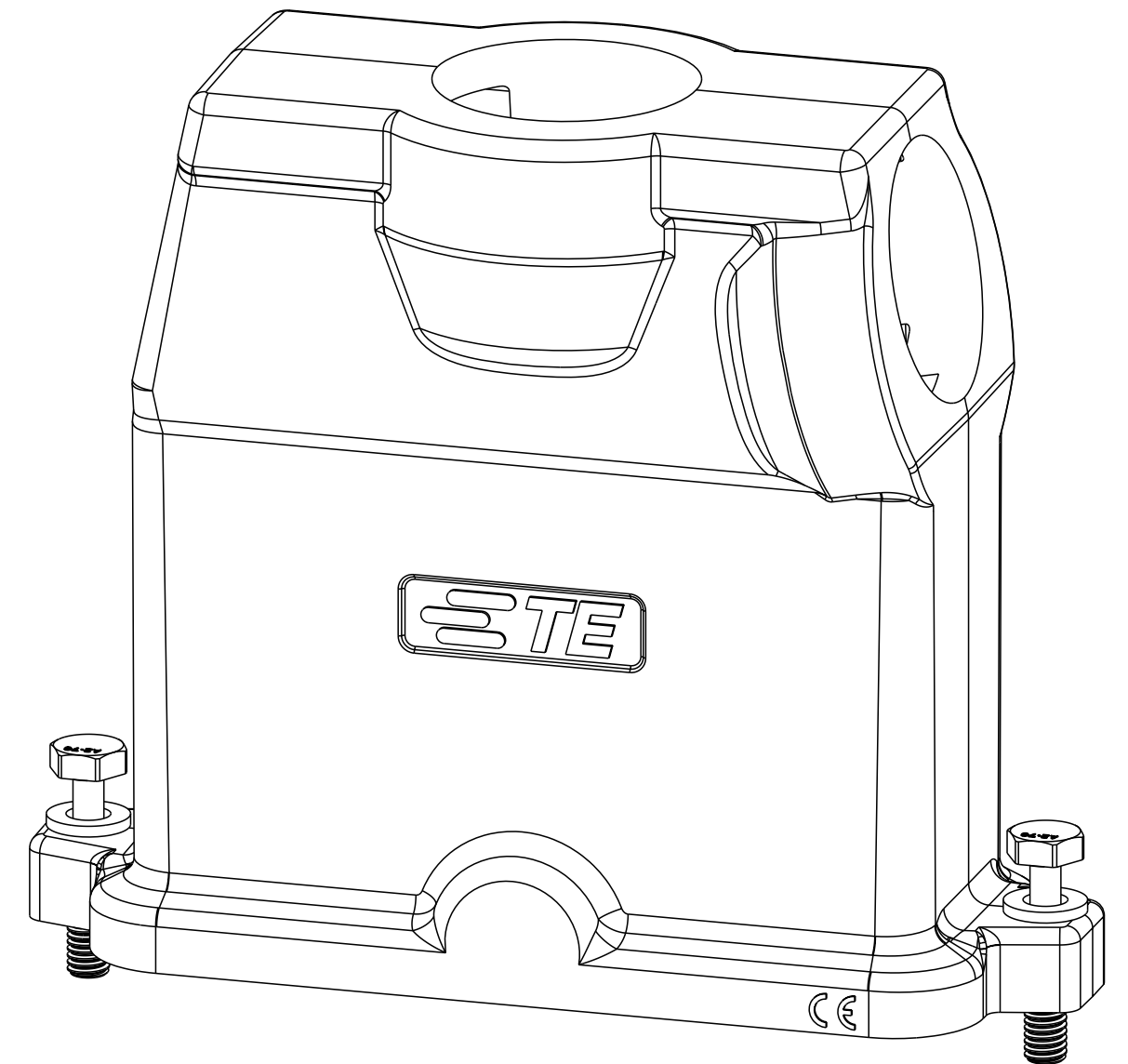
PG/M THREAD-2
 PG/M 螺纹孔-2



2X M6 SCREW
 2X M6 螺丝

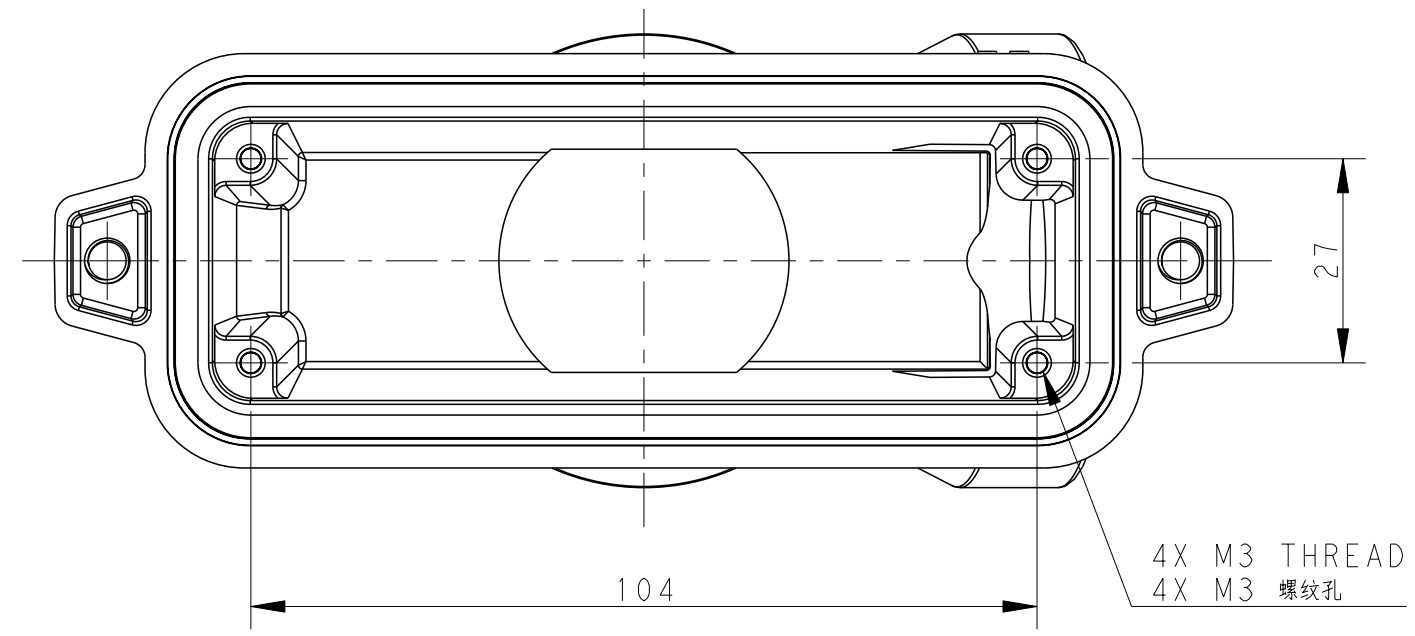


PG/M THREAD-1
 PG/M 螺纹孔-1



NOTES:
 1. TECHNICAL CHARACTERISTICS:
 HOOD MATERIAL: DIE CAST ALUMINIUM ALLOY
 SURFACE: SEE TABLE
 DEGREE OF PROTECTION: IP68 (MATED)

注释
 1. 技术参数:
 壳体材料: 铝合金
 表面处理: 见表格
 防护等级: IP68 (配合)



4X M3 THREAD
 4X M3 螺纹孔

THIS DRAWING IS A CONTROLLED DOCUMENT.		DWN 24OCT2016 DAVID WANG	TE Connectivity	
DIMENSIONS: mm		CHK 24OCT2016 CHRIS WANG		
TOLERANCES UNLESS OTHERWISE SPECIFIED:		APVD 24OCT2016 XIANG XU	NAME H24BPR-H130-TG/SHC-PG/M-EMC-C	
0 PLC ±- 1 PLC ±- 2 PLC ±- 3 PLC ±- 4 PLC ±- ANGLES ±- FINISH -		PRODUCT SPEC 108-137191	SIZE A2	CAGE CODE -
MATERIAL -		APPLICATION SPEC 114-137191	DRAWING NO C-T108224XXXX009	RESTRICTED TO -
		WEIGHT -	SCALE 1:1	SHEET 1 OF 2
		Customer Drawing	REV B	


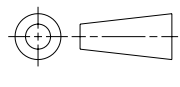
Printed on 7 Jun 2021 15:20 (China Standard Time) from TE236667

THIS DRAWING IS UNPUBLISHED. RELEASED FOR PUBLICATION 20
 © COPYRIGHT 20 BY - ALL RIGHTS RESERVED.

REVISIONS				
P	LTR	DESCRIPTION	DATE	APVD
-		SEE SHEET 1	-	-

NOTES:
SEE SHEET 1

T1082244032-009	H24BPR-H130-TG/SHC-M40/M32-EMC-C	H24BPR HIGH CONSTRUCTURE HOOD,CENTER LOCKING, TOP ENTRY M40, SIDE ENTRY M32, POWDER COATED, GREY H24BPR中部锁定高结构顶出M40, 侧出M32上壳 灰色	M40	M32
T1082243240-009	H24BPR-H130-TG/SHC-M32/M40-EMC-C	H24BPR HIGH CONSTRUCTURE HOOD,CENTER LOCKING, TOP ENTRY M32, SIDE ENTRY M40, POWDER COATED, GREY H24BPR中部锁定高结构顶出M32, 侧出M40上壳 灰色	M32	M40
T1082242240-009	H24BPR-H130-TG/SHC-2M40-EMC-C	H24BPR HIGH CONSTRUCTURE HOOD,CENTER LOCKING, TOP/SIDE ENTRY M40, POWDER COATED, GREY H24BPR中部锁定高结构顶出/侧出M40上壳 灰色	M40	M40
T1082242232-009	H24BPR-H130-TG/SHC-2M32-EMC-C	H24BPR HIGH CONSTRUCTURE HOOD,CENTER LOCKING, TOP/SIDE ENTRY M32, POWDER COATED, GREY H24BPR中部锁定高结构顶出/侧出M32上壳 灰色	M32	M32
T1082241240-009	H24BPR-H130-TG/SHC-2M40-EMC-C	H24BPR HIGH CONSTRUCTURE HOOD,CENTER LOCKING, TOP/SIDE ENTRY M40, POWDER COATED, SILVER WHITE H24BPR中部锁定高结构顶出/侧出M40上壳 银白色	M40	M40
T1082241232-009	H24BPR-H130-TG/SHC-2M32-EMC-C	H24BPR HIGH CONSTRUCTURE HOOD,CENTER LOCKING, TOP/SIDE ENTRY M32, POWDER COATED, SILVER WHITE H24BPR中部锁定高结构顶出/侧出M32上壳 银白色	M32	M32
T1082244032-109	H24BPR-H130-TG/SHC-M40/M32-EMC-C	H24BPR HIGH CONSTRUCTURE HOOD,CENTER LOCKING, TOP ENTRY M40, SIDE ENTRY M32, POWDER COATED, BLACK H24BPR中部锁定高结构顶出M40, 侧出M32上壳 黑色	M40	M32
T1082243240-109	H24BPR-H130-TG/SHC-M32/M40-EMC-C	H24BPR HIGH CONSTRUCTURE HOOD,CENTER LOCKING, TOP ENTRY M32, SIDE ENTRY M40, POWDER COATED, BLACK H24BPR中部锁定高结构顶出M32, 侧出M40上壳 黑色	M32	M40
T1082240240-009	H24BPR-H130-TG/SHC-2M40-EMC-C	H24BPR HIGH CONSTRUCTURE HOOD,CENTER LOCKING, TOP/SIDE ENTRY M40, POWDER COATED, BLACK H24BPR中部锁定高结构顶出/侧出M40上壳 黑色	M40	M40
T1082240232-009	H24BPR-H130-TG/SHC-2M32-EMC-C	H24BPR HIGH CONSTRUCTURE HOOD,CENTER LOCKING, TOP/SIDE ENTRY M32, POWDER COATED, BLACK H24BPR中部锁定高结构顶出/侧出M32上壳 黑色	M32	M32
PART NUMBER 料号	DESCRIPTION 描述		PG/M THREAD-2 PG/M 螺纹-2	PG/M THREAD-1 PG/M 螺纹-1

THIS DRAWING IS A CONTROLLED DOCUMENT.		DWN DAVID WANG 24OCT2016	 TE Connectivity	
DIMENSIONS: mm		CHK CHRIS WANG 24OCT2016		
TOLERANCES UNLESS OTHERWISE SPECIFIED:		APVD XIANG XU 24OCT2016	NAME H24BPR-H130-TG/SHC-PG/M-EMC-C	
		PRODUCT SPEC 108-137191	RESTRICTED TO	
MATERIAL		APPLICATION SPEC 114-137191	SIZE A2	CAGE CODE
-		WEIGHT	DRAWING NO G-T108224XXXX009	
-		Customer Drawing		SCALE 1:1 SHEET 2 OF 2 REV B

Printed on 7 Jun 2021 15:20 (China Standard Time) from IE236667