

SPD Installation Guide

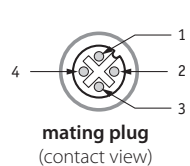
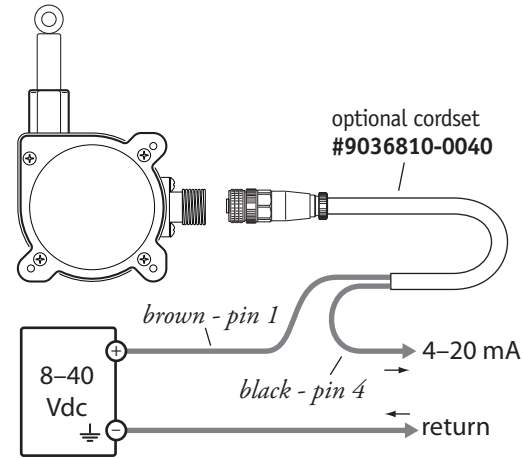
Includes: SPD-4-3, SPD-12-3, SPD-25-3 & SPD-50-3



measurement SPECIALTIES
20630 Plummer St.
Chatsworth, CA 91330
(818) 701-2750

Electrical Connection

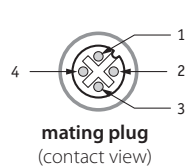
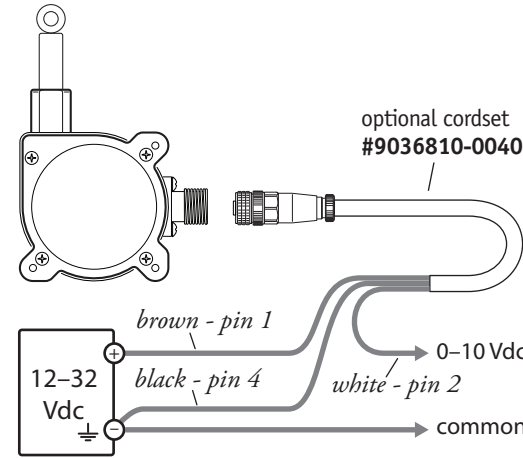
4–20 mA Output



Pin#	Description
1	V+ (8-40 Vdc)
2	n/c
3	n/c
4	Output Signal (4-20mA)

Electrical Connection

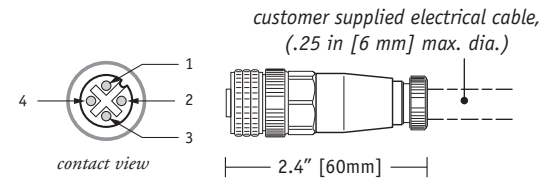
0–10 Vdc Output



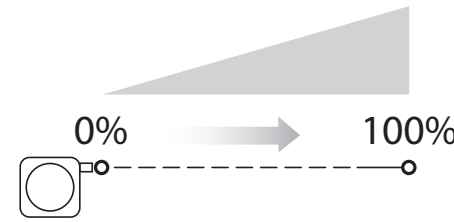
Pin#	Description
1	V+ (12-32 Vdc)
2	Output Signal (0-10Vdc)
3	n/c
4	Common

Electrical Connector

included M12 mating plug

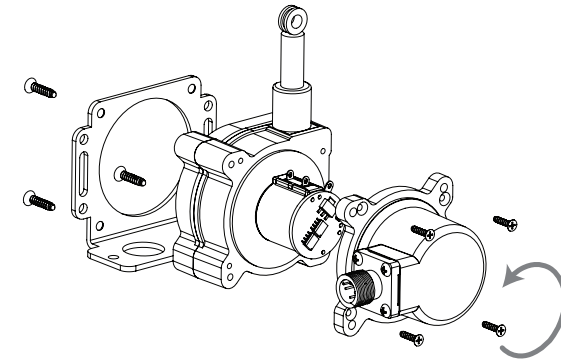


Output Signal



Output	0% fs.	100% fs.
4...20 mA	4 – 4.25 mA	19.2 – 20 mA
0...10 Vdc	0 – .2 Vdc	9.5 – 10 Vdc

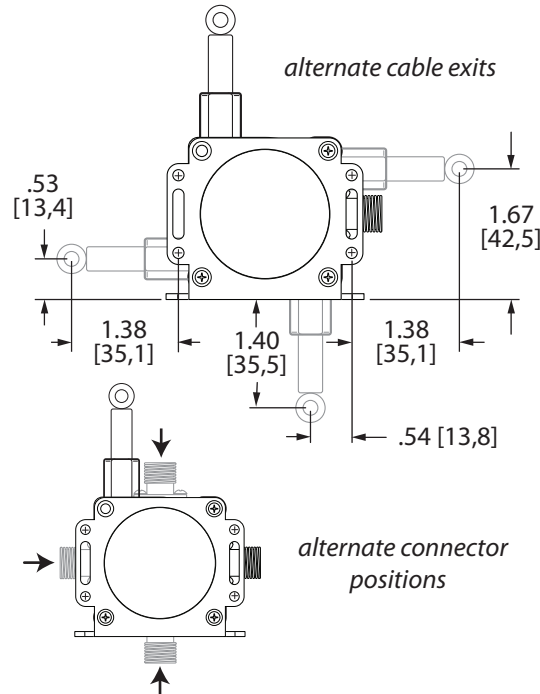
Cable Exit/Connector Direction



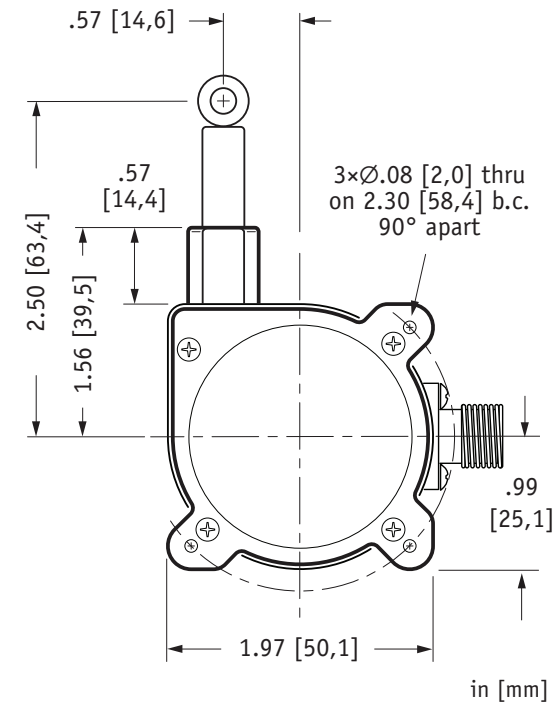
To change cable exit direction, simply remove the 3 mounting bracket screws and rotate sensor body to 1 of 4 options.

To change connector direction, remove the 4 cover screws and carefully rotate to desired direction.

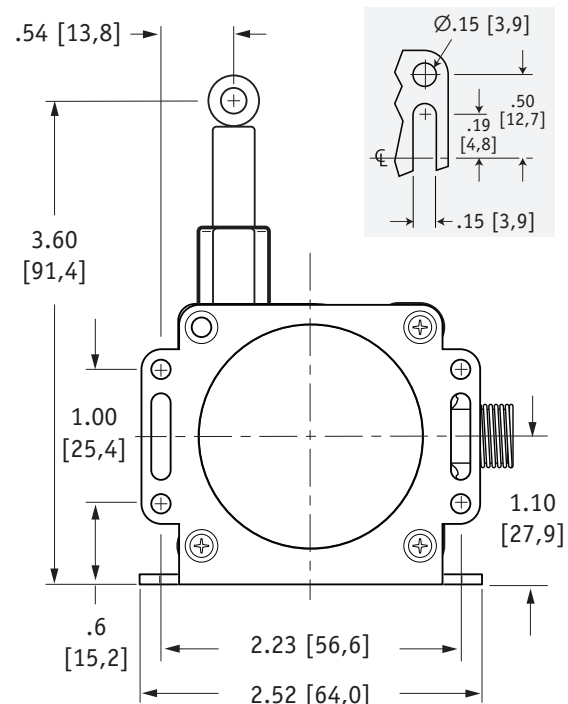
alternate installation



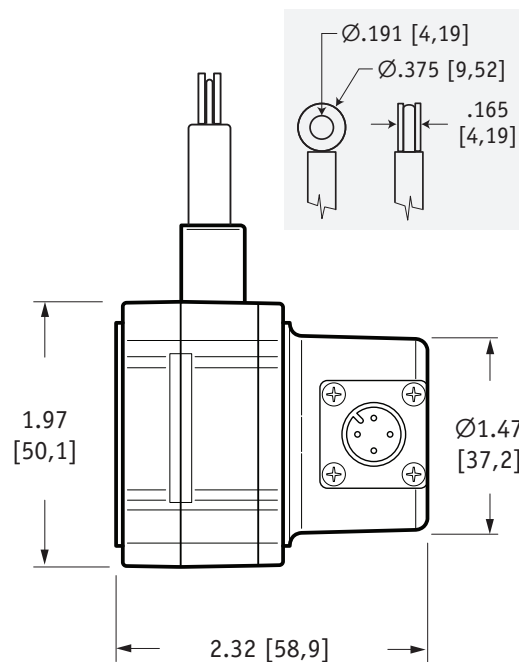
Front View (w/o bracket)



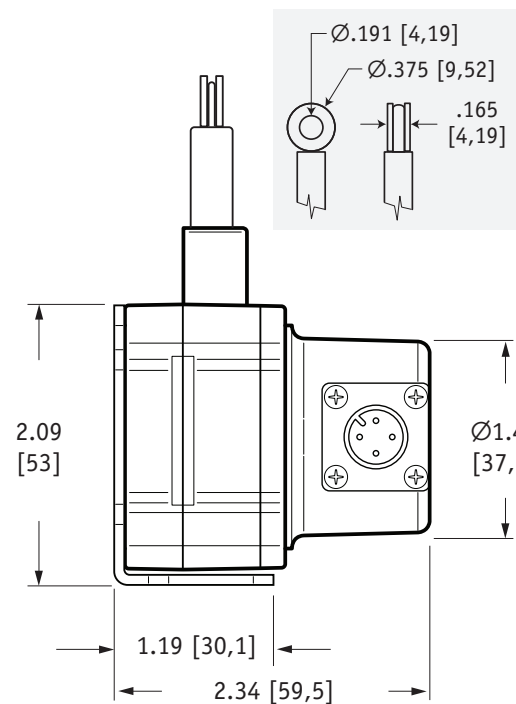
Front View (with bracket)



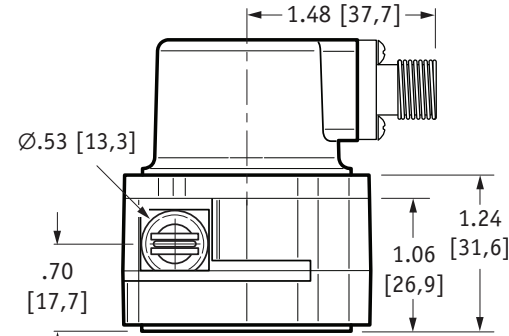
Side View (w/o bracket)



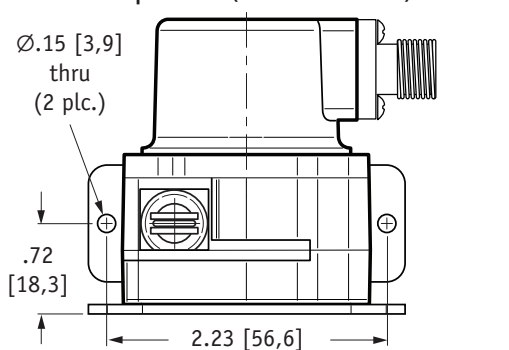
Side View (with bracket)



Top View (w/o bracket)



Top View (with bracket)



Specifications

Stroke Range Options: 4.75, 12.5, 25 and 50 inches
 Accuracy
 4.75-inch range: 1% fs.
 all others: .25% fs.
 Repeatability: \pm .05% fs.

Enclosure: polycarbonate
 Measuring Cable: .019-in. dia. nylon-coated stainless
 Measuring Cable Tension:
 4.75, 25, 50 in. Ranges 11.5 oz. (3,2 N), \pm 25%
 12.5 in. Range 13.9 oz. (3,7 N), \pm 25%
 Max Cable Acceleration: 11 g

Output Signal: user selectable 4..20mA or 0..10 VDC
 Input Voltage, 4..20mA option: 8-40 VDC
 Input Voltage, 0..10 VDC option: 12-32 VDC
 Sensor: plastic hybrid potentiometer
 Recommended maximum input voltage 30V (AC/DC)
 Operating Temp: -40°-160°F (-40° to 70°C)

Complete Specs: celesco.com/_datasheets/spd.pdf