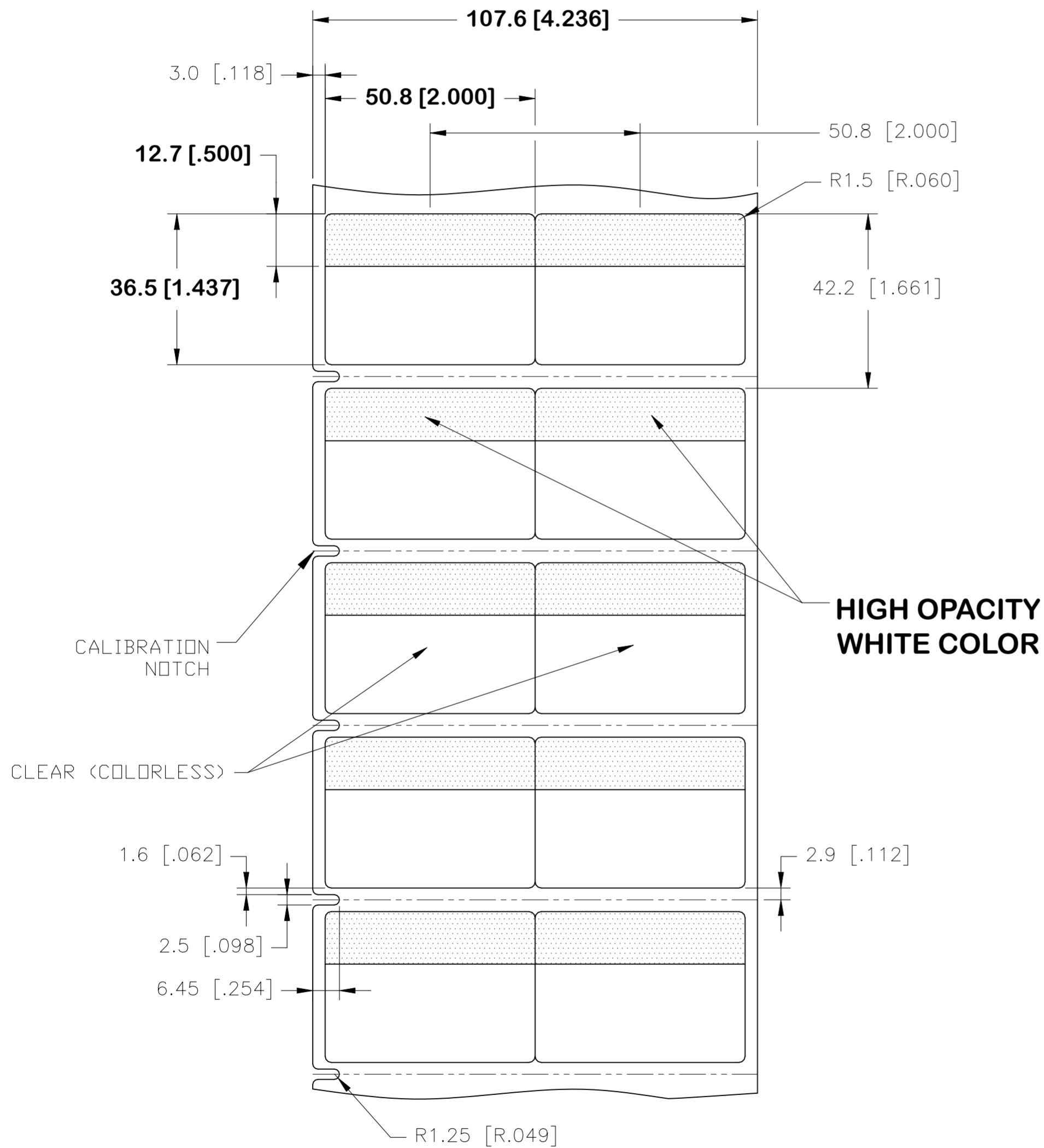
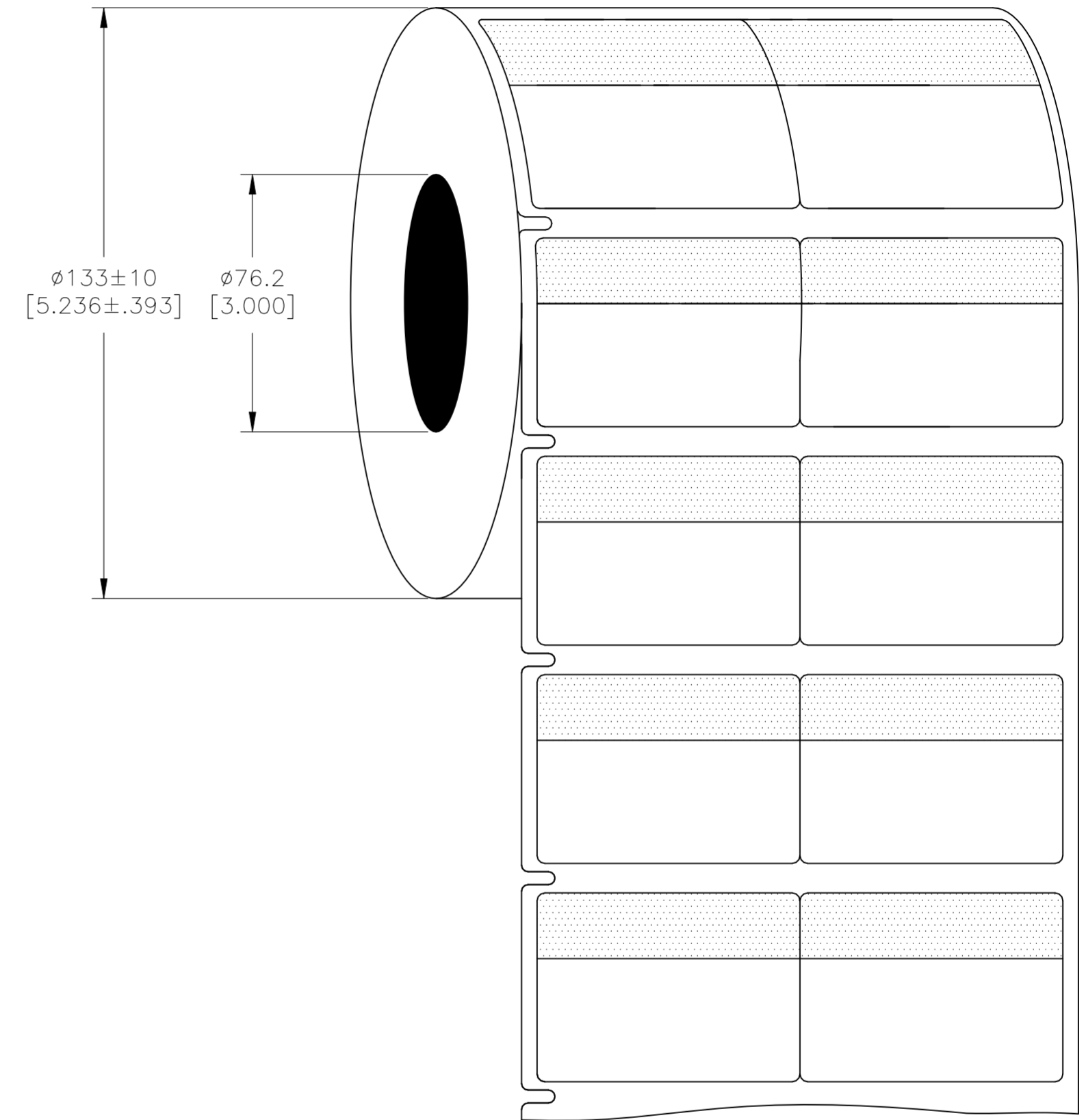


| REVISIONS | | | | | |
|-----------|-----|-----------------|-----------|-----|------|
| P | LTR | DESCRIPTION | DATE | DWN | APVD |
| F1 | | UL LABEL CHANGE | 03JUL2024 | GSK | DB |

LABEL AND LINER DESIGN



PRESENTATION



OUTSIDE WOUND LABEL ACROSS: 2 PER ROLL QTY: 2500

All dimensions in mm [Inch]

TE PN: CN9932-000

| | |
|--|----------------------|
| UL-MARKING AND LABELLING SYSTEMS | |
| PGCT2 - Flag Labels, Flag Tags, Wrap-around Labels & Related Products - Component | |
| PGCT8 - Flag Labels, Flag Tags, Wrap-around Labels & Related Products Certified for Canada - Component | |
| File: MH65661 | Model N°: SBP |

| | |
|----------------------|--------------|
| TOLERANCES mm [INCH] | |
| LABEL HEIGHT: | ±0.3 [.012] |
| LABEL WIDTH: | ±0.3 [.012] |
| WEB WIDTH: | ±0.8 [.031] |
| VERTICAL REPEAT: | ±0.8 [.031]* |
| HORIZONTAL REPEAT: | ±0.8 [.031]* |
| PRINT POSITIONING: | ±0.8 [.031]* |
| LEFT MARGIN: | ±0.4 [.016] |
| QUANTITY: | -0 % +2 % |
| *NON ACCUMULATING | |

| | |
|--|--|
| THIS DRAWING IS A CONTROLLED DOCUMENT. | |
| DIMENSIONS: mm [INCHES] | TOLERANCES UNLESS OTHERWISE SPECIFIED: |
| 0 PLC ± | 1 PLC ± |
| 2 PLC ± | 3 PLC ± |
| 4 PLC ± | ANGLES ± |
| MATERIAL: SEE TABLE | FINISH: GLOSSY |

| | | |
|------------------------------------|----------------------------------|----------------------------------|
| MATERIAL: CLEAR VINYL | ADHESIVE TYPE: ACRYLIC PERMANENT | LINEAR: WHITE KRAFT |
| DWN: 20MAR2017 GOPALAKRISHNA HV | | TE Connectivity |
| CHK: 20MAR2017 D.BURGAT | | |
| APVD: 20MAR2017 D.BURGAT | | NAME: SBP LABEL - WHITE |
| PRODUCT SPEC: TIDS-211 | | 50.8 x 36.5mm [2.00 x 1.143inch] |
| APPLICATION SPEC: - | WEIGHT: 0.258g | SIZE: A2 |
| CUSTOMER DRAWING | SCALE: NTS | CAGE CODE: 00779 |
| DRAWING NO: SBP200143WE2.5 | SHEET: 1 of 1 | REV: F1 |